



Chipsmall Limited consists of a professional team with an average of over 10 year of expertise in the distribution of electronic components. Based in Hongkong, we have already established firm and mutual-benefit business relationships with customers from,Europe,America and south Asia,supplying obsolete and hard-to-find components to meet their specific needs.

With the principle of “Quality Parts,Customers Priority,Honest Operation,and Considerate Service”,our business mainly focus on the distribution of electronic components. Line cards we deal with include Microchip,ALPS,ROHM,Xilinx,Pulse,ON,Everlight and Freescale. Main products comprise IC,Modules,Potentiometer,IC Socket,Relay,Connector.Our parts cover such applications as commercial,industrial, and automotives areas.

We are looking forward to setting up business relationship with you and hope to provide you with the best service and solution. Let us make a better world for our industry!



Contact us

Tel: +86-755-8981 8866 Fax: +86-755-8427 6832

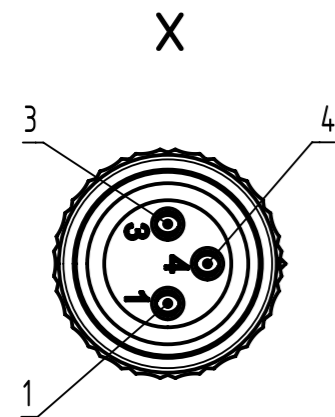
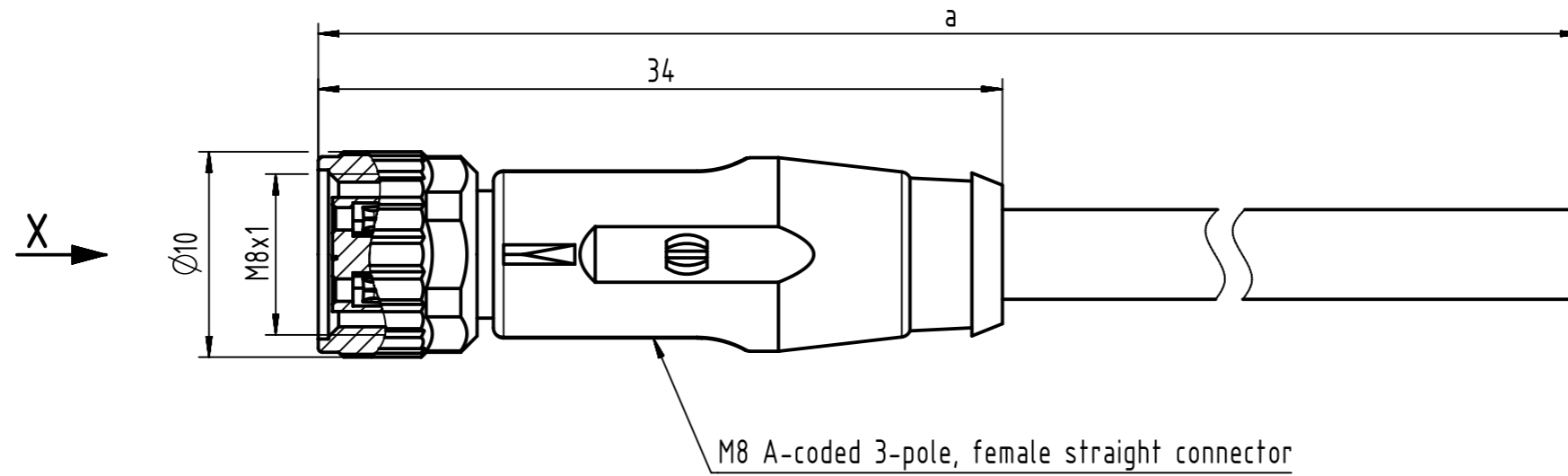
Email & Skype: info@chipsmall.com Web: www.chipsmall.com

Address: A1208, Overseas Decoration Building, #122 Zhenhua RD., Futian, Shenzhen, China



Connector Location A

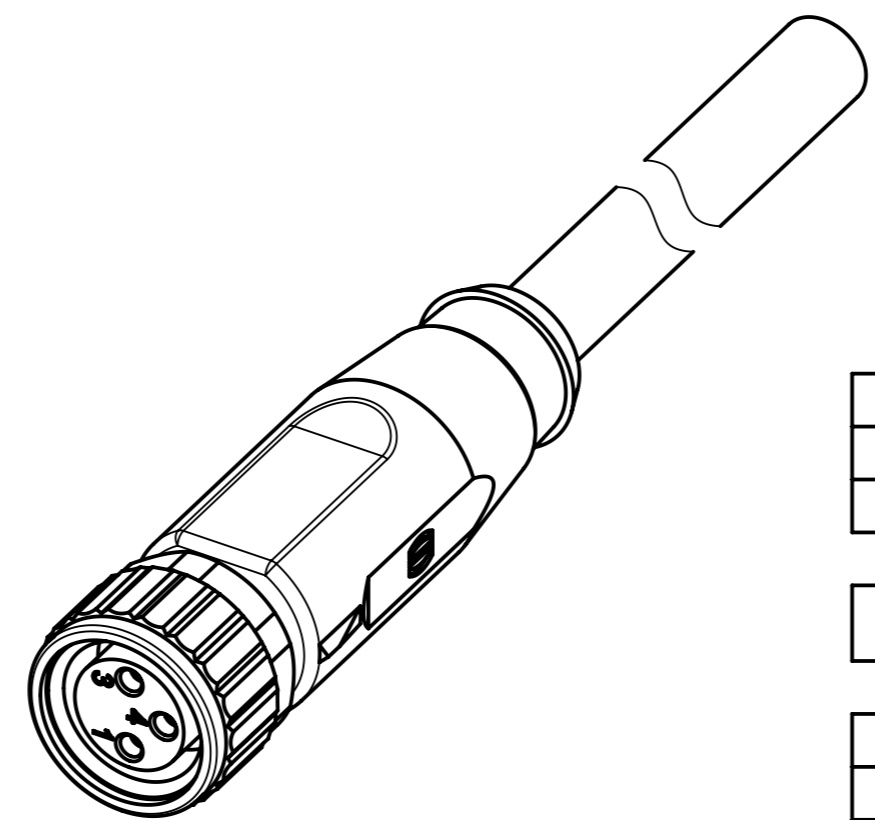
Connector Location B



Loading-Plan:

1 — brown
 3 — blue
 4 — black

- Protection level: IP67
 - Temperature range: -25°C ... +80°C



| | | |
|-----------------------|---------|---------|
| length in "1m" step | 40 | XXX=400 |
| | 39 | XXX=390 |
| | . | . |
| | 12 | XXX=120 |
| length in "0.1m" step | 11 | XXX=110 |
| | 10 | XXX=100 |
| | 9.9 | XXX=099 |
| | 9.8 | XXX=098 |
| | . | . |
| | 0.4 | XXX=004 |
| | 0.3 | XXX=003 |
| | 0.2 | XXX=002 |
| 0.1 | XXX=001 | |
| Step | a [m] | XXX |

| | |
|------------|-----------|
| 4.0 to 40 | +1% |
| 0.1 to 3.9 | +0.04 |
| a [m] | Tolerance |

| | |
|----------------------------------|----------------|
| Part no. | 213481003XXXXX |
| Type of cable | XX |
| PVC grey, 3x0.25mm ² | XX=80 |
| PUR black, 3x0.25mm ² | XX=88 |

| | | | | | | |
|--|---|------------------------|--------------------------|--|--------------------|------------------------|
| All rights reserved Department HCS - RO HARTING Customised Solutions D-32427 Minden | All Dimensions in mm Tech. Character. Free size tol. According to production drawing | Created by MUNTEANV | Inspected by COSTEA | Standardisation AVRAM | Date 2017-07-28 | State Final Release |
| | Title M8 A-coded Cable Assembly | Type TB | Number 213481003XXXXX | Doc-Key / ECM-Nr. 100577583/UGD/009/B 500000122973 | Rev. B | Page 1/1 |