



Chipsmall Limited consists of a professional team with an average of over 10 year of expertise in the distribution of electronic components. Based in Hongkong, we have already established firm and mutual-benefit business relationships with customers from,Europe,America and south Asia,supplying obsolete and hard-to-find components to meet their specific needs.

With the principle of “Quality Parts,Customers Priority,Honest Operation,and Considerate Service”,our business mainly focus on the distribution of electronic components. Line cards we deal with include Microchip,ALPS,ROHM,Xilinx,Pulse,ON,Everlight and Freescale. Main products comprise IC,Modules,Potentiometer,IC Socket,Relay,Connector.Our parts cover such applications as commercial,industrial, and automotives areas.

We are looking forward to setting up business relationship with you and hope to provide you with the best service and solution. Let us make a better world for our industry!



Contact us

Tel: +86-755-8981 8866 Fax: +86-755-8427 6832

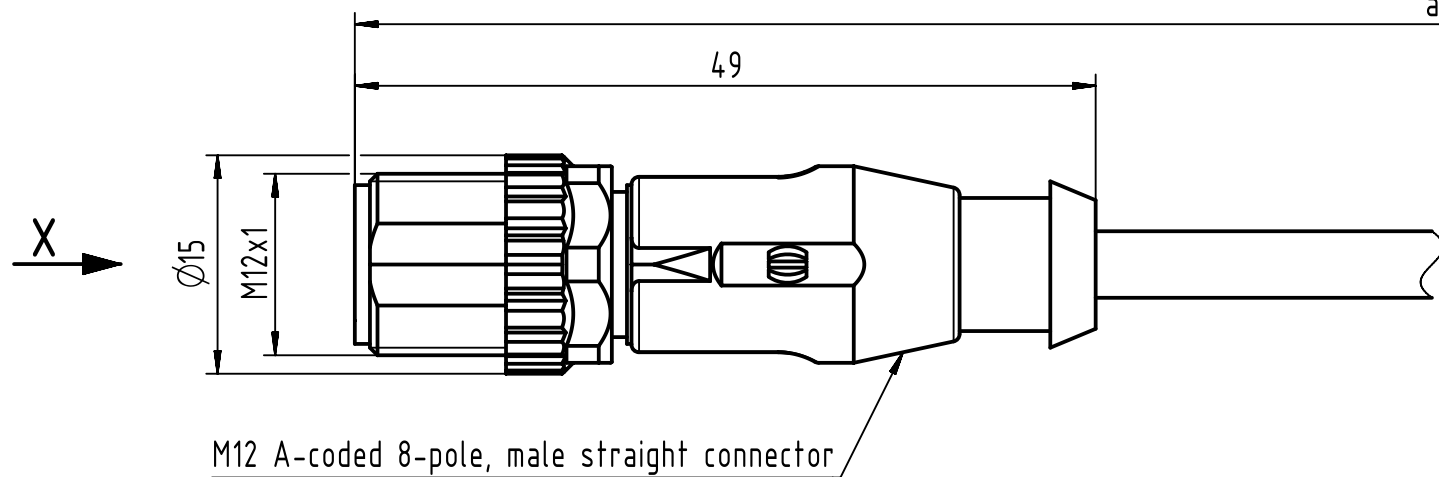
Email & Skype: info@chipsmall.com Web: www.chipsmall.com

Address: A1208, Overseas Decoration Building, #122 Zhenhua RD., Futian, Shenzhen, China

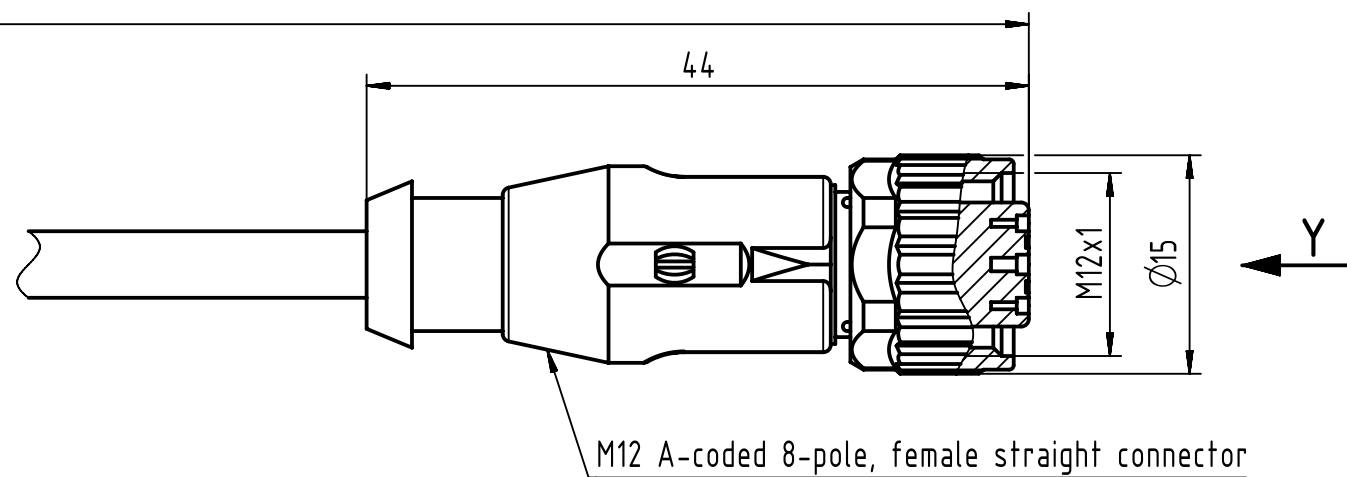


Connector Location A

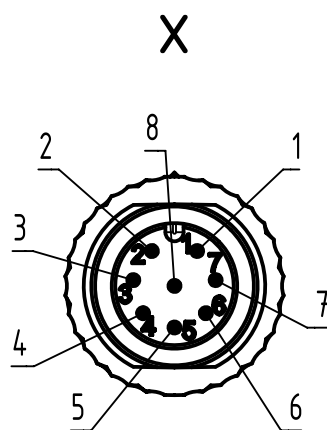
Connector Location B



M12 A-coded 8-pole, male straight connector

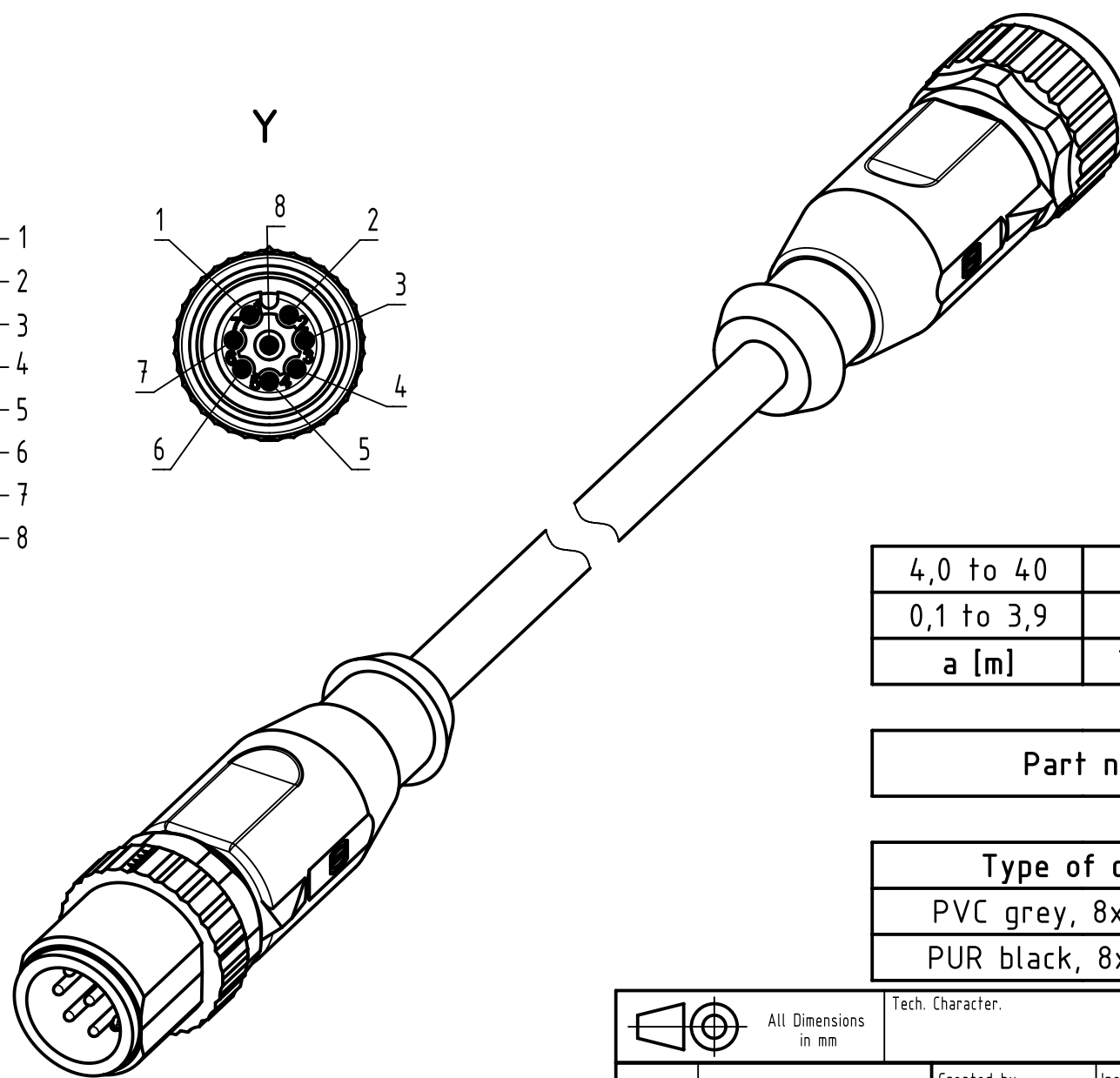
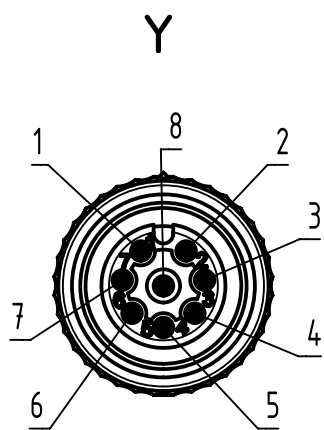


M12 A-coded 8-pole, female straight connector



Loading-Plan:

- | | | |
|---|--------|---|
| 1 | white | 1 |
| 2 | brown | 2 |
| 3 | green | 3 |
| 4 | yellow | 4 |
| 5 | grey | 5 |
| 6 | pink | 6 |
| 7 | blue | 7 |
| 8 | red | 8 |



length in "1m" step	40	XXX=400
	39	XXX=390
	.	.
	12	XXX=120
length in "0,1m" step	11	XXX=110
	10	XXX=100
	9,9	XXX=099
	9,8	XXX=098
	.	.
Step	0,4	XXX=004
	0,3	XXX=003
	0,2	XXX=002
	0,1	XXX=001
	a [m]	XXX,

4,0 to 40	+1%
0,1 to 3,9	+0,04
a [m]	Tolerance

Part no.	213484858XXXXX
----------	----------------

Type of cable	XX
PVC grey, 8x0.25mm ²	XX=82
PUR black, 8x0.25mm ²	XX=70

- Protection level: IP67
- Temperature range: -25°C ... +80°C

	All rights reserved	Created by POPESCU	Inspected by TAMAS	Standardisation COSTEA	Date 2016-12-16	State Final Release	
	Department HCS - RO	Title M12 A-coded Cable Assembly				Doc-Key / ECM-Nr. 100578827/UGD/009/E 500000112808	
HARTING Customised Solutions D-32427 Minden		Type TB	Number 213484858XXXXX			Rev. E	Page 1/1