



Chipsmall Limited consists of a professional team with an average of over 10 year of expertise in the distribution of electronic components. Based in Hongkong, we have already established firm and mutual-benefit business relationships with customers from,Europe,America and south Asia,supplying obsolete and hard-to-find components to meet their specific needs.

With the principle of “Quality Parts,Customers Priority,Honest Operation,and Considerate Service”,our business mainly focus on the distribution of electronic components. Line cards we deal with include Microchip,ALPS,ROHM,Xilinx,Pulse,ON,Everlight and Freescale. Main products comprise IC,Modules,Potentiometer,IC Socket,Relay,Connector.Our parts cover such applications as commercial,industrial, and automotives areas.

We are looking forward to setting up business relationship with you and hope to provide you with the best service and solution. Let us make a better world for our industry!



Contact us

Tel: +86-755-8981 8866 Fax: +86-755-8427 6832

Email & Skype: info@chipsmall.com Web: www.chipsmall.com

Address: A1208, Overseas Decoration Building, #122 Zhenhua RD., Futian, Shenzhen, China



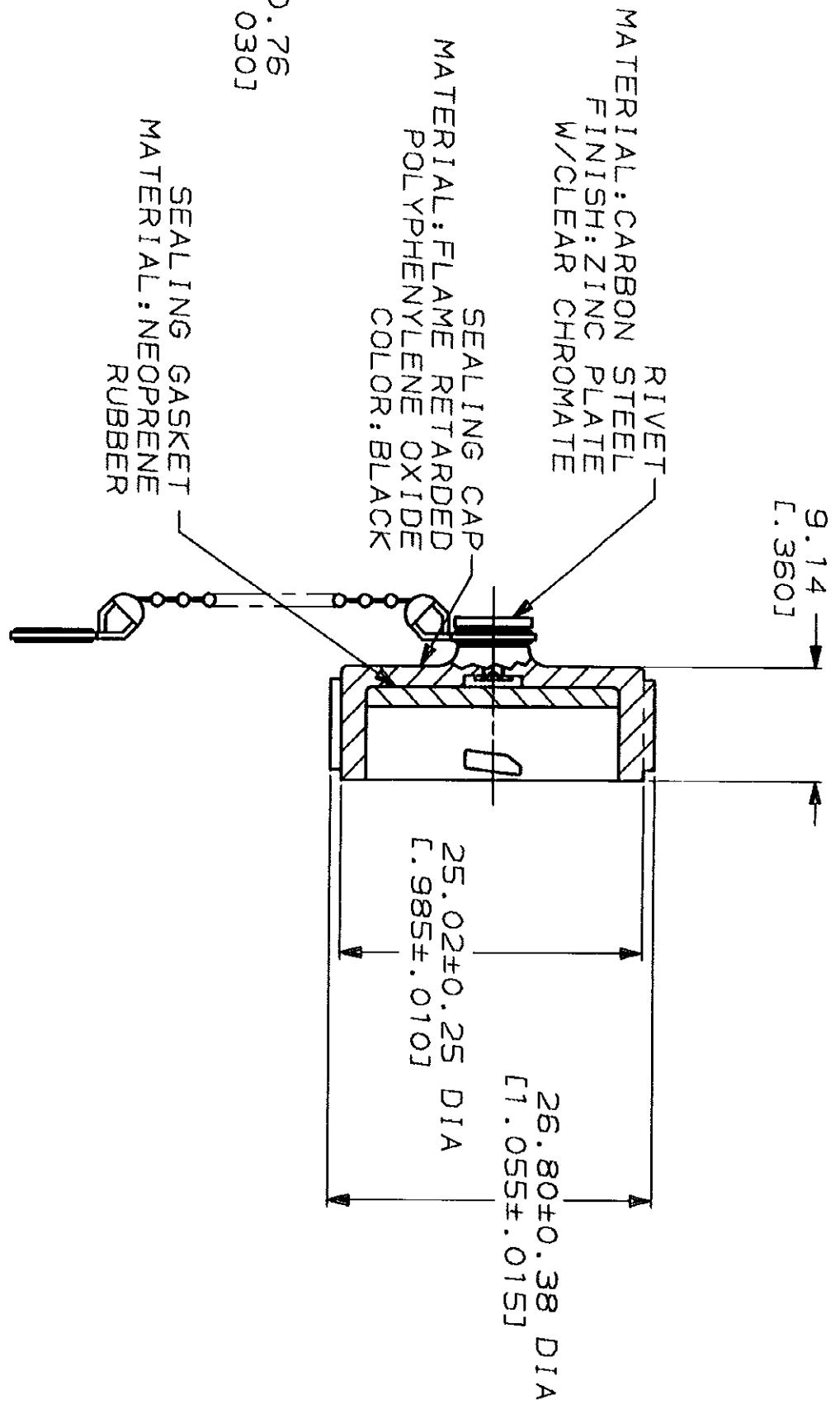
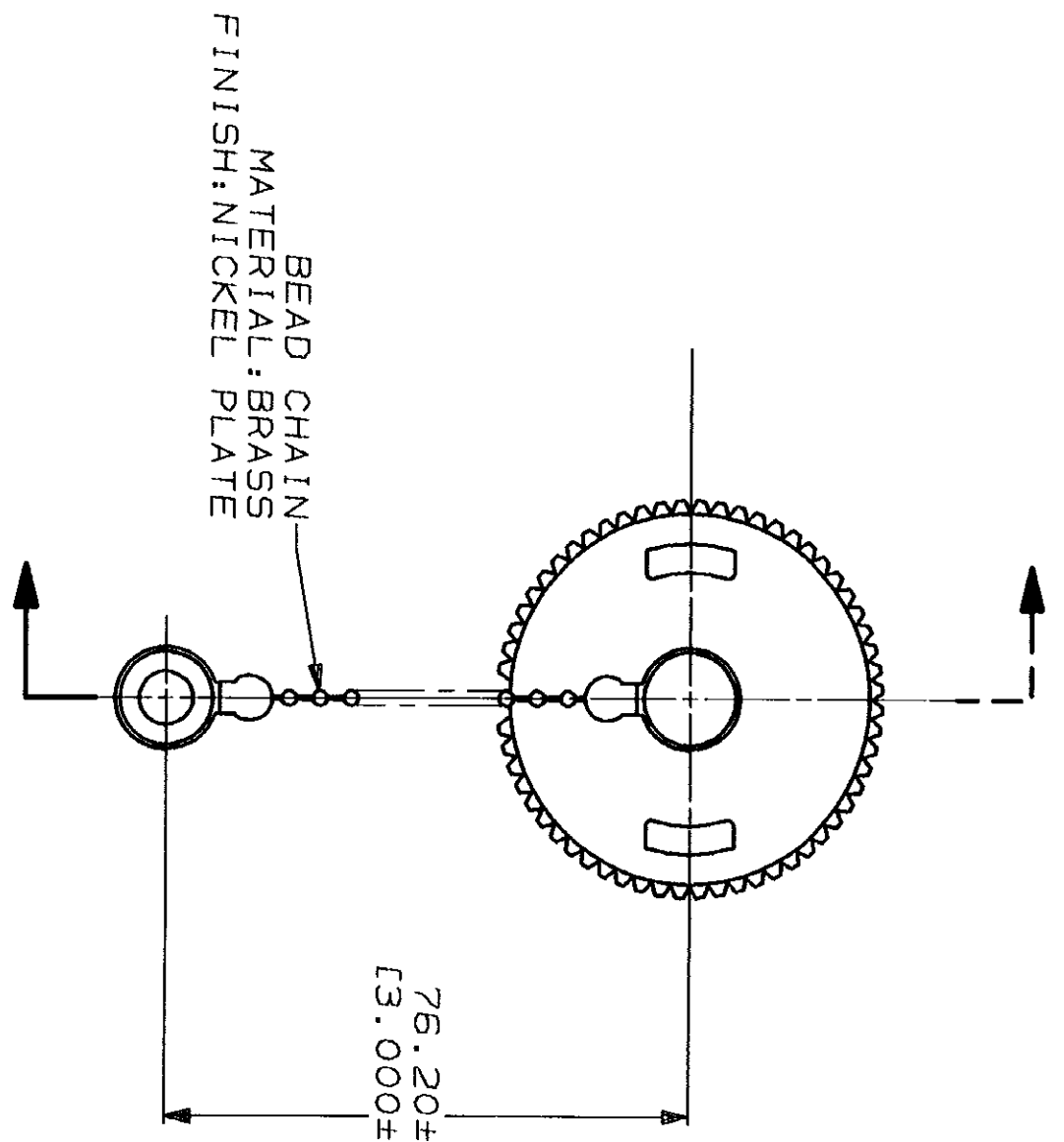
THIS DRAWING IS UNPUBLISHED. RELEASED FOR PUBLICATION
BY AMP INCORPORATED. ALL INTERNATIONAL RIGHTS RESERVED.

MOD 4
LOC BD
DIST 35

P F
ZONE LTR
A

REVISIONS
DESCRIPTION
REDRAWN & REV PER EC 0020-680-93

DATE 6-9-93
APPD AF



THIS DRAWING IS A CONTROLLED DOCUMENT FOR AMP INCORPORATED. IT IS SUBJECT TO CHANGE AND THE CONTROLLING ENGINEERING ORGANIZATION SHOULD BE CONTACTED FOR THE LATEST REVISION.

DO NOT SCALE PRINT. UNLESS SPECIFIED DIMENSIONS IN MM (INCHES) TOLERANCES ON: 2 PLC DEC # 0.13(.005) 3 PLC DEC # - ANGLES -	DR 6-9-93 D.BROCKWAY	AMP	PART NO
MATERIAL SEE CALLOUTS	CHK 7-1-93 R. STONE	AMP INCORPORATED HARRISBURG, PA 17105-3608	213485-1
FINISH SEE CALLOUTS	APPD 7-1-93 AL FRANTUM	NAME SEALING CAP ASSY, SIZE 13, W BEAD CHAIN, CPC	PART NUMBER
APPLICATION SPEC	APPD 7-1-93 AL FRANTUM	SIZE B	CAGE CODE 00779
WEIGHT -	PRODUCT SPEC	SCALE 2:1	DRAWING NO G-213485
			SHEET 1 OF 1

AMP 1470-15 REV 3-92

CUSTOMER DRAWING