



Chipsmall Limited consists of a professional team with an average of over 10 year of expertise in the distribution of electronic components. Based in Hongkong, we have already established firm and mutual-benefit business relationships with customers from,Europe,America and south Asia,supplying obsolete and hard-to-find components to meet their specific needs.

With the principle of “Quality Parts,Customers Priority,Honest Operation,and Considerate Service”,our business mainly focus on the distribution of electronic components. Line cards we deal with include Microchip,ALPS,ROHM,Xilinx,Pulse,ON,Everlight and Freescale. Main products comprise IC,Modules,Potentiometer,IC Socket,Relay,Connector.Our parts cover such applications as commercial,industrial, and automotives areas.

We are looking forward to setting up business relationship with you and hope to provide you with the best service and solution. Let us make a better world for our industry!



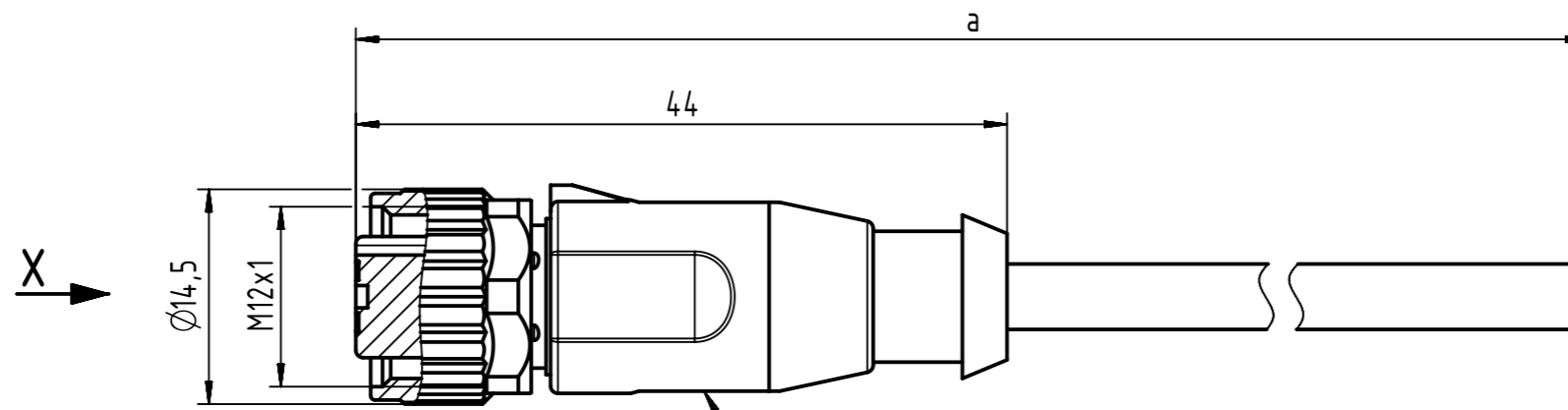
Contact us

Tel: +86-755-8981 8866 Fax: +86-755-8427 6832

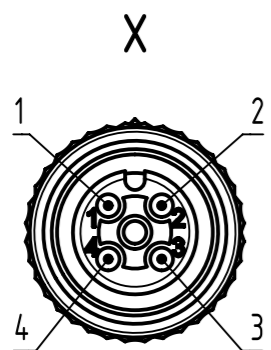
Email & Skype: info@chipsmall.com Web: www.chipsmall.com

Address: A1208, Overseas Decoration Building, #122 Zhenhua RD., Futian, Shenzhen, China



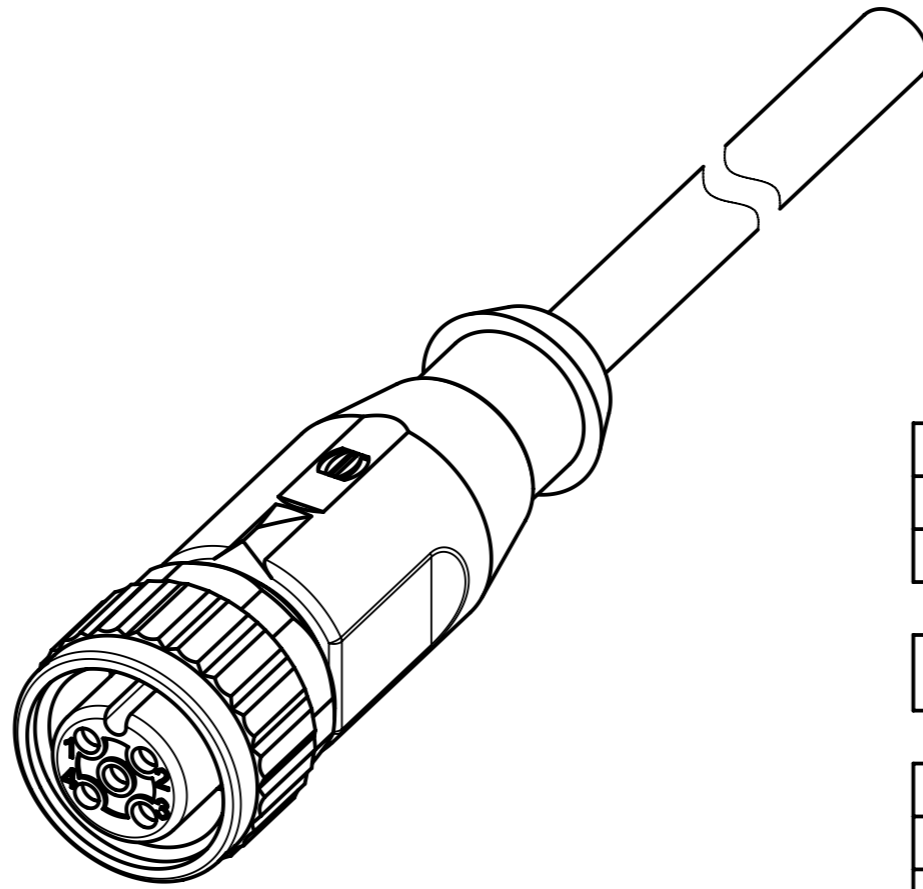


M12 A-coded 4-pole, female straight connector
for technical details see DS 21035001004



- Loading-Plan:**
- 1 — brown
 - 2 — white
 - 3 — blue
 - 4 — black

- Protection level: IP67
- Temperature range: -25°C ... +80°C



length in "1m" step	40	XXX=400
	39	XXX=390
	12	XXX=120
	11	XXX=110
length in "0.1m" step	10	XXX=100
	9.9	XXX=099
	9.8	XXX=098
	0.4	XXX=004
	0.3	XXX=003
	0.2	XXX=002
	0.1	XXX=001
Step	a [m]	XXX

4.0 to 40	+1%
0.1 to 3.9	+0.04
a [m]	Tolerance

Part no.	213485004XXXXX
-----------------	----------------

Type of cable	XX
PVC grey, 4x0.34mm ²	XX=84
PUR black, 4x0.34mm ²	XX=91

	All rights reserved		Created by POPESCUD		Inspected by AVRAM		Standardisation HOFFMANN		Date 2015-12-17		State Final Release	
	Department EC PD - RO		Title M12 A-coded Cable Assembly		Doc-Key / ECM-Nr. 100578831/UGD/009/B 50000098541		Rev. B		Page 1/1			
HARTING Electronics GmbH		Type TB		Number 213485004XXXXX								
D-32339 Espelkamp												