



Chipsmall Limited consists of a professional team with an average of over 10 year of expertise in the distribution of electronic components. Based in Hongkong, we have already established firm and mutual-benefit business relationships with customers from,Europe,America and south Asia,supplying obsolete and hard-to-find components to meet their specific needs.

With the principle of “Quality Parts,Customers Priority,Honest Operation,and Considerate Service”,our business mainly focus on the distribution of electronic components. Line cards we deal with include Microchip,ALPS,ROHM,Xilinx,Pulse,ON,Everlight and Freescale. Main products comprise IC,Modules,Potentiometer,IC Socket,Relay,Connector.Our parts cover such applications as commercial,industrial, and automotives areas.

We are looking forward to setting up business relationship with you and hope to provide you with the best service and solution. Let us make a better world for our industry!



Contact us

Tel: +86-755-8981 8866 Fax: +86-755-8427 6832

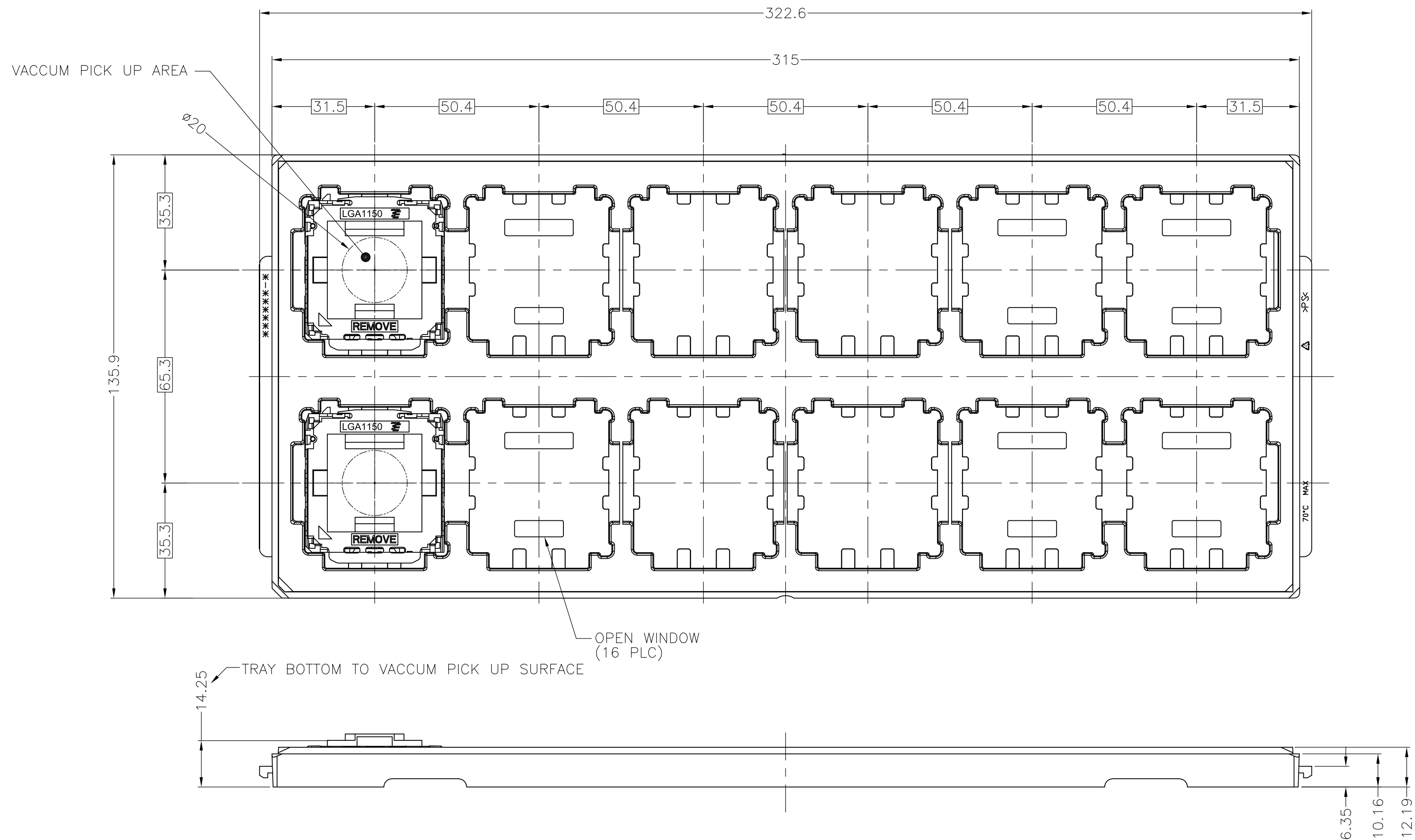
Email & Skype: info@chipsmall.com Web: www.chipsmall.com

Address: A1208, Overseas Decoration Building, #122 Zhenhua RD., Futian, Shenzhen, China



THIS DRAWING IS UNPUBLISHED. RELEASED FOR PUBLICATION MAR , 2011.
 © COPYRIGHT 2011 By Tyco Electronics Japan G.K. ALL RIGHTS RESERVED.

LOC	DIST	REVISONS		
J	-	P	LTR	DESCRIPTION
		C	REVISED	DATE DWN APVD
				08DEC2014 J.W C.W



- NOTES:
- MATERIAL
 - HOUSING : HIGH TEMP, THERMO-PLASTIC, UL94V-0, BLACK
 - CONTACT : COPPER ALLOY
FINISH : Au PL. AT CONTACT AREA ON OVERALL OVER Ni UNDER PL. 0.00127 MIN.
 - SOLDER BALL : Sn/Ag/Cu
 - CAP : HIGH TEMP. THERMO-PLASTIC, UL94V-0, BLACK
 - INDICATED DATE CODE ON THE HSG

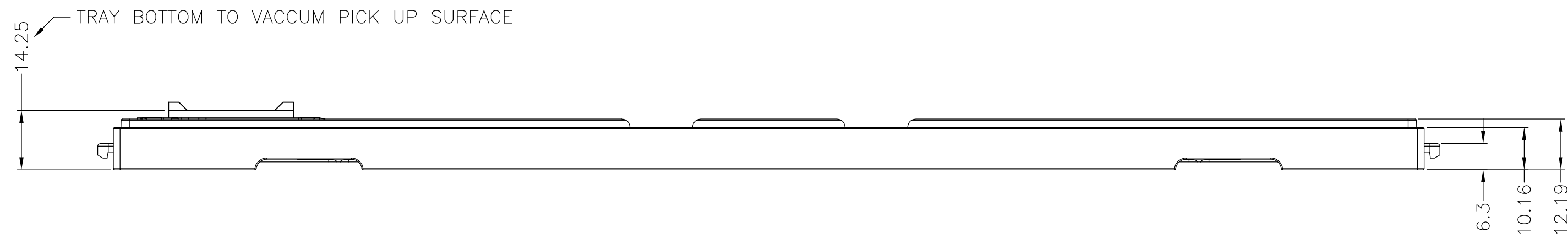
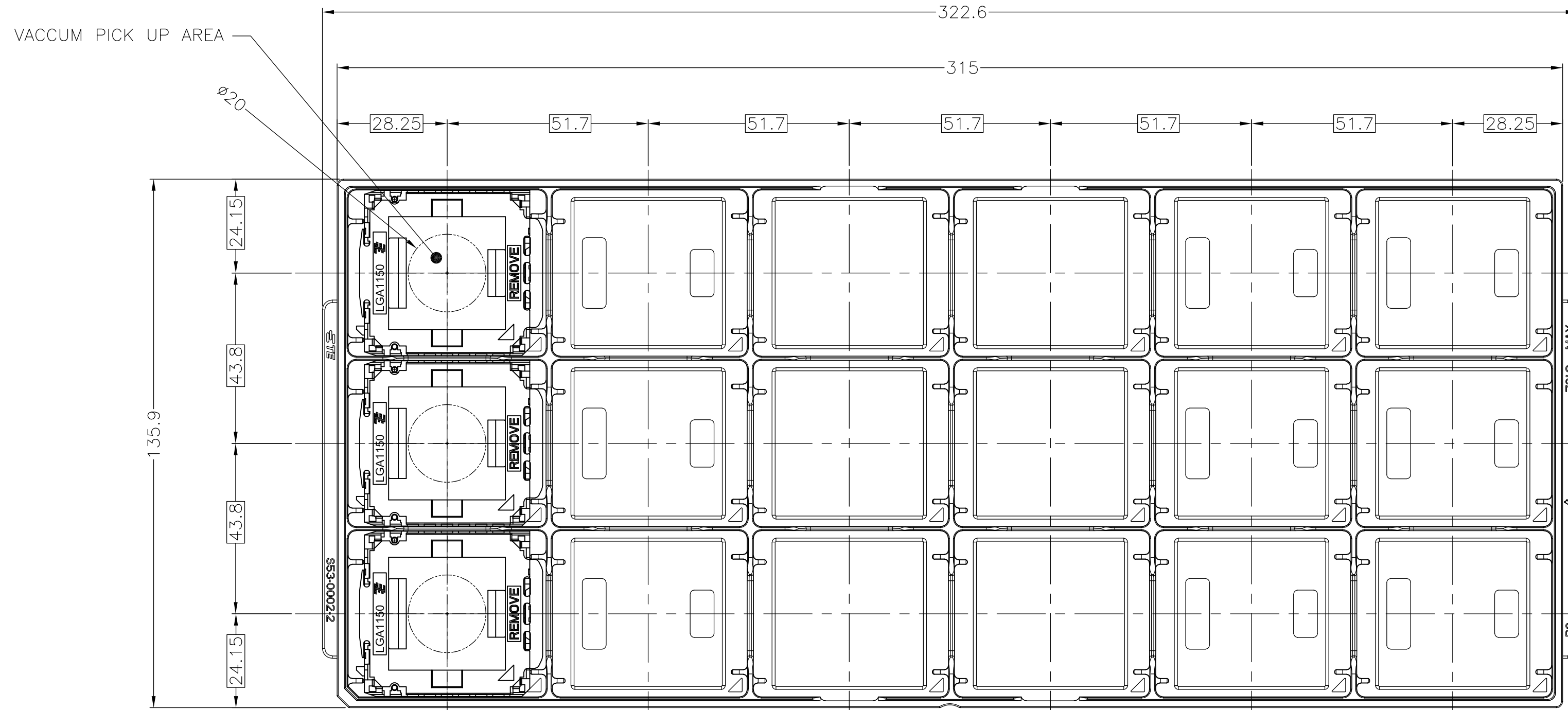
2134928-1,-2,-3: AS SHOWN

2134928-3	0.76 um MIN Au PL
2134928-2	0.10 um MIN Au PL
2134928-1	0.38 um MIN Au PL
PART NUMBER	DESCRIPTION

THIS DRAWING IS A CONTROLLED DOCUMENT.		DWN	RICK.ZHAO	04JUL2013		TE Connectivity	
DIMENSIONS: 单位: 毫米 mm		CHK	H.TAGUCHI	04JUL2013		NAME 名称	
TOLERANCES UNLESS OTHERWISE SPECIFIED: 一般公差		APVD	T.NAKASHIMA	07JUL2013	SOCKET ASSY		
0-PLC ± ±0.5		PRODUCT SPEC	108-78586	LGA1150		RESTRICTED TO	
1-PLC ± ±3°		APPLICATION SPEC	114-5444	SIZE	CAGE CODE		DRAWING NO 番号
2-PLC ± ±		WEIGHT	9.8g	A2	00779	C=2134928	
3-PLC ± ±		CUSTOMER DRAWING		SCALE 尺度	1:1	SHEET 1 of 6	
4-PLC ± ±				REV	C		
ANGLES							
FINISH 仕上							

THIS DRAWING IS UNPUBLISHED. RELEASED FOR PUBLICATION MAR , 2011.
 © COPYRIGHT 2011 By Tyco Electronics Japan G.K. ALL RIGHTS RESERVED.

LOC	DIST	REVISONS					
J	-	P	LTR	DESCRIPTION	DATE	DWN	APVD
		-	-	SEE SHEET 1	-	-	-



1-2134928-3	0.76 um MIN Au PL
1-2134928-2	0.10 um MIN Au PL
1-2134928-1	0.38 um MIN Au PL
PART NUMBER	DESCRIPTION

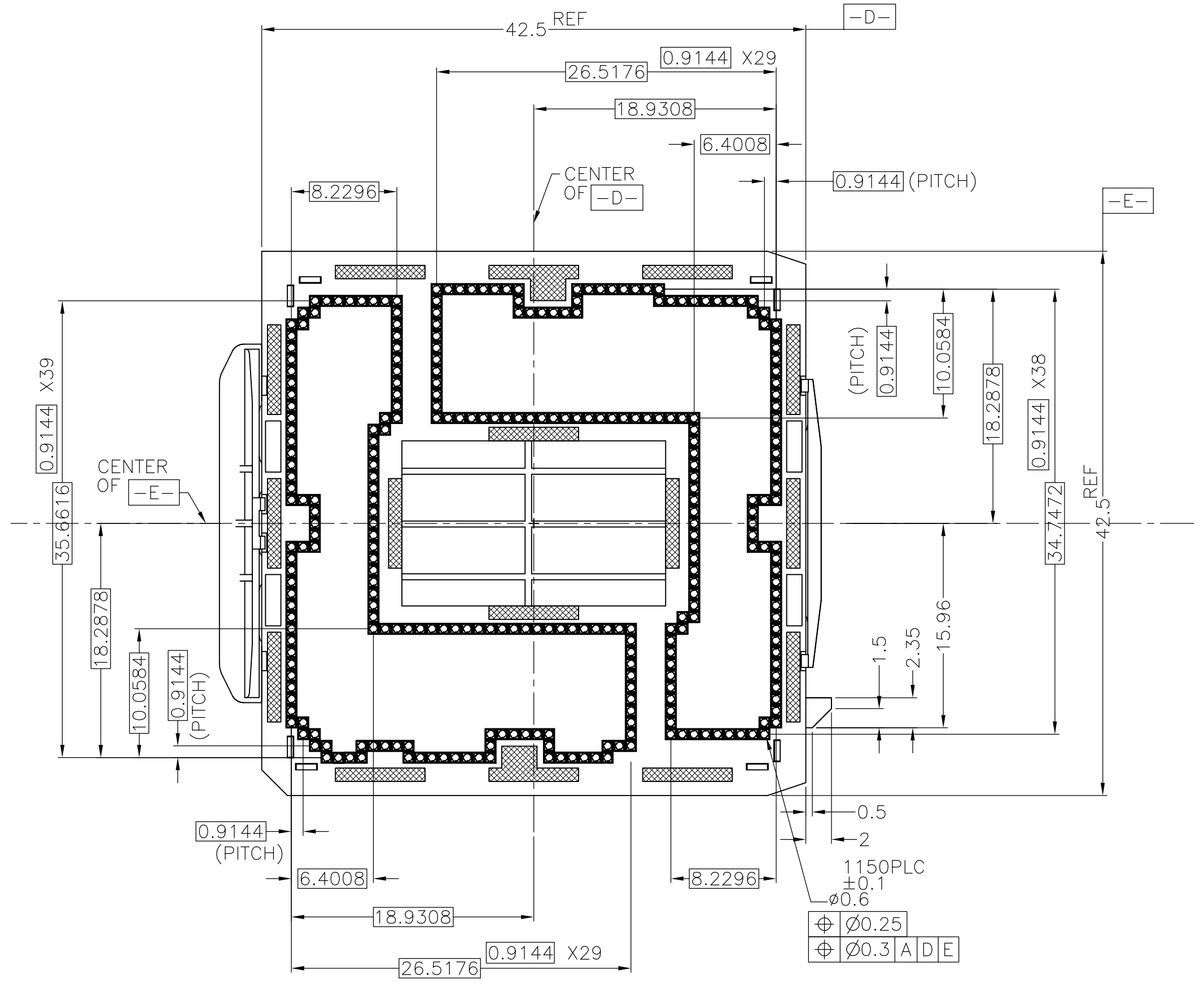
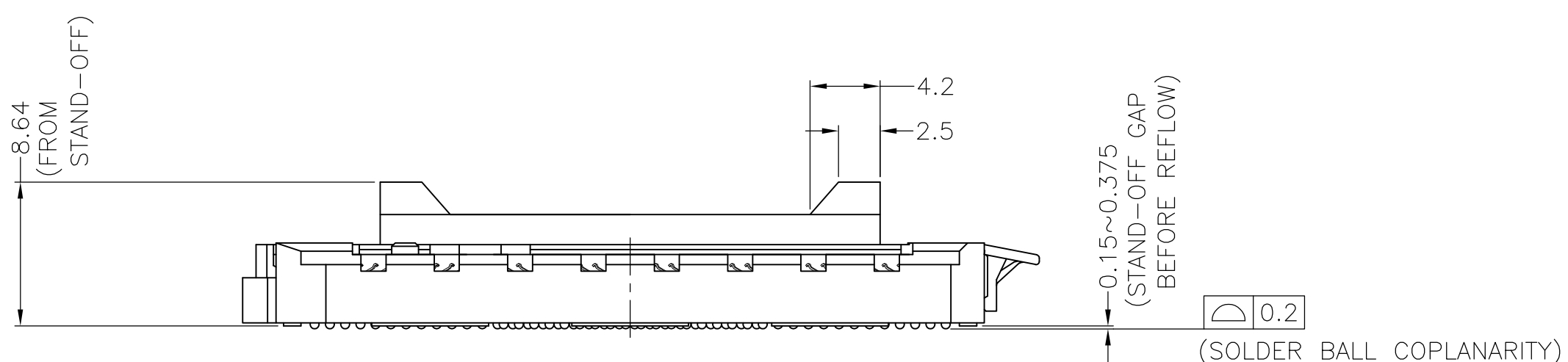
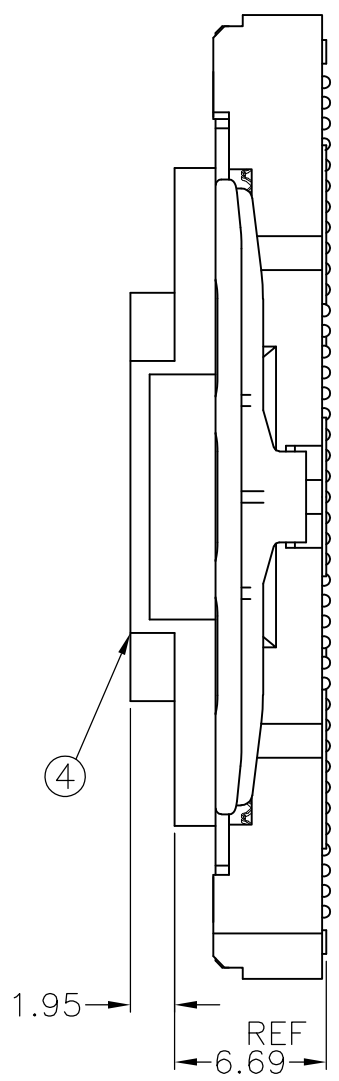
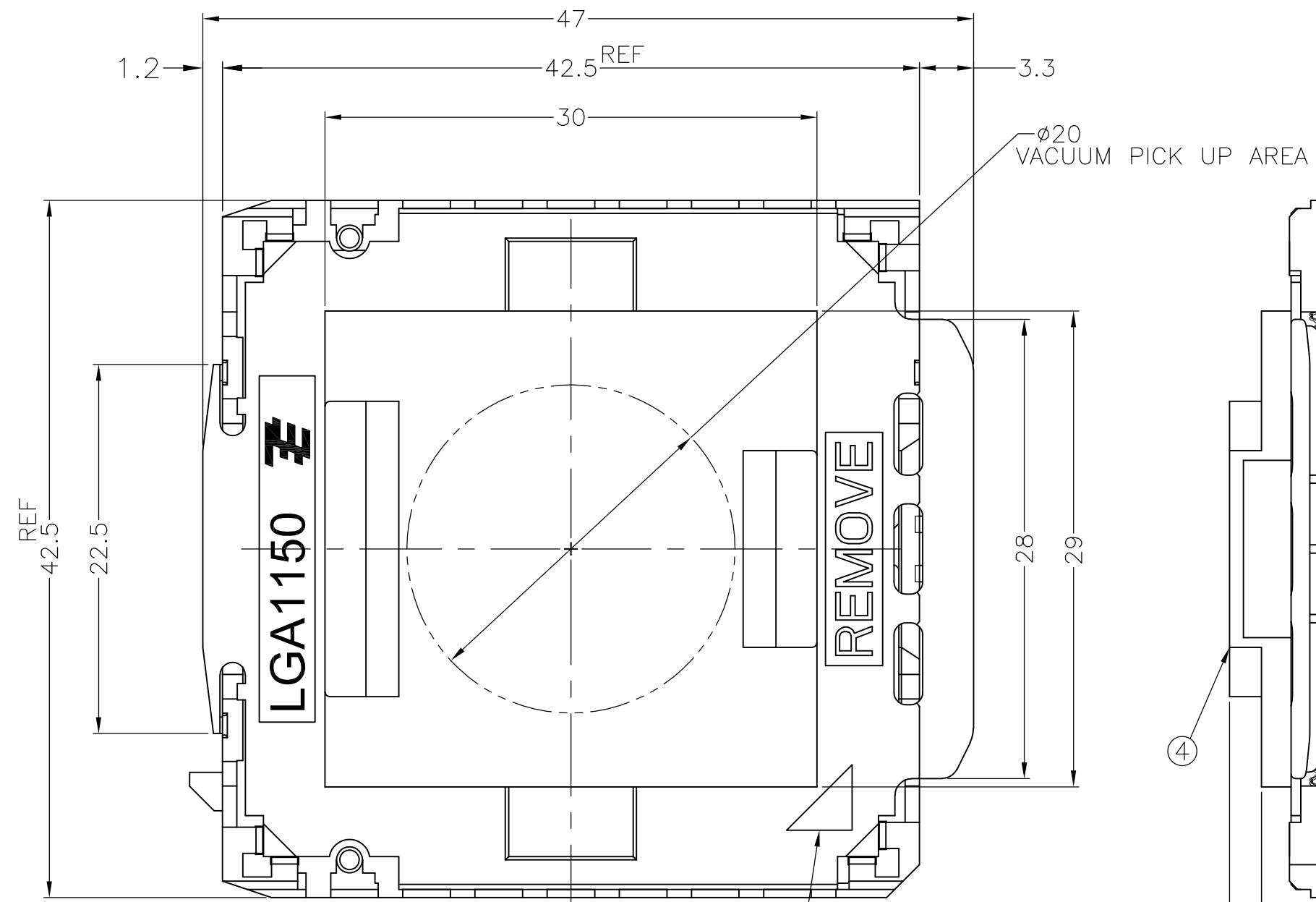
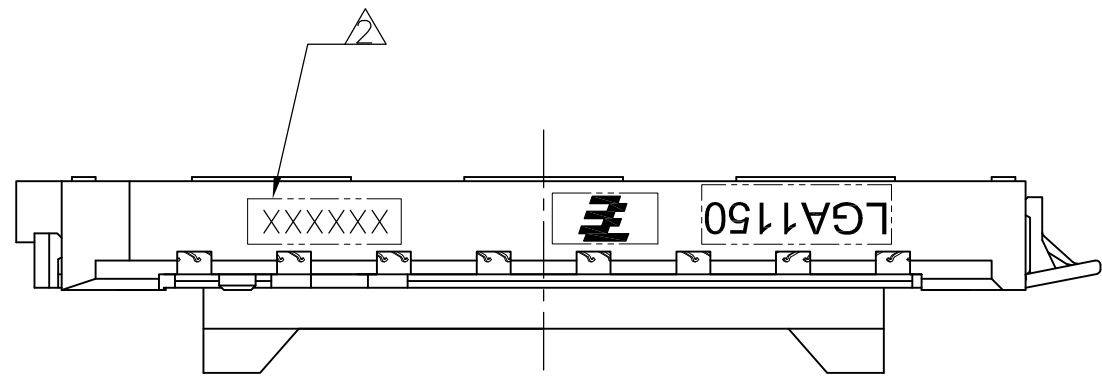
1-2134928-1,-2,-3: AS SHOWN

THIS DRAWING IS A CONTROLLED DOCUMENT.		DWN	TE Connectivity	
DIMENSIONS: 单位: 毫米 mm	TOLERANCES UNLESS OTHERWISE SPECIFIED: 一般公差	CHK	NAME 名称	
0 PLG ± 0.5	1 PLG ± 0.5	APVD	SOCKET ASSY	
2 PLG ± 3°	3 PLG ± 3°	PRODUCT SPEC	LGA1150	
4 PLG ± 3°	ANGLES ±	APPLICATION SPEC	SIZE	CAGE CODE
MATERIAL 材料	FINISH 仕上	WEIGHT	A2	00779
		CUSTOMER DRAWING	DRAWING NO 番号	RESTRICTED TO
			C=2134928	-
			SCALE 尺度 1:1	SHEET 2 of 6
				REV C

2134928

THIS DRAWING IS UNPUBLISHED. RELEASED FOR PUBLICATION
 © COPYRIGHT - By Tyco Electronics Japan G.K. ALL RIGHTS RESERVED.

LOC		DIST		REVISIONS			
P	LTR	DESCRIPTION		DATE	DWN	APVD	
-	-	SEE SHEET 1		-	-	-	

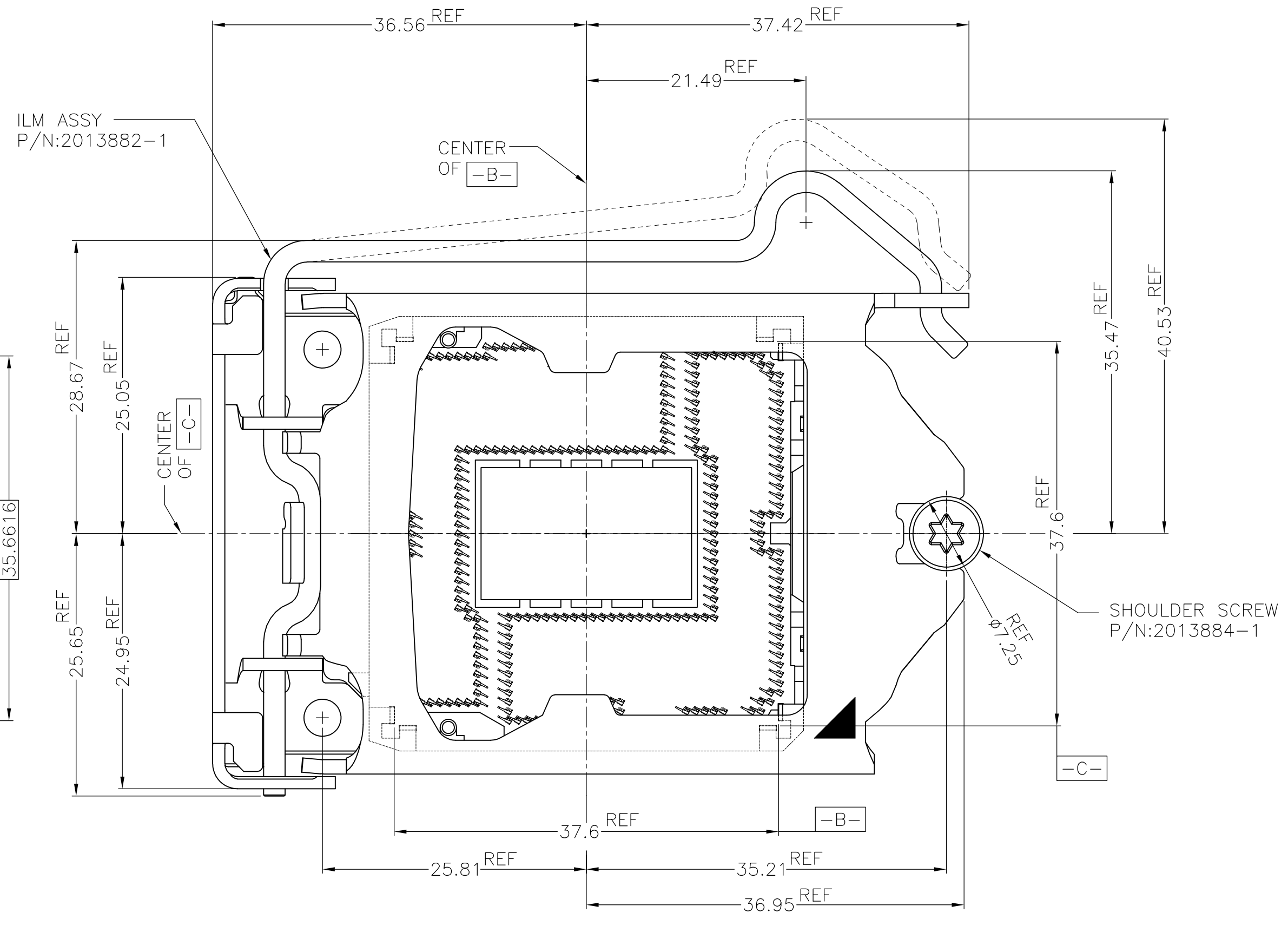
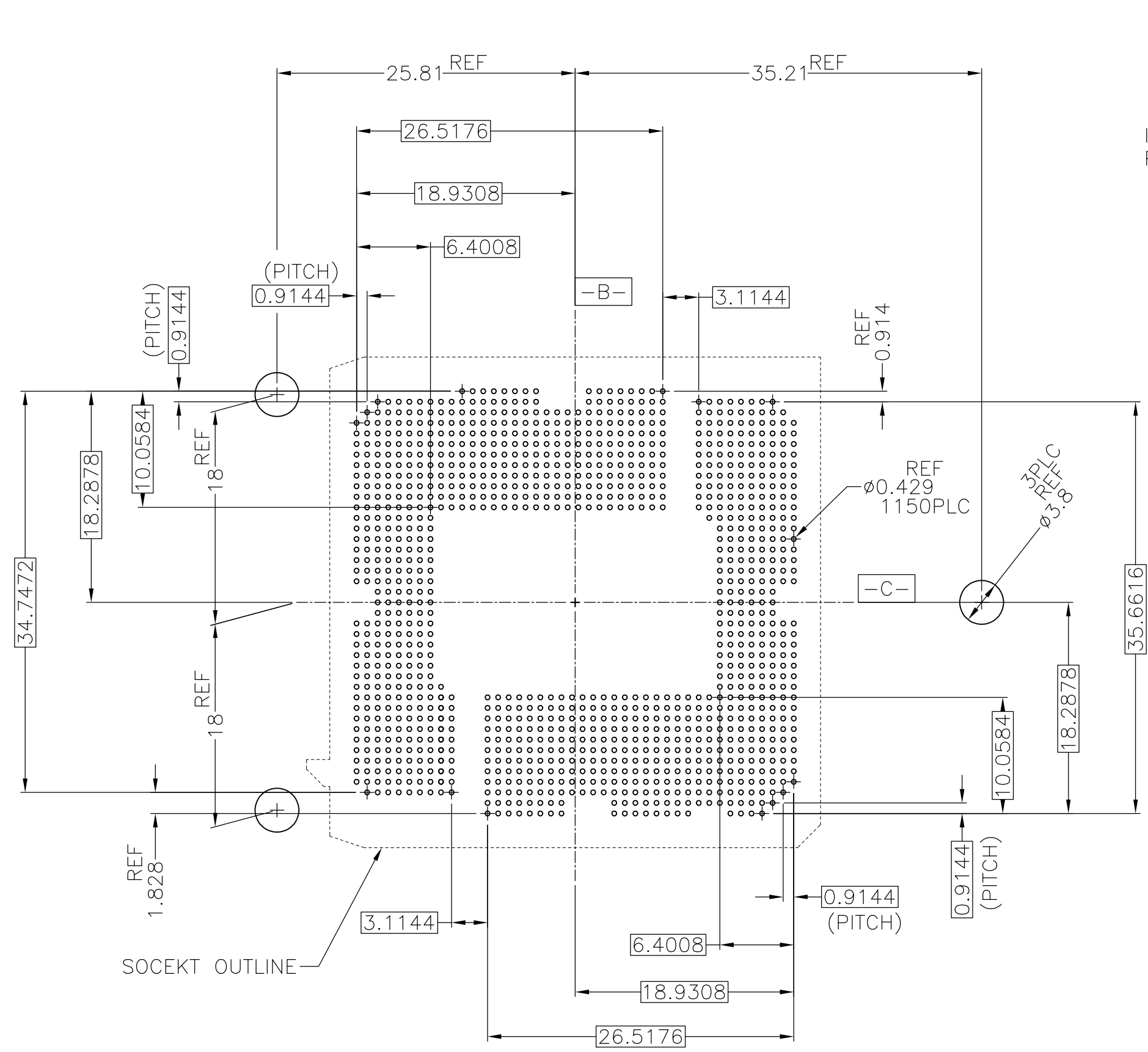


2134928-*, 1-2134928-*: AS SHOWN

THIS DRAWING IS A CONTROLLED DOCUMENT.		DWN	TE Connectivity	
DIMENSIONS: 单位: 毫米 mm		CHK		
TOLERANCES UNLESS OTHERWISE SPECIFIED: 一般公差		APVD	NAME 名称	
0-PLC ± ±0.3 1-PLC ± ±0.3 2-PLC ± ±0.3 3-PLC ± ±0.3 4-PLC ± ±0.3 ANGLES ±		PRODUCT SPEC 製品規格	SOCKET ASSY LGA1150	
MATERIAL 材料		APPLICATION SPEC 取付適用規格	SIZE A2	CAGE CODE 00779
FINISH 仕上		WEIGHT -	DRAWING NO 番号 C=2134928	RESTRICTED TO -
		CUSTOMER DRAWING	SCALE 尺度 NTS	SHEET 3 OF 6
			REV C	

THIS DRAWING IS UNPUBLISHED. RELEASED FOR PUBLICATION
 © COPYRIGHT - By Tyco Electronics Japan G.K. ALL RIGHTS RESERVED.

LOC	DIST	REVISIONS			
P	LTR	DESCRIPTION	DATE	DWN	APVD
-	-	SEE SHEET 1	-	-	-

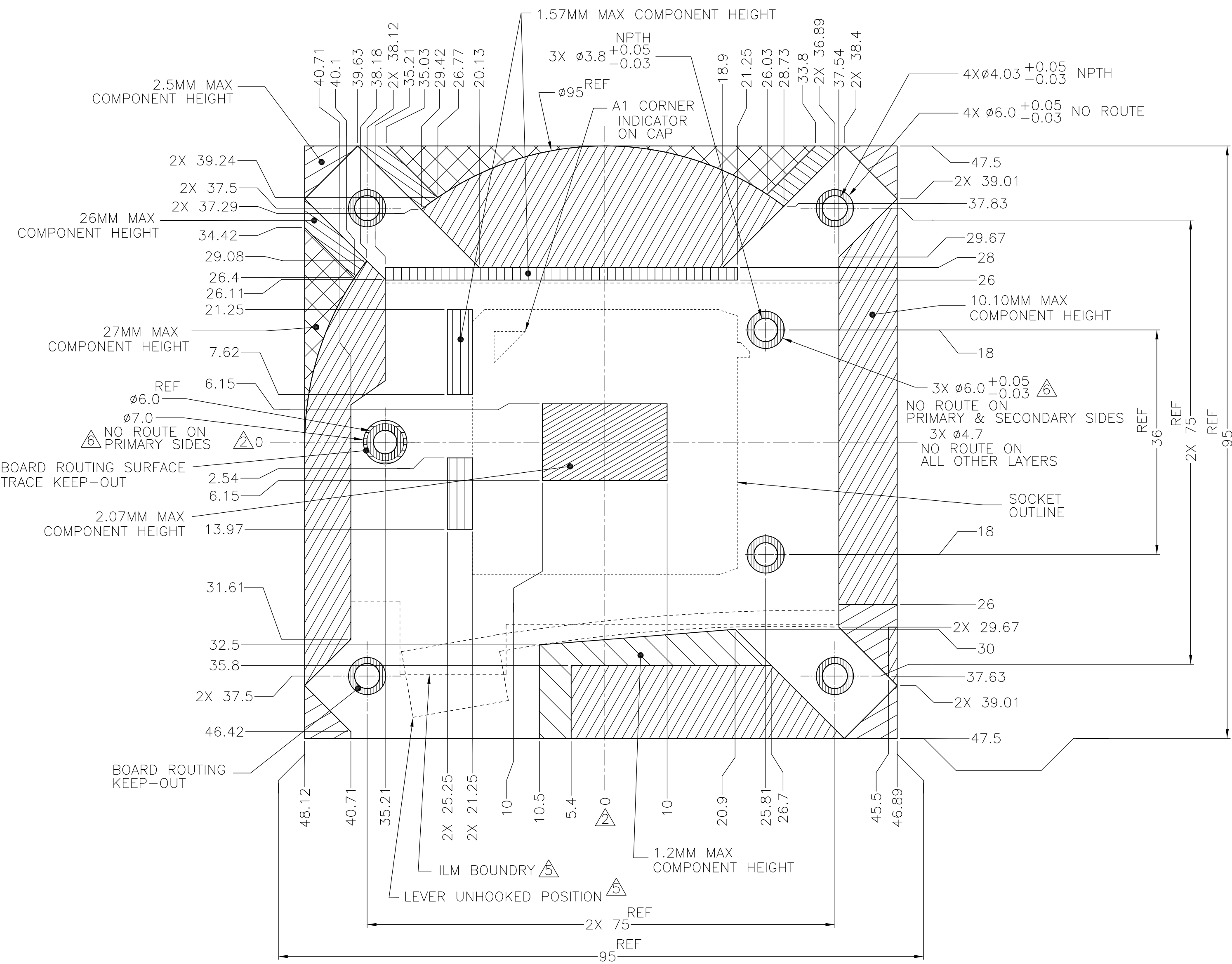


FOR GENERAL BOARD DESIGN, PLEASE REFER TO THE THERMAL AND MECHANICAL DESIGN GUIDELINES(TMDG) PROVIDED BY INTEL CORPORATION

THIS DRAWING IS A CONTROLLED DOCUMENT.		DWN	TE Connectivity		
DIMENSIONS: 单位: 毫米 mm		CHK	NAME 名称		
TOLERANCES UNLESS OTHERWISE SPECIFIED: 一般公差		APVD	SOCKET ASSY LGA1150		
0 PLG ± 0.3	1 PLG ± 0.3	PRODUCT SPEC 製品規格	SIZE A2	CAGE CODE 00779	DRAWING NO 番号 C=2134928
2 PLG ± 0.3	3 PLG ± 0.3	APPLICATION SPEC 取付適用規格	RESTRICTED TO		
4 PLG ± 0.3	ANGLES ±	WEIGHT -	-		
MATERIAL 材料	FINISH 仕上	CUSTOMER DRAWING	SCALE 尺度 NTS	SHEET 5 of 6	REV C

THIS DRAWING IS UNPUBLISHED. RELEASED FOR PUBLICATION
 © COPYRIGHT - By Tyco Electronics Japan G.K. ALL RIGHTS RESERVED.

LOC	DIST	REVISIONS				
		P	LTR	DATE	DWN	APVD
-	-	-	-	-	-	-
SEE SHEET 1				-	-	-



- NOTES (APPLIED TO SHEET 5 OF 5):
1. DIMENSIONS ARE IN MILLIMETERS
 2. \triangle GEOMETRIC CENTER OF SOCKET HOUSING CAVITY
 3. BOARD COMPONENT KEEP-INS AND MECHANICAL COMPONENT KEEP-OUTS TO BE UTILIZED WITH SUFFICIENT ALLOWANCES FOR PLACEMENT AND SIZE TOLERANCES, ASSEMBLY PROCESS ACCESS, AND DYNAMIC EXCURSIONS.
 4. ASSUME SYMMETRY FOR UNDIMENSIONED CORNERS AND EDGES.
- \triangle FOR UNDEFINED DIMENSIONS, REFER TO THERMAL AND MECHANICAL DESIGN GUIDELINE PROVIDED BY INTEL CORPORATION.
- \triangle COPPER PAD ON PRIMARY SIDE, NON-GROUNDED. COPPER PAD CAN INSET A MAXIMUM OF 0.127MM FROM THE NO ROUTE EDGE
- \triangle COMBINED COMPONENT AND SOLDER PASTE HEIGHT INCLUDING TOLERANCES AFTER REFLOW.

COMPONENT KEEP-INS AND MECHANICAL COMPONENT KEEP-OUTS

FOR REFERENCE ONLY, PLEASE REFER TO THE THERMAL AND MECHANICAL DESIGN GUIDELINES(TMDG) PROVIDED BY INTEL CORPORATION

LEGEND	
	SOCKET/THERMAL/MECHANICAL COMPONENT KEEP-INS
	10.10MM MAX COMPONENT HEIGHT \triangle
	1.57MM MAX COMPONENT HEIGHT \triangle
	1.2MM MAX COMPONENT HEIGHT \triangle
	BOARD ROUTING KEEP-OUT
	27MM MAX COMPONENT HEIGHT \triangle
	BOARD ROUTING SURFACE TRACE KEEP-OUT \triangle
	2.07MM MAX COMPONENT HEIGHT \triangle
	2.5MM MAX COMPONENT HEIGHT \triangle
	26MM MAX COMPONENT HEIGHT \triangle

THIS DRAWING IS A CONTROLLED DOCUMENT.		DWN	TE Connectivity													
DIMENSIONS: 单位: 毫米 mm		CHK	NAME 名称													
TOLERANCES UNLESS OTHERWISE SPECIFIED: 一般公差		APVD	SOCKET ASSY LGA1150													
<table border="0"> <tr><td>Ø PLG</td><td>±</td></tr> <tr><td>1 PLG</td><td>±</td></tr> <tr><td>2 PLG</td><td>±</td></tr> <tr><td>3 PLG</td><td>±</td></tr> <tr><td>4 PLG</td><td>±</td></tr> <tr><td>ANGLES</td><td>±</td></tr> </table>		Ø PLG	±	1 PLG	±	2 PLG	±	3 PLG	±	4 PLG	±	ANGLES	±	PRODUCT SPEC 製品規格	SIZE A2	CAGE CODE 00779
Ø PLG	±															
1 PLG	±															
2 PLG	±															
3 PLG	±															
4 PLG	±															
ANGLES	±															
MATERIAL 材料		APPLICATION SPEC 取付適用規格	DRAWING NO 番号	RESTRICTED TO												
FINISH 仕上		WEIGHT -	C=2134928	-												
		CUSTOMER DRAWING	SCALE 尺度 NTS	SHEET 6 OF 6												