



Chipsmall Limited consists of a professional team with an average of over 10 year of expertise in the distribution of electronic components. Based in Hongkong, we have already established firm and mutual-benefit business relationships with customers from,Europe,America and south Asia,supplying obsolete and hard-to-find components to meet their specific needs.

With the principle of “Quality Parts,Customers Priority,Honest Operation,and Considerate Service”,our business mainly focus on the distribution of electronic components. Line cards we deal with include Microchip,ALPS,ROHM,Xilinx,Pulse,ON,Everlight and Freescale. Main products comprise IC,Modules,Potentiometer,IC Socket,Relay,Connector.Our parts cover such applications as commercial,industrial, and automotives areas.

We are looking forward to setting up business relationship with you and hope to provide you with the best service and solution. Let us make a better world for our industry!



## Contact us

Tel: +86-755-8981 8866 Fax: +86-755-8427 6832

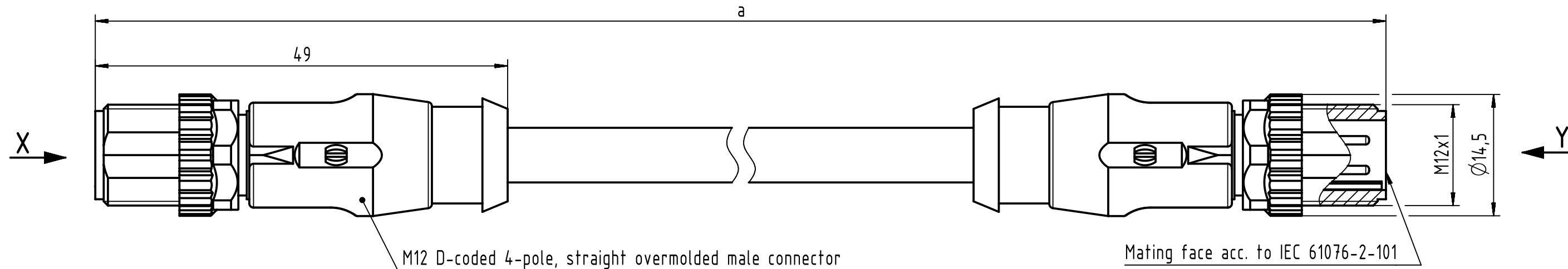
Email & Skype: info@chipsmall.com Web: www.chipsmall.com

Address: A1208, Overseas Decoration Building, #122 Zhenhua RD., Futian, Shenzhen, China



Connector Location A

Connector Location B

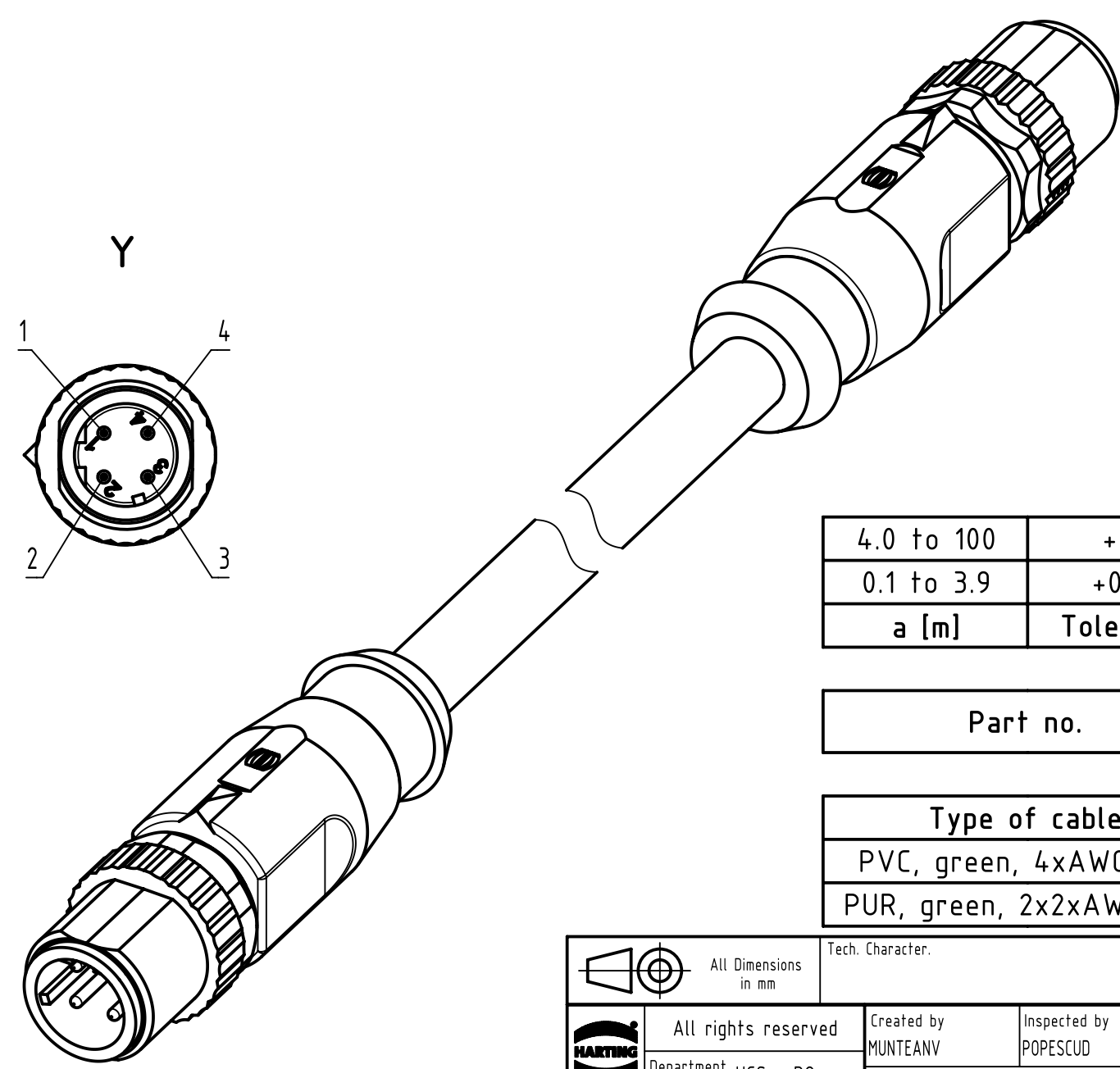
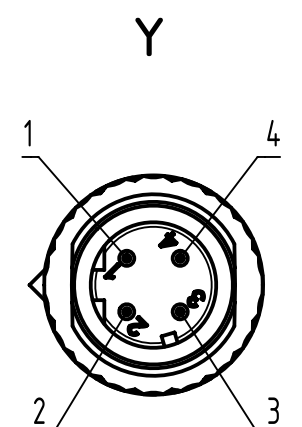
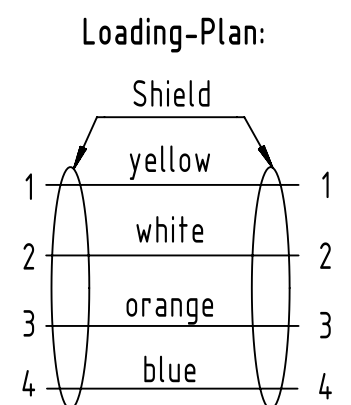
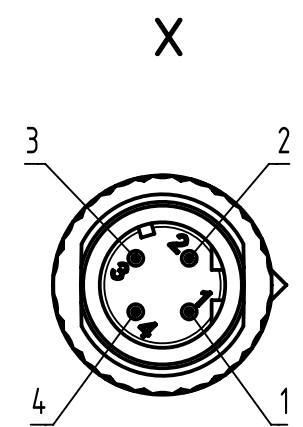


M12 D-coded 4-pole, straight overmolded male connector

Mating face acc. to IEC 61076-2-101

length in "1m" step	100	XXX=000
	99	XXX=990
	.	.
	12	XXX=120
	11	XXX=110
length in "0.1m" step	10	XXX=100
	9.9	XXX=099
	9.8	XXX=098
	.	.
	0.4	XXX=004
	0.3	XXX=003
	0.2	XXX=002
	0.1	XXX=001
Step	a [m]	XXX

4.0 to 100	+1%
0.1 to 3.9	+0.04
a [m]	Tolerance



Part no.	213492924XXXXX
Type of cable	XX
PVC, green, 4xAWG22/7	XX=05
PUR, green, 2x2xAWG22/7	XX=77

- Protection level: IP 65/67  
 - Temperature range: -30°C ... +70°C

All rights reserved Department HCS - RO HARTING Customised Solutions D-32427 Minden		All Dimensions in mm Tech. Character. Created by MUNTEANV Inspected by POPESCU Title M12 D-coded Cable Assembly Type TB	Free size tol. Standardisation AVRAM Date 2017-04-06 State Final Release Number 213492924XXXXX	According to production drawing Doc-Key / ECM-Nr. 100588528/UGD/000/D 500000117781 Rev. D Page 1/1
--	--	--	--	---