



Chipsmall Limited consists of a professional team with an average of over 10 year of expertise in the distribution of electronic components. Based in Hongkong, we have already established firm and mutual-benefit business relationships with customers from,Europe,America and south Asia,supplying obsolete and hard-to-find components to meet their specific needs.

With the principle of "Quality Parts,Customers Priority,Honest Operation,and Considerate Service",our business mainly focus on the distribution of electronic components. Line cards we deal with include Microchip,ALPS,ROHM,Xilinx,Pulse,ON,Everlight and Freescale. Main products comprise IC,Modules,Potentiometer,IC Socket,Relay,Connector.Our parts cover such applications as commercial,industrial, and automotives areas.

We are looking forward to setting up business relationship with you and hope to provide you with the best service and solution. Let us make a better world for our industry!



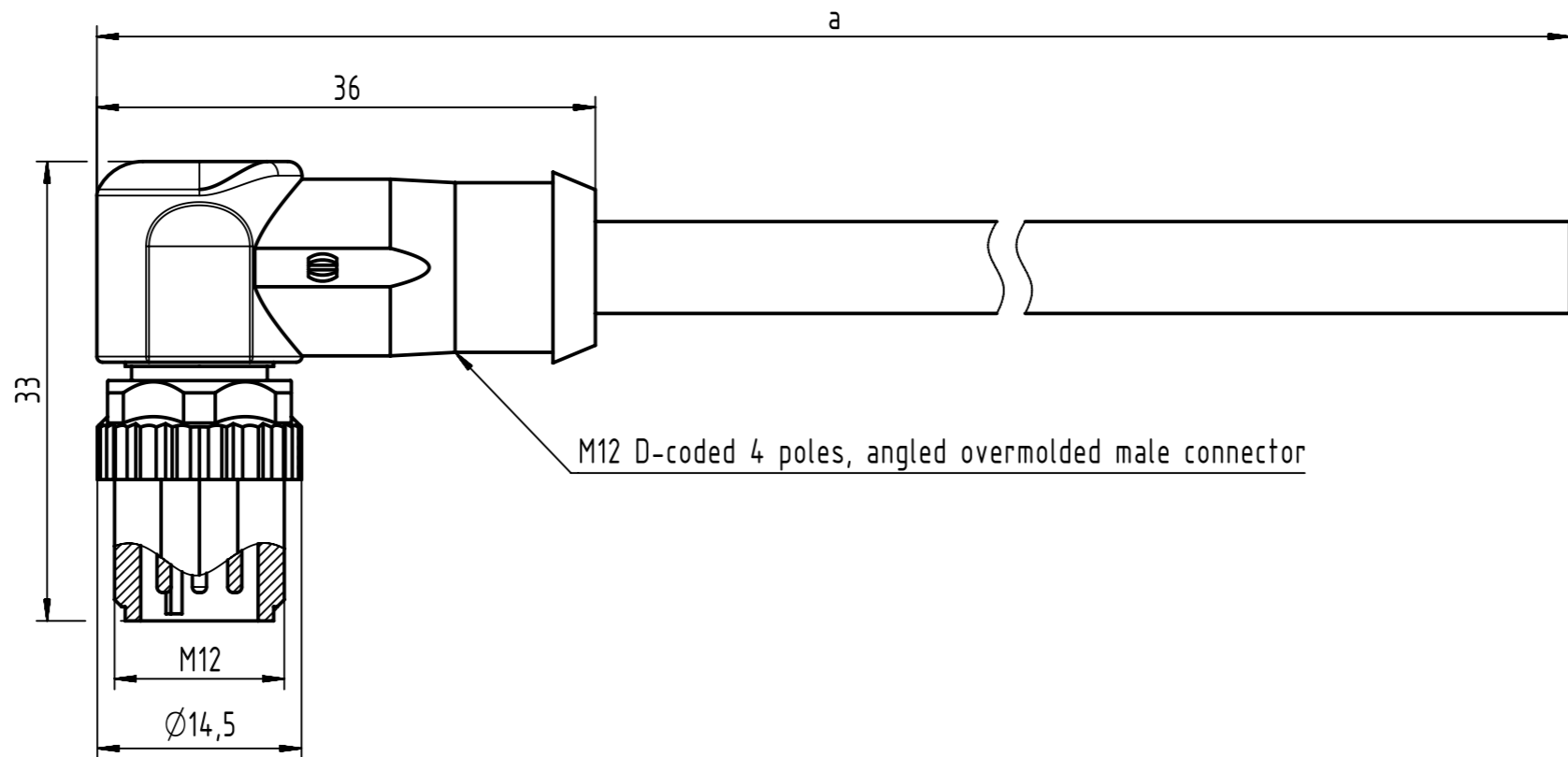
## Contact us

Tel: +86-755-8981 8866 Fax: +86-755-8427 6832

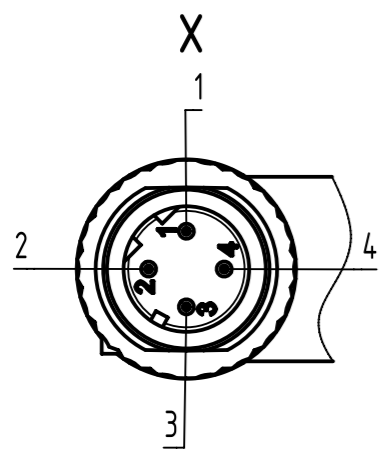
Email & Skype: info@chipsmall.com Web: www.chipsmall.com

Address: A1208, Overseas Decoration Building, #122 Zhenhua RD., Futian, Shenzhen, China



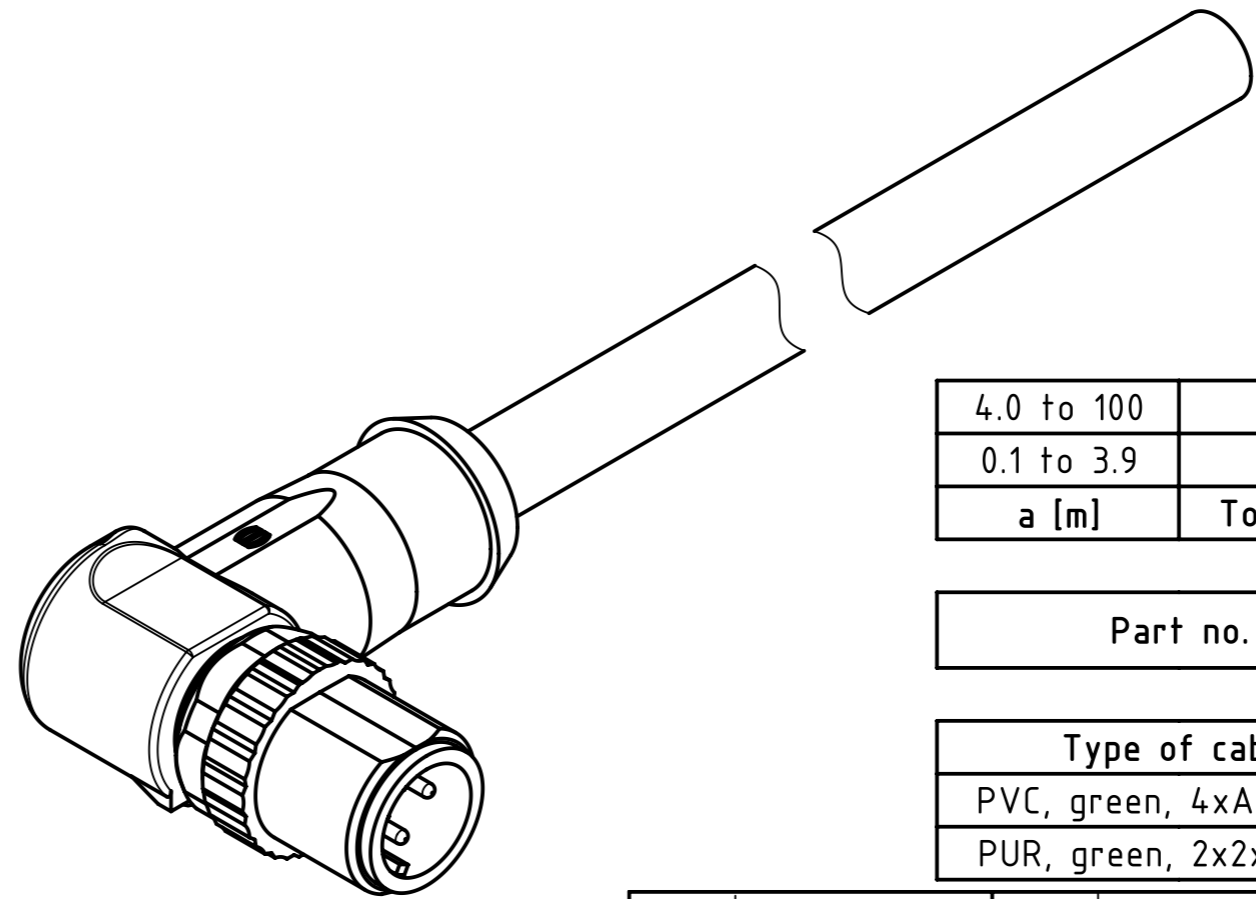


X↑



Loading-Plan:

- 1 shield
- 2 yellow
- 3 white
- 4 orange
- blue



4.0 to 100	+1%
0.1 to 3.9	+0.04
<b>a [m]</b>	<b>Tolerance</b>

length in "1m" step	100	XXX=000
	99	XXX=990
	.	.
	12	XXX=120
length in "0.1m" step	11	XXX=110
	10	XXX=100
	9.9	XXX=099
	9.8	XXX=098
	.	.
	0.4	XXX=004
	0.3	XXX=003
	0.2	XXX=002
	0.1	XXX=001
<b>Step</b>	<b>a [m]</b>	<b>XXX</b>

<b>Part no.</b>	213494004XXXXX
-----------------	----------------

<b>Type of cable</b>	XX
PVC, green, 4xAWG22/7	XX=05
PUR, green, 2x2xAWG22	XX=77

- Protection level: IP67  
 - Temperature range: -30°C ... +70°C

All rights reserved Department EC PD - RO HARTING Electronics GmbH D-32339 Espelkamp	All Dimensions in mm Original Size DIN A3	Scale 1:1 Free size tol.	Ref. Sub.
	Created by TOMUTA Inspected by AVRAM Standardisation HOFFMANN Date 2014-08-21 State Final Release	Title M12 D-coded Cable Assembly Type TB Number 213494004XXXXX	