



Chipsmall Limited consists of a professional team with an average of over 10 year of expertise in the distribution of electronic components. Based in Hongkong, we have already established firm and mutual-benefit business relationships with customers from,Europe,America and south Asia,supplying obsolete and hard-to-find components to meet their specific needs.

With the principle of “Quality Parts,Customers Priority,Honest Operation,and Considerate Service”,our business mainly focus on the distribution of electronic components. Line cards we deal with include Microchip,ALPS,ROHM,Xilinx,Pulse,ON,Everlight and Freescale. Main products comprise IC,Modules,Potentiometer,IC Socket,Relay,Connector.Our parts cover such applications as commercial,industrial, and automotives areas.

We are looking forward to setting up business relationship with you and hope to provide you with the best service and solution. Let us make a better world for our industry!



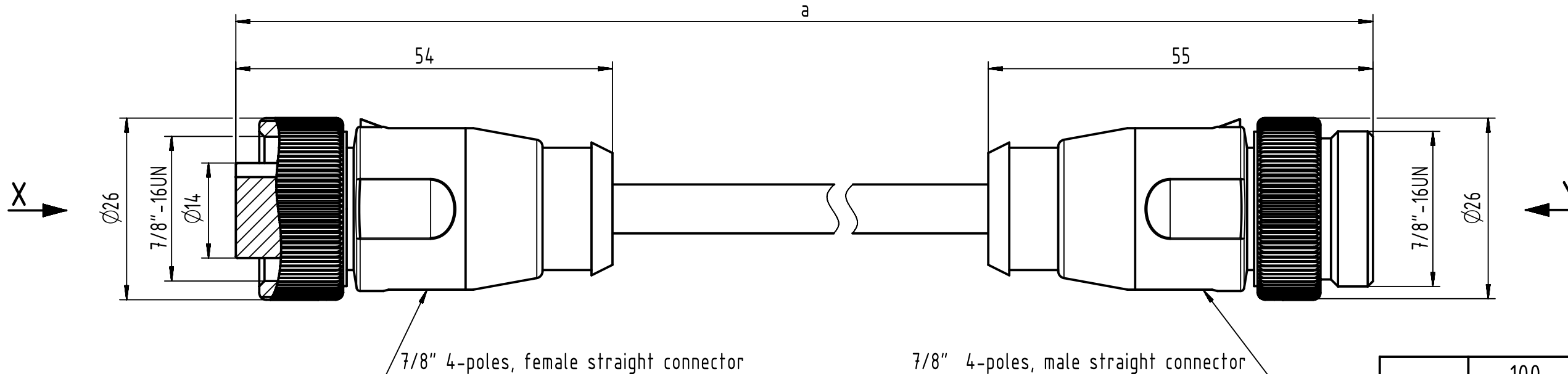
## Contact us

Tel: +86-755-8981 8866 Fax: +86-755-8427 6832

Email & Skype: info@chipsmall.com Web: www.chipsmall.com

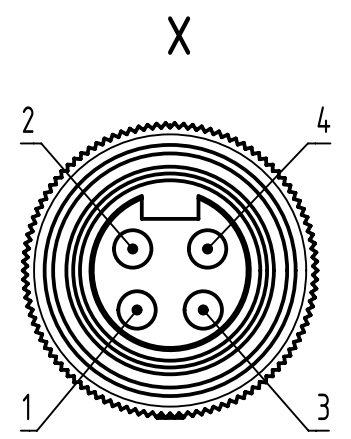
Address: A1208, Overseas Decoration Building, #122 Zhenhua RD., Futian, Shenzhen, China



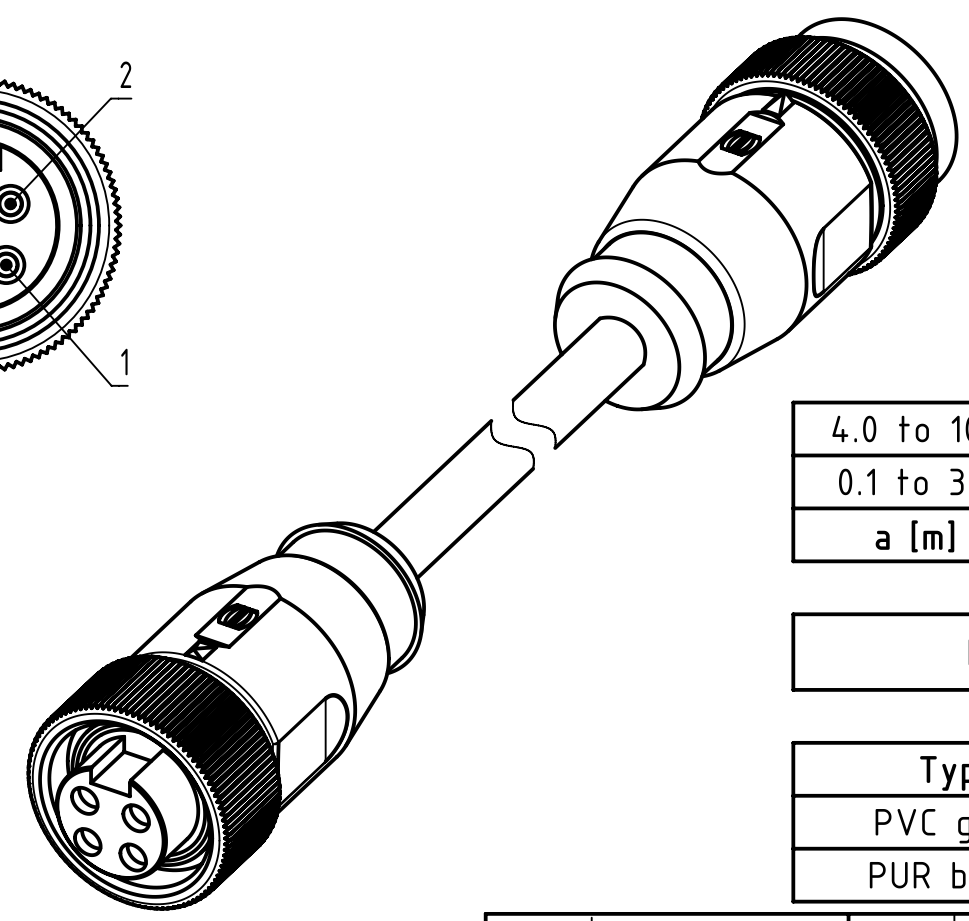
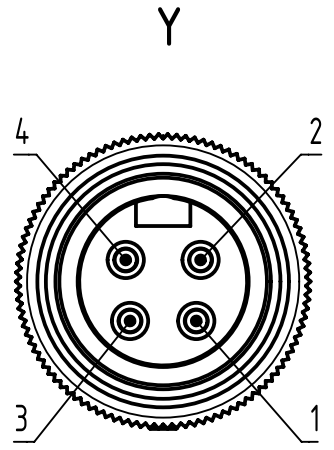


7/8" 4-poles, female straight connector

7/8" 4-poles, male straight connector



- Loading-Plan:
- 1 — brown — 1
  - 2 — white — 2
  - 3 — blue — 3
  - 4 — black — 4



- Protection level: IP67  
 - Temperature range: -25°C ... +80°C

length in "1m" step	100	XXX=000
	99	XXX=990
	.	.
	12	XXX=120
length in "0.1m" step	11	XXX=110
	10	XXX=100
	9.9	XXX=099
	9.8	XXX=098
	.	.
	0.4	XXX=004
	0.3	XXX=003
	0.2	XXX=002
	0.1	XXX=001
Step	a [m]	XXX

4.0 to 100	+1%
0.1 to 3.9	+0.04
a [m]	Tolerance

Part no.	213496974,XXX,XXX
----------	-------------------

Type of cable	XX
PVC grey, 4x1.5mm <sup>2</sup>	XX=95
PUR black, 4x1.5mm <sup>2</sup>	XX=96

	All rights reserved	Created by	Inspected by	Standardisation	Date	State
	Department EC PD - RO	TAMAS	AVRAM	HOFFMANN	2014-07-01	Final Release
HARTING Electronics GmbH		Title			Doc-Key / ECM-Nr.	
D-32339 Espelkamp		7/8 Cable Assembly			100581015/UGD/009/A	
		Type	Number	Rev.		Page
		TB	213496974,XXX,XXX	A		1/1