



Chipsmall Limited consists of a professional team with an average of over 10 year of expertise in the distribution of electronic components. Based in Hongkong, we have already established firm and mutual-benefit business relationships with customers from,Europe,America and south Asia,supplying obsolete and hard-to-find components to meet their specific needs.

With the principle of “Quality Parts,Customers Priority,Honest Operation,and Considerate Service”,our business mainly focus on the distribution of electronic components. Line cards we deal with include Microchip,ALPS,ROHM,Xilinx,Pulse,ON,Everlight and Freescale. Main products comprise IC,Modules,Potentiometer,IC Socket,Relay,Connector.Our parts cover such applications as commercial,industrial, and automotives areas.

We are looking forward to setting up business relationship with you and hope to provide you with the best service and solution. Let us make a better world for our industry!



## Contact us

Tel: +86-755-8981 8866 Fax: +86-755-8427 6832

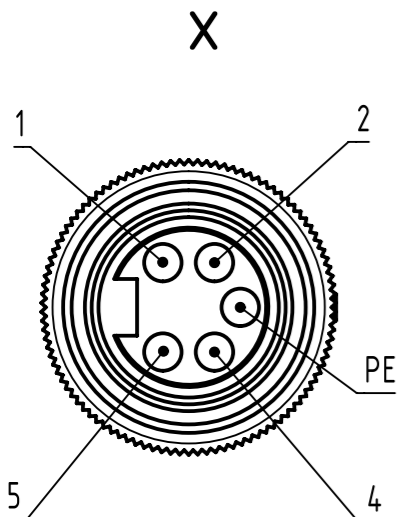
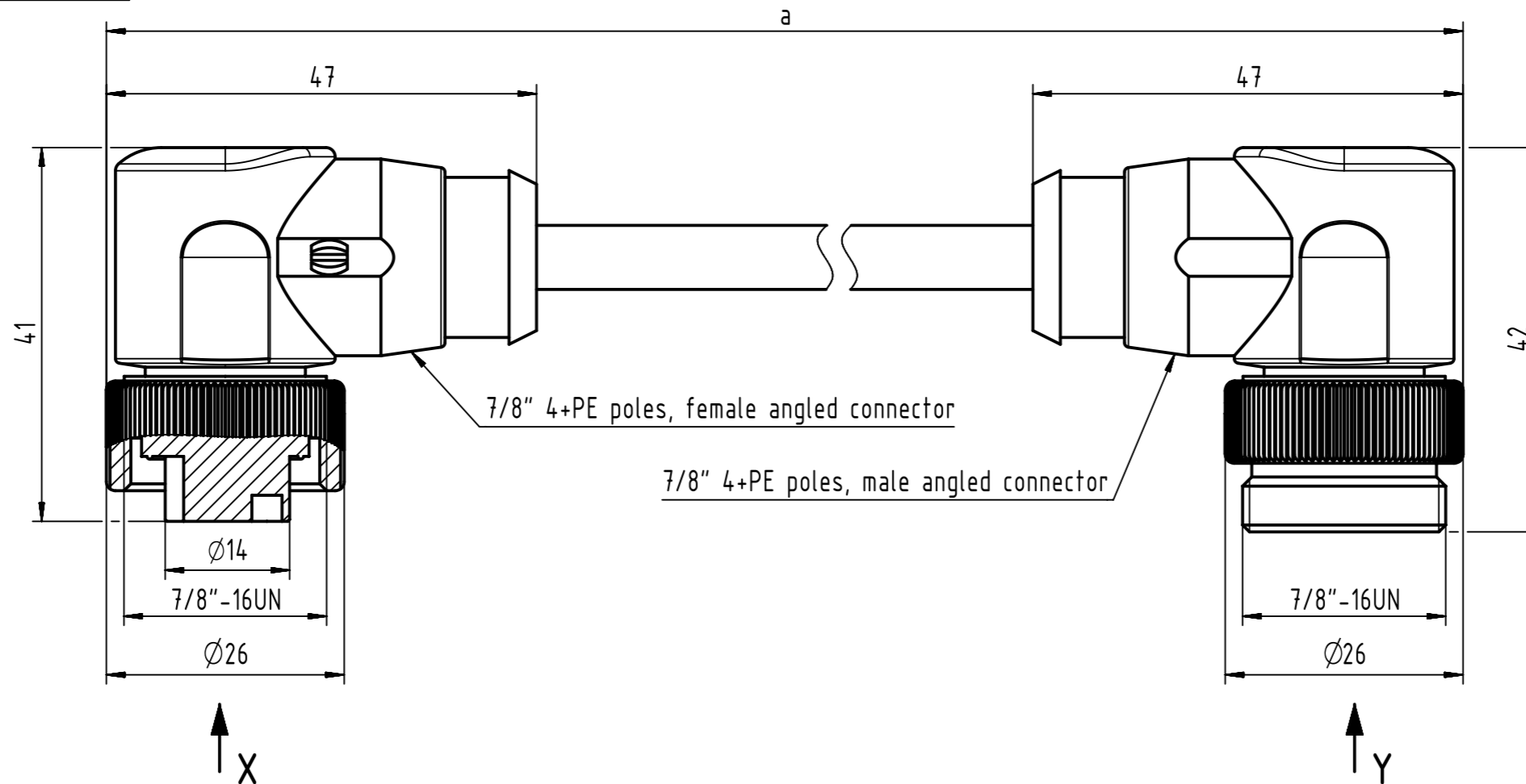
Email & Skype: info@chipsmall.com Web: www.chipsmall.com

Address: A1208, Overseas Decoration Building, #122 Zhenhua RD., Futian, Shenzhen, China

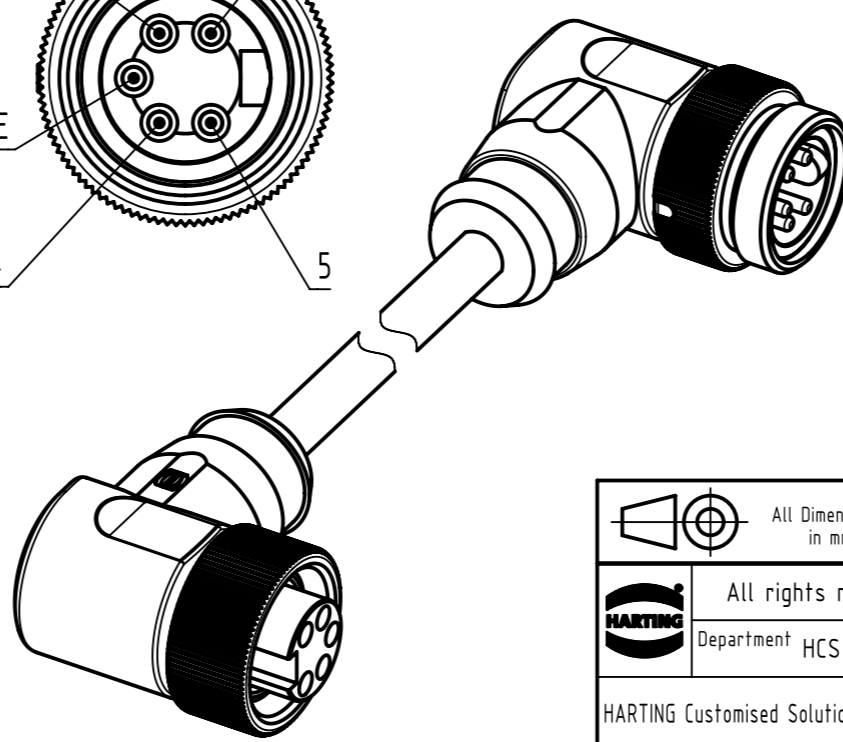
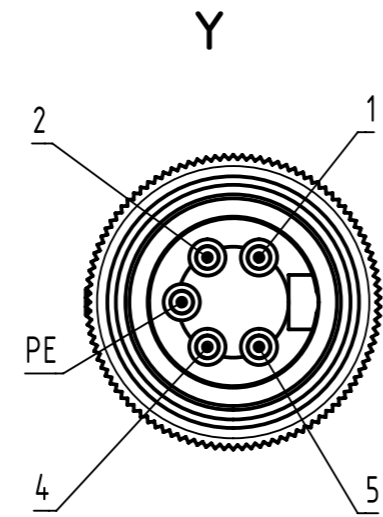


Connector Location A

Connector Location B



- Loading-Plan:**
- 1 — black — 1
  - 2 — blue — 2
  - PE — green-yellow — PE
  - 4 — brown — 4
  - 5 — white — 5



- Protection level: IP 65/67  
 - Temperature range: -25°C ... +80°C

length in "1m" step	100	XXX=000
	99	XXX=990
	.	.
	12	XXX=120
	11	XXX=110
length in "0.1m" step	10	XXX=100
	9.9	XXX=099
	9.8	XXX=098
	.	.
	0.4	XXX=004
	0.3	XXX=003
	0.2	XXX=002
	0.1	XXX=001
Step	a [m]	XXX

4.0 to 100	+1%
0.1 to 3.9	+0.04
a [m]	Tolerance

Part no.	213498995XXXXXX
----------	-----------------

Type of cable	XX
PVC grey, 5x1.5mm <sup>2</sup>	XX=97
PUR black, 5x1.5mm <sup>2</sup>	XX=98

All rights reserved Department HCS - RO		Created by MUNTEANV Title 7/8" Cable Assembly Type TB		Inspected by POPESCU Standardisation AVRAM Date 2016-10-18 State Final Release		Free size tol. According to production drawing 2016-09-07	
HARTING Customised Solutions D-32427 Minden		Number 213498995XXXXX		Doc-Key / ECM-Nr. 100581049/UGD/009/B 500000110271		Rev. B Page 1/1	