



Chipsmall Limited consists of a professional team with an average of over 10 year of expertise in the distribution of electronic components. Based in Hongkong, we have already established firm and mutual-benefit business relationships with customers from,Europe,America and south Asia,supplying obsolete and hard-to-find components to meet their specific needs.

With the principle of “Quality Parts,Customers Priority,Honest Operation,and Considerate Service”,our business mainly focus on the distribution of electronic components. Line cards we deal with include Microchip,ALPS,ROHM,Xilinx,Pulse,ON,Everlight and Freescale. Main products comprise IC,Modules,Potentiometer,IC Socket,Relay,Connector.Our parts cover such applications as commercial,industrial, and automotives areas.

We are looking forward to setting up business relationship with you and hope to provide you with the best service and solution. Let us make a better world for our industry!



Contact us

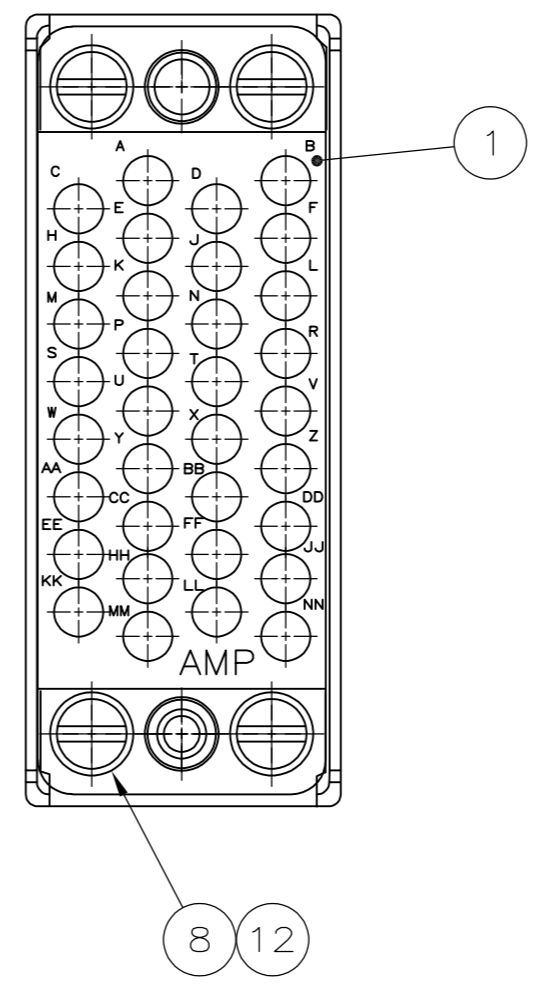
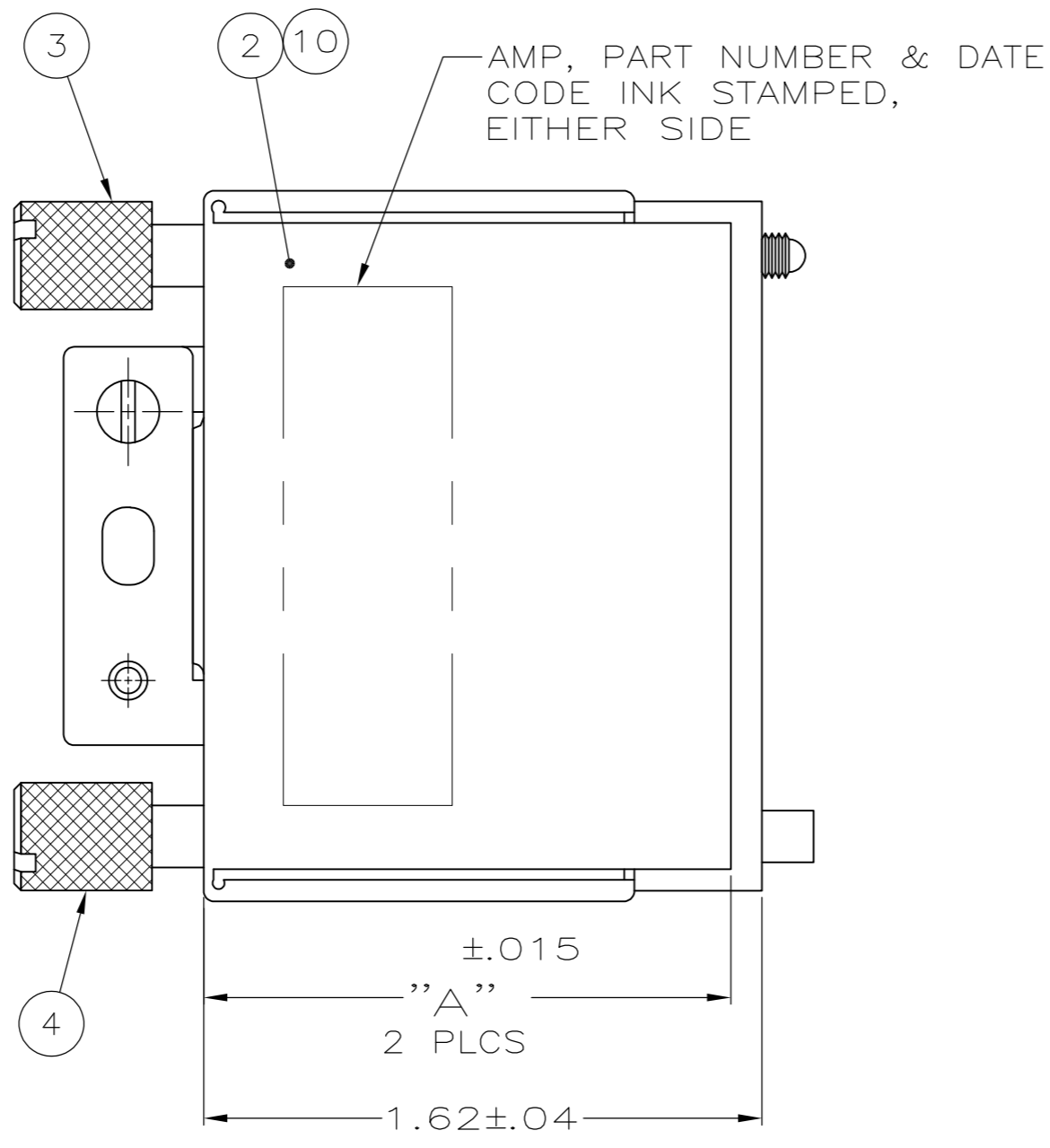
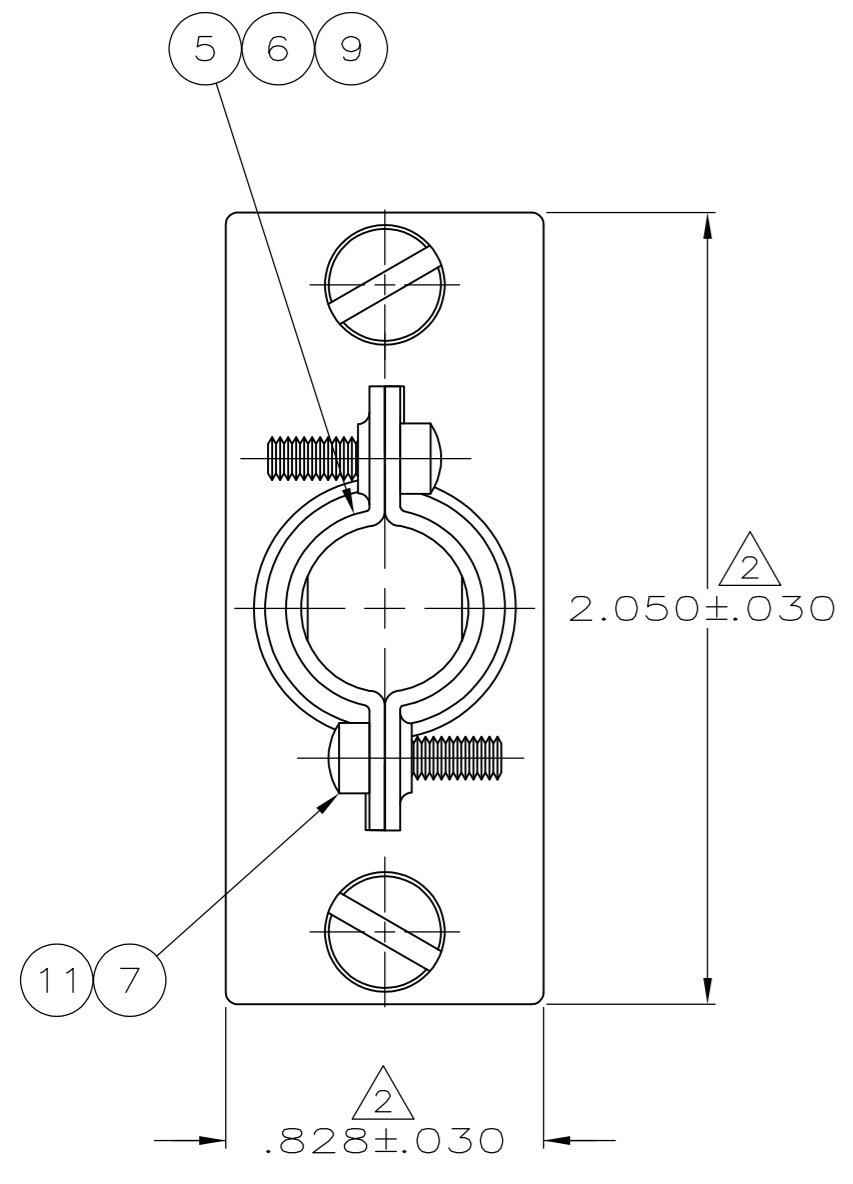
Tel: +86-755-8981 8866 Fax: +86-755-8427 6832

Email & Skype: info@chipsmall.com Web: www.chipsmall.com

Address: A1208, Overseas Decoration Building, #122 Zhenhua RD., Futian, Shenzhen, China

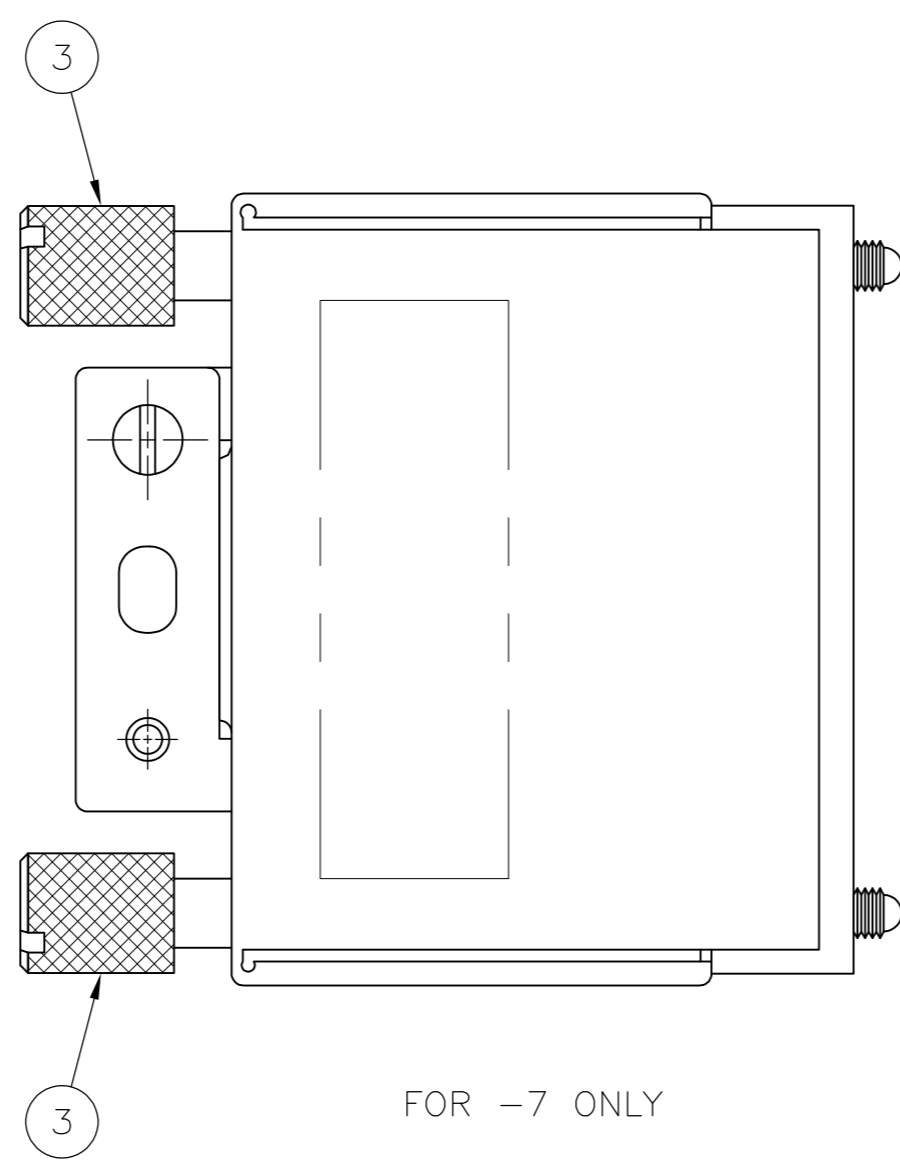
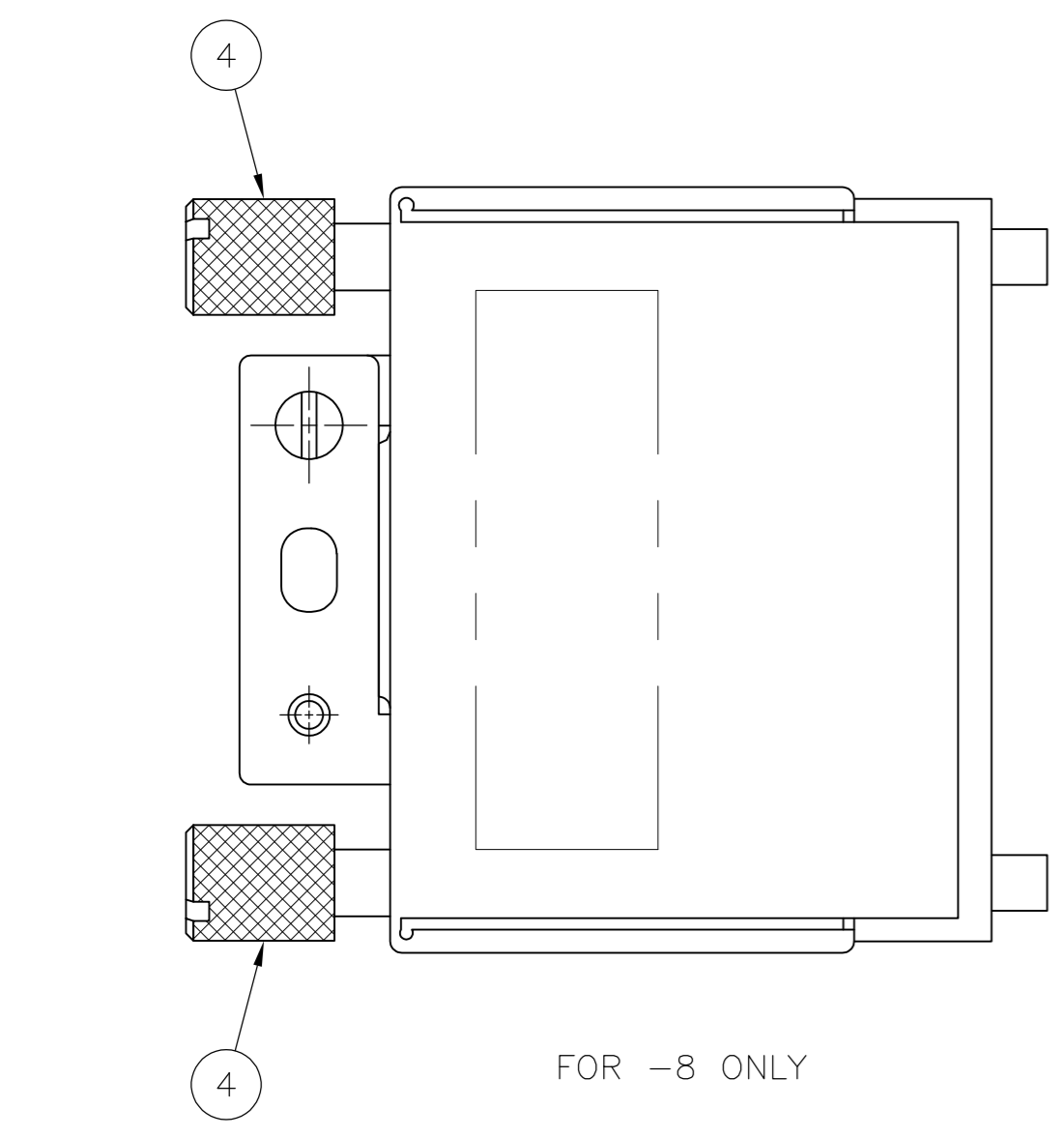


LOC		DIST		REVISIONS			
P	LTR	DESCRIPTION		DATE	DWN	APVD	
	F4	REVISED PER ECO-11-024884		14DEC11	KH	DR	



- 1 PARTIALLY ASSEMBLED.
- 2 DIMENSION APPLIES AT BASE OF BEND.
- 3 ALL ITEMS BULK PACKAGED SEPARATELY WITHOUT INK MARKING.
- 4 PRELIMINARY PART NO.
- 5 FINISH: ZINC PLATE WITH HEXAVALENT CHROMATE.
- 6 FINISH: ZINC PLATE WITH NON-HEXAVALENT CHROMATE.
- 7 OBSOLETE PARTS: OBSOLETE CIS STREAMLINING PER D.RENAUD/D.SINISI

DIM A	CABLE AREA SQUARE INCHES	PART NUMBER
1.530	.1491-.2336	213522-8
1.530	.1491-.2336	213522-7
1.530	.1491-.2336	213522-6
7 OBSOLETE	1.225 .1491-.2336	213522-5
7 OBSOLETE	1.530 .0314-.0707	213522-4
7 OBSOLETE	1.530 .1491-.2336	213522-3
1.530	.1176-.1643	213522-2
1.530	.1491-.2336	213522-1



4		4		7		3		7		7		DESCRIPTION	MATERIAL	ITEM NO.
1	-	-	-	-	-	-	-	-	-	-	-	RECEPTACLE HOUSING, MOD 2 FEMALE JACKSCREW	PHENOLIC, BLACK	13
6	-	-	4	-	-	-	-	-	-	-	-	SCREW, #4-40, .250 LONG	STEEL, PLATED ZINC	12
6	-	-	2	-	-	-	-	-	-	-	-	SCREW, #4-40, .375 LONG	STEEL, PLATED ZINC	11
-	-	-	1	1	-	-	-	-	-	-	-	SHIELD, SHORT/SHORT	ALUMINUM, ANODIZED	10
-	-	-	-	-	2	-	-	-	-	-	-	CABLE CLAMP	STEEL, PLATED ZINC	9
5	4	4	-	4	4	4	4	4	4	4	4	SCREW, #4-40, .250 LONG	STEEL, PLATED ZINC	8
5	2	2	-	2	2	2	2	2	2	2	2	SCREW, #4-40, .375 LONG	STEEL, PLATED ZINC	7
-	-	-	-	-	-	-	2	-	-	-	-	CABLE CLAMP	STEEL, PLATED ZINC	6
2	2	2	2	-	2	-	2	-	2	-	-	CABLE CLAMP	STEEL, PLATED ZINC	5
2	-	1	1	1	1	1	1	1	1	1	1	JACKSCREW, FEMALE	STAINLESS STEEL	4
-	2	1	1	1	1	1	1	1	1	1	1	JACKSCREW, MALE	STAINLESS STEEL	3
1	1	-	-	1	1	1	1	1	1	1	1	SHIELD, SHORT	ALUMINUM, ANODIZED	2
-	1	1	1	1	1	1	1	1	1	1	1	RECEPTACLE HOUSING, MOD	PHENOLIC, BLACK	1
-8	-7	-6	-5	-4	-3	-2	-1	-	-	-	-			

THIS DRAWING IS A CONTROLLED DOCUMENT.

DWN	D.ERDMAN	4-6-88
CHK	R.STONE	4-6-88
APVD	-	-
PRODUCT SPEC	NAME	
APPLICATION SPEC	-	
WEIGHT	-	SIZE
CUSTOMER DRAWING		CAGE CODE
SCALE		DRAWING NO
2:1		A2 00779
SHEET		RESTRICTED TO
1 of 1		-
REV		
F4		

TE Connectivity
 KIT ASSEMBLY, RECEPTACLE, 34 POSITION, M SERIES
 C=213522