



Chipsmall Limited consists of a professional team with an average of over 10 year of expertise in the distribution of electronic components. Based in Hongkong, we have already established firm and mutual-benefit business relationships with customers from,Europe,America and south Asia,supplying obsolete and hard-to-find components to meet their specific needs.

With the principle of “Quality Parts,Customers Priority,Honest Operation,and Considerate Service”,our business mainly focus on the distribution of electronic components. Line cards we deal with include Microchip,ALPS,ROHM,Xilinx,Pulse,ON,Everlight and Freescale. Main products comprise IC,Modules,Potentiometer,IC Socket,Relay,Connector.Our parts cover such applications as commercial,industrial, and automotives areas.

We are looking forward to setting up business relationship with you and hope to provide you with the best service and solution. Let us make a better world for our industry!



## Contact us

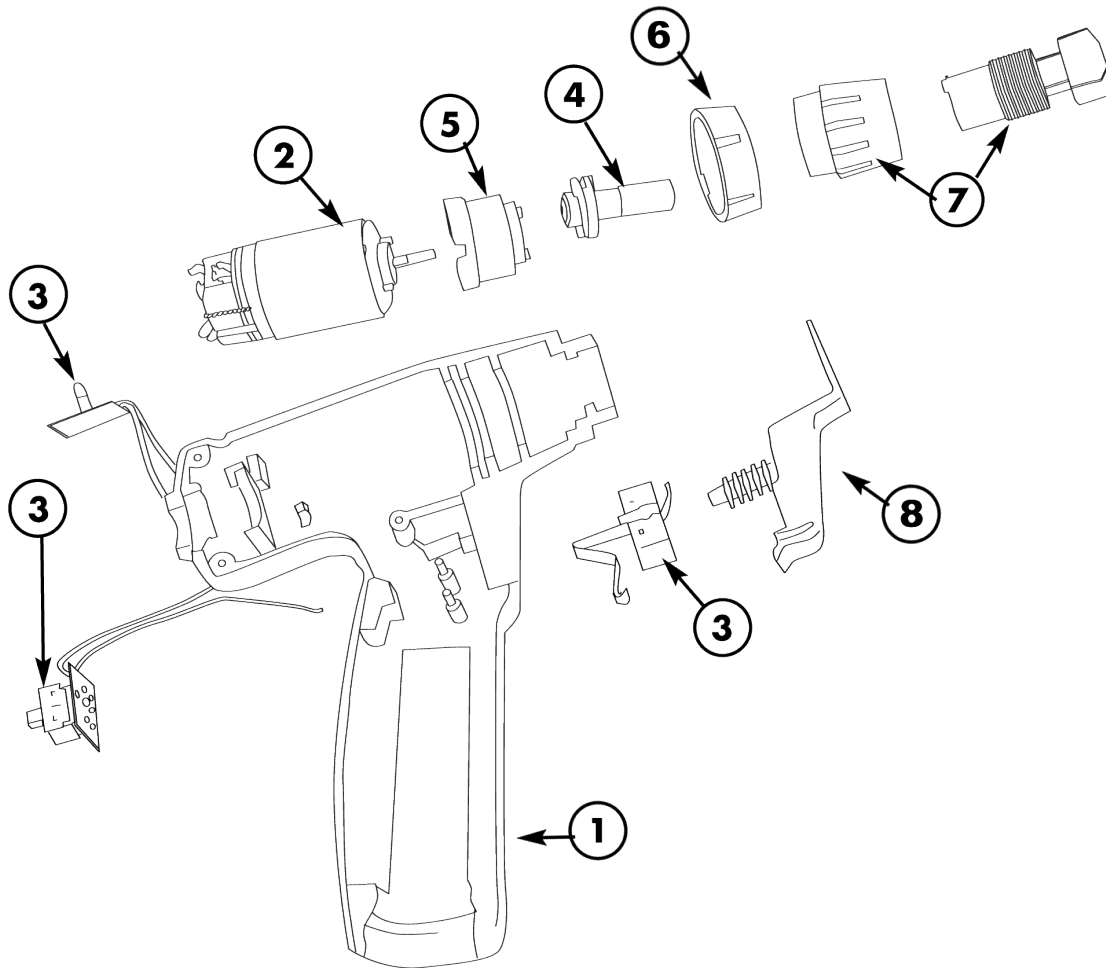
Tel: +86-755-8981 8866 Fax: +86-755-8427 6832

Email & Skype: info@chipsmall.com Web: www.chipsmall.com

Address: A1208, Overseas Decoration Building, #122 Zhenhua RD., Futian, Shenzhen, China



### SPARE PARTS FOR PTX SERIES



	PART	DESCRIPTION
1	21311	HOUSING SET, PTX
2	21328	MOTOR, PTX, 3.6V
	16746	MOTOR, PTX-1, 115V
	16772	MOTOR, PTX-2, 230V
3	21547	PTX LOW BATTERY & SWITCH PCB ASSEMBLY
	21548	PTX-1 POWER & SWITCH PCB ASSEMBLY
	21549	PTX-2 POWER & SWITCH PCB ASSEMBLY
4	17163	CLUTCH ASSEMBLY, BF
	16766	CLUTCH ASSEMBLY, NON BF
5	16765	GEARBOX ASSEMBLY
6	21355	PTX HOUSING NUT
7	21407	COLLET ASSEMBLY
8	21313	TRIGGER PTX
9	12446	PTX POWER CORD 20 FOOT 115V (NOT SHOWN)
10	21402	PTX-2 POWER CORD 20 FOOT 230V (NOT SHOWN)