



Chipsmall Limited consists of a professional team with an average of over 10 year of expertise in the distribution of electronic components. Based in Hongkong, we have already established firm and mutual-benefit business relationships with customers from,Europe,America and south Asia,supplying obsolete and hard-to-find components to meet their specific needs.

With the principle of “Quality Parts,Customers Priority,Honest Operation,and Considerate Service”,our business mainly focus on the distribution of electronic components. Line cards we deal with include Microchip,ALPS,ROHM,Xilinx,Pulse,ON,Everlight and Freescale. Main products comprise IC,Modules,Potentiometer,IC Socket,Relay,Connector.Our parts cover such applications as commercial,industrial, and automotives areas.

We are looking forward to setting up business relationship with you and hope to provide you with the best service and solution. Let us make a better world for our industry!



Contact us

Tel: +86-755-8981 8866 Fax: +86-755-8427 6832

Email & Skype: info@chipsmall.com Web: www.chipsmall.com

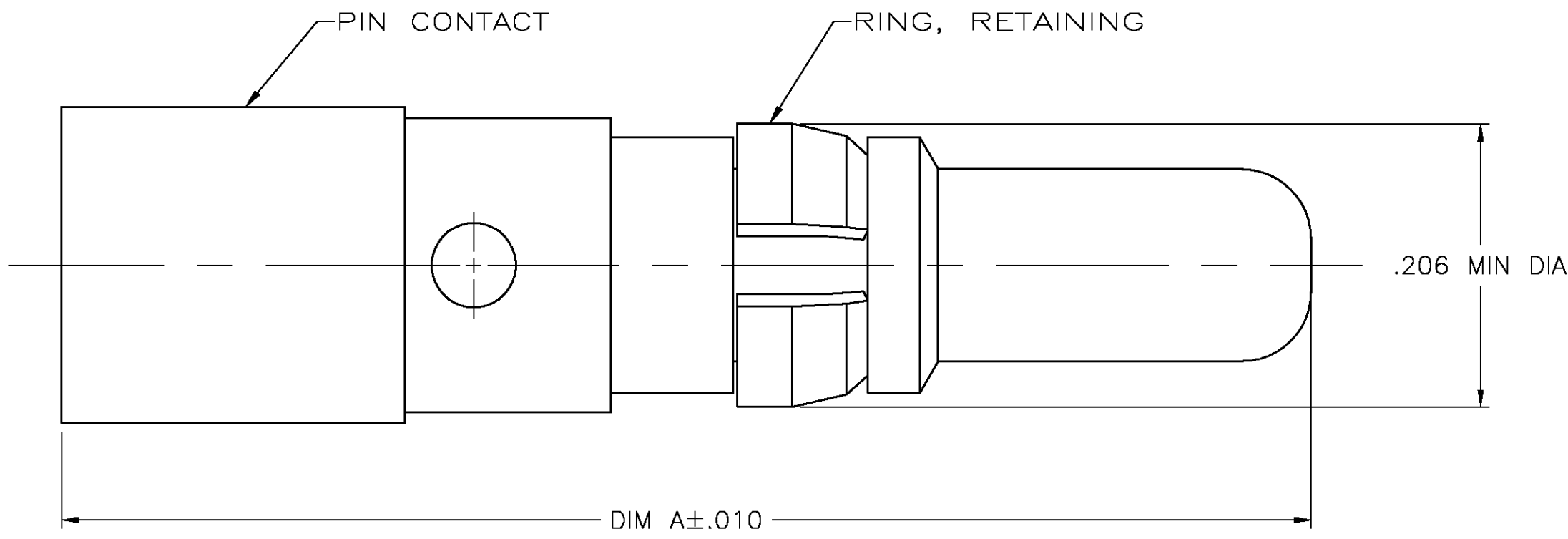
Address: A1208, Overseas Decoration Building, #122 Zhenhua RD., Futian, Shenzhen, China



THIS DRAWING IS UNPUBLISHED. RELEASED FOR PUBLICATION
 © COPYRIGHT BY TYCO ELECTRONICS CORPORATION. ALL RIGHTS RESERVED.

LOC	DIST	REVISIONS			
P	LTR	DESCRIPTION	DATE	DWN	APVD
FT	0	G	REVISED PER 0G3B-0280-05	3/10/05	SS GS

- 1. WIRE BARREL WILL ACCEPT 8 AWG WIRE.
- 2. PLATED WITH .000200 MINIMUM SILVER OVER .000050 MINIMUM NICKEL.
- 3. PLATED WITH .000030 MINIMUM GOLD OVER .000050 MINIMUM NICKEL.
- 4. RETAINING RING: PHOSPHOR BRONZE
PIN CONTACT: BRASS
- 5. PLATED WITH .000100 MINIMUM NICKEL.



	.950	3	213552-3
	.910	3	213552-2
OBSOLETE	-	2	213552-1
	DIM A	CONTACT FINISH	PART NO.

THIS DRAWING IS A CONTROLLED DOCUMENT.		DWN J LIPPERT 12-19-88	Tyco Electronics Corporation Harrisburg, Pa 17105-3608	
DIMENSIONS: INCHES	TOLERANCES UNLESS OTHERWISE SPECIFIED:	CHK J McCLINTON 12-19-88	NAME PIN CONTACT ASSEMBLY, POWER V111, METRIMATE	
	0 PLC ± - 1 PLC ± - 2 PLC ± - 3 PLC ± .005 4 PLC ± - ANGLES ± -	APVD -	PRODUCT SPEC -	APPLICATION SPEC -
MATERIAL - 4	FINISH PIN CONTACT: SEE TABLE RETAINING RING: 5	WEIGHT -	SIZE A3	CAGE CODE 00779
CUSTOMER DRAWING			DRAWING NO C-213552	RESTRICTED TO -
SCALE 10:1			SHEET 1 OF 1	REV G