



Chipsmall Limited consists of a professional team with an average of over 10 year of expertise in the distribution of electronic components. Based in Hongkong, we have already established firm and mutual-benefit business relationships with customers from,Europe,America and south Asia,supplying obsolete and hard-to-find components to meet their specific needs.

With the principle of “Quality Parts,Customers Priority,Honest Operation,and Considerate Service”,our business mainly focus on the distribution of electronic components. Line cards we deal with include Microchip,ALPS,ROHM,Xilinx,Pulse,ON,Everlight and Freescale. Main products comprise IC,Modules,Potentiometer,IC Socket,Relay,Connector.Our parts cover such applications as commercial,industrial, and automotives areas.

We are looking forward to setting up business relationship with you and hope to provide you with the best service and solution. Let us make a better world for our industry!



Contact us

Tel: +86-755-8981 8866 Fax: +86-755-8427 6832

Email & Skype: info@chipsmall.com Web: www.chipsmall.com

Address: A1208, Overseas Decoration Building, #122 Zhenhua RD., Futian, Shenzhen, China



4

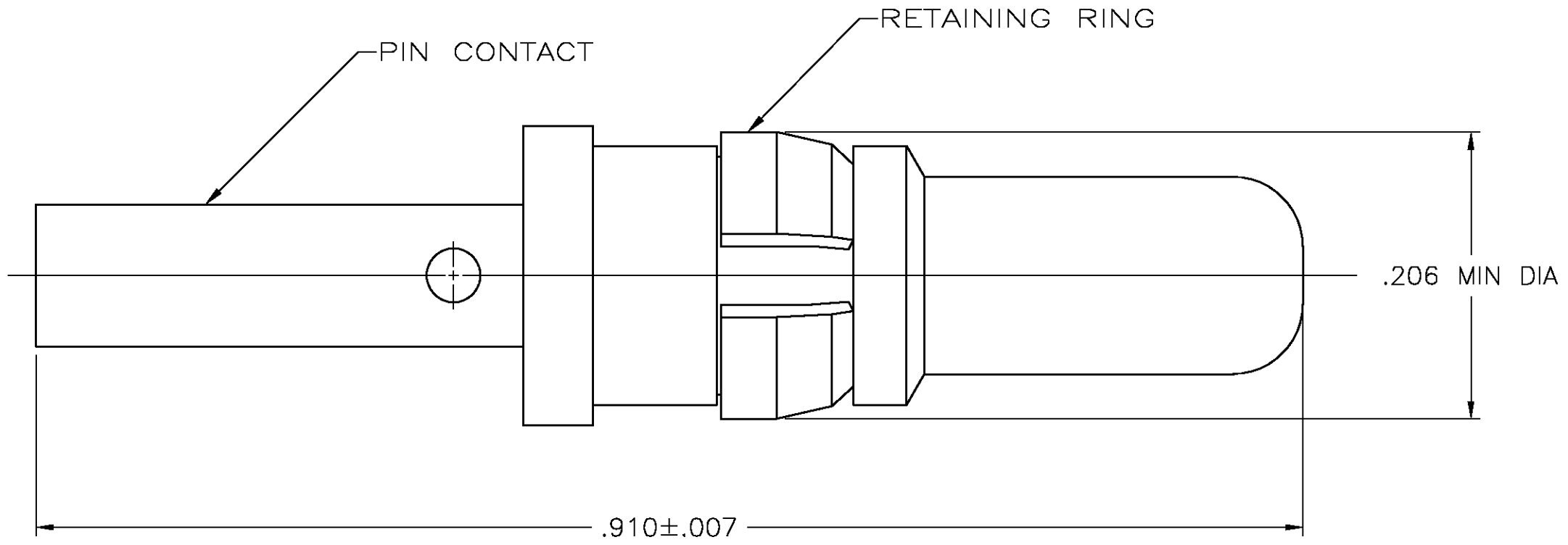
3

2

1

THIS DRAWING IS UNPUBLISHED. RELEASED FOR PUBLICATION
 © COPYRIGHT BY TYCO ELECTRONICS CORPORATION. ALL RIGHTS RESERVED.

LOC	DIST	REVISIONS			
P	LTR	DESCRIPTION	DATE	DWN	APVD
FT	0				
	D	REVISED PER 0G3B-0008-04	1/9/04	SS	GS



213567-1
 PART NUMBER

- 1. WIRE BARREL WILL ACCEPT 16-18 AWG WIRE.
- 2. PIN CONTACT: BRASS.
RING RETAINING: PHOSPHOR BRONZE.
- 3. 0.76 μm [.000030] MIN GOLD OVER
1.27 μm [.000050] MIN NICKEL.
- 4. 1.27 μm [.000050] MIN NICKEL.

THIS DRAWING IS A CONTROLLED DOCUMENT.		DWN C DORWART 09/06/91	Tyco Electronics Corporation Harrisburg, PA 17105	
DIMENSIONS: INCHES		CHK R STONE 9/10/91	NAME	
TOLERANCES UNLESS OTHERWISE SPECIFIED: 0 PLC ± - 1 PLC ± - 2 PLC ± - 3 PLC ± .005 4 PLC ± - ANGLES ± -		APVD A TRAVIS 9/11/91	PIN CONTACT ASSEMBLY, POWER VIII, METRIMATE	
MATERIAL - 2		PRODUCT SPEC W PARKER 9/11/91	APPLICATION SPEC	RESTRICTED TO
FINISH PIN CONTACT: 3 RING RETAINING: 4		WEIGHT -	SIZE A3	CAGE CODE 00779
		DRAWING NO C-213567		SCALE 10:1
		CUSTOMER DRAWING		SHEET 1 OF 1
				REV D