



Chipsmall Limited consists of a professional team with an average of over 10 year of expertise in the distribution of electronic components. Based in Hongkong, we have already established firm and mutual-benefit business relationships with customers from,Europe,America and south Asia,supplying obsolete and hard-to-find components to meet their specific needs.

With the principle of “Quality Parts,Customers Priority,Honest Operation,and Considerate Service”,our business mainly focus on the distribution of electronic components. Line cards we deal with include Microchip,ALPS,ROHM,Xilinx,Pulse,ON,Everlight and Freescale. Main products comprise IC,Modules,Potentiometer,IC Socket,Relay,Connector.Our parts cover such applications as commercial,industrial, and automotives areas.

We are looking forward to setting up business relationship with you and hope to provide you with the best service and solution. Let us make a better world for our industry!



## Contact us

Tel: +86-755-8981 8866 Fax: +86-755-8427 6832

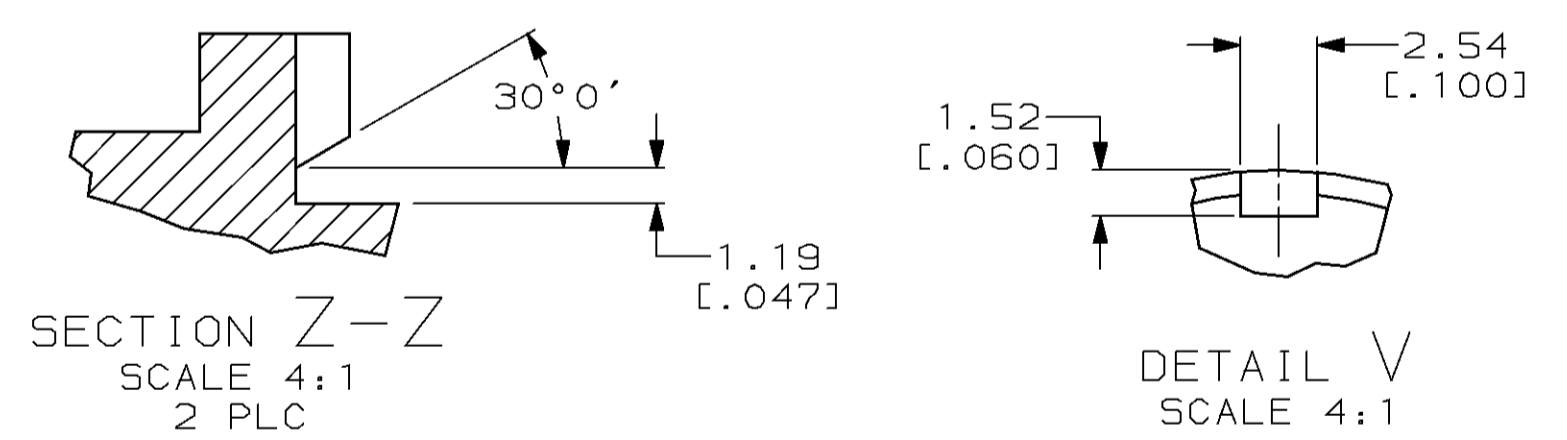
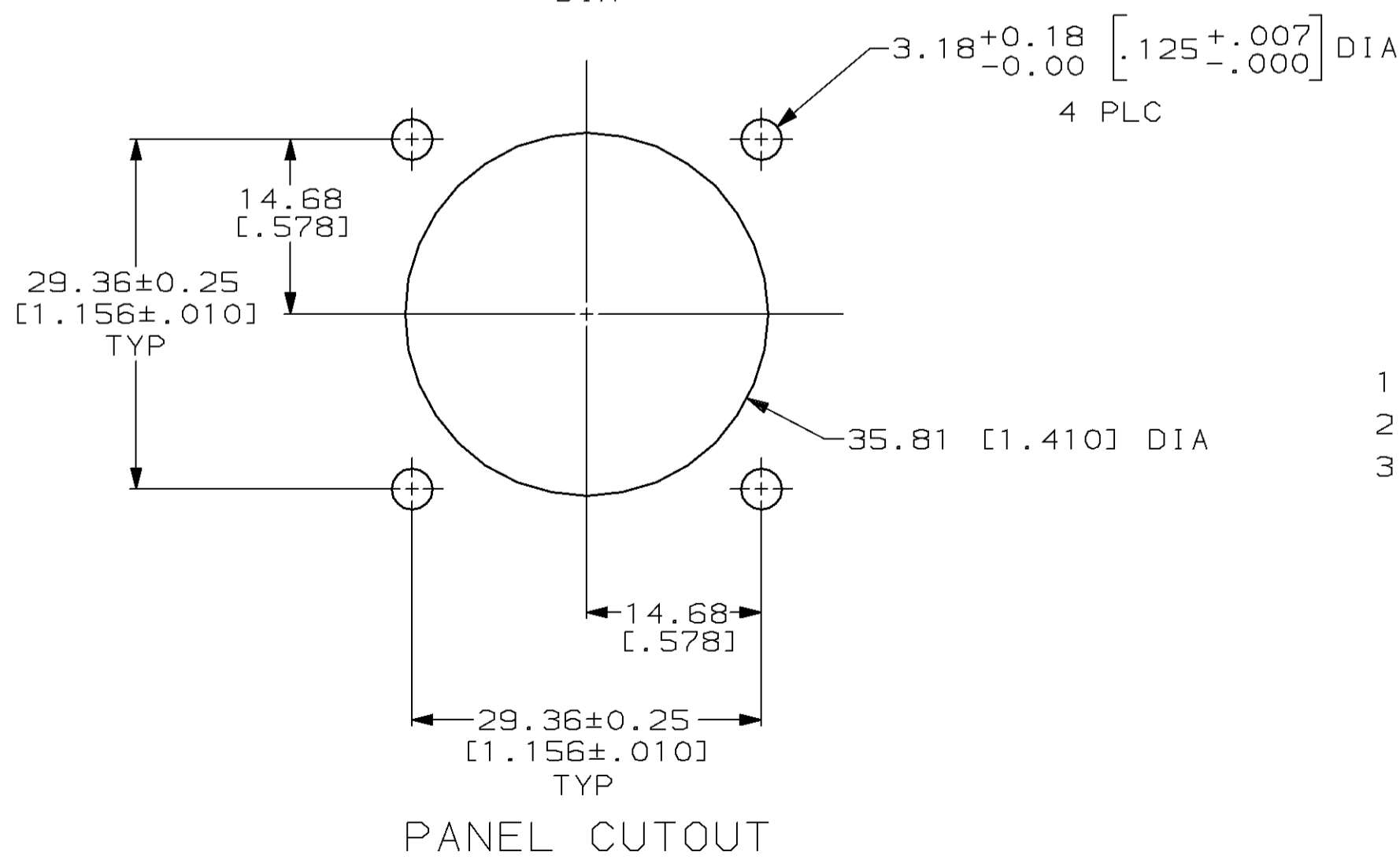
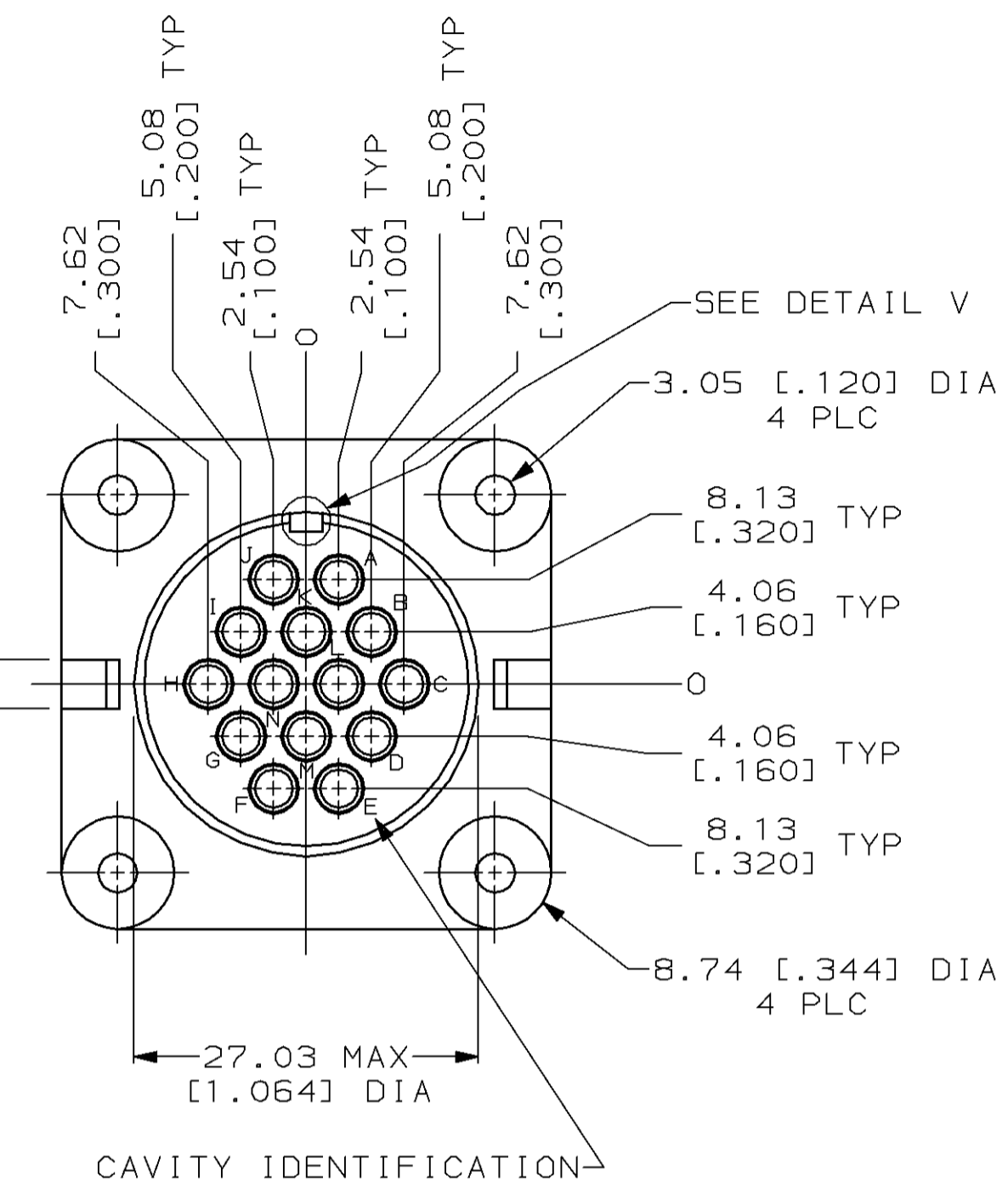
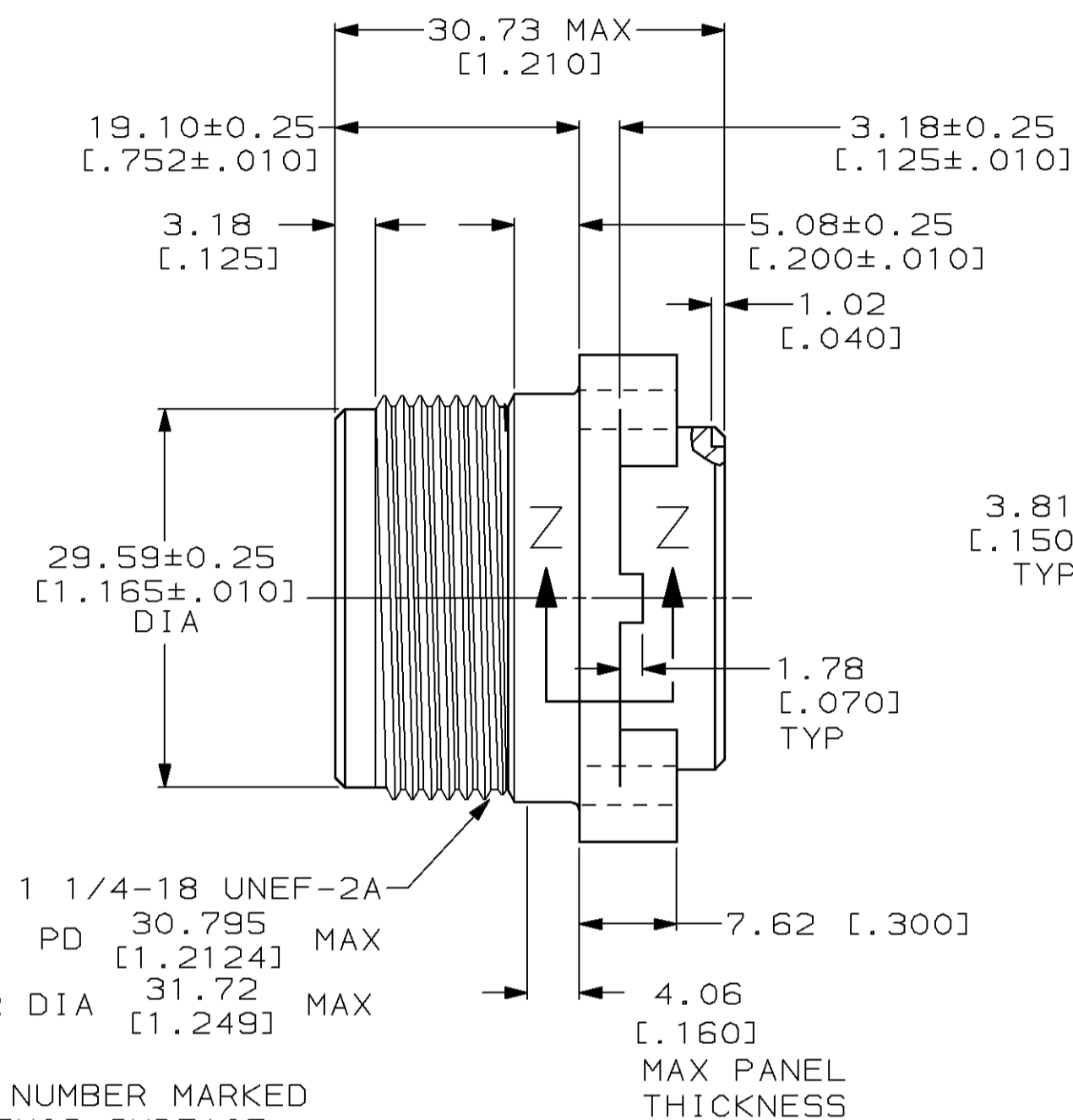
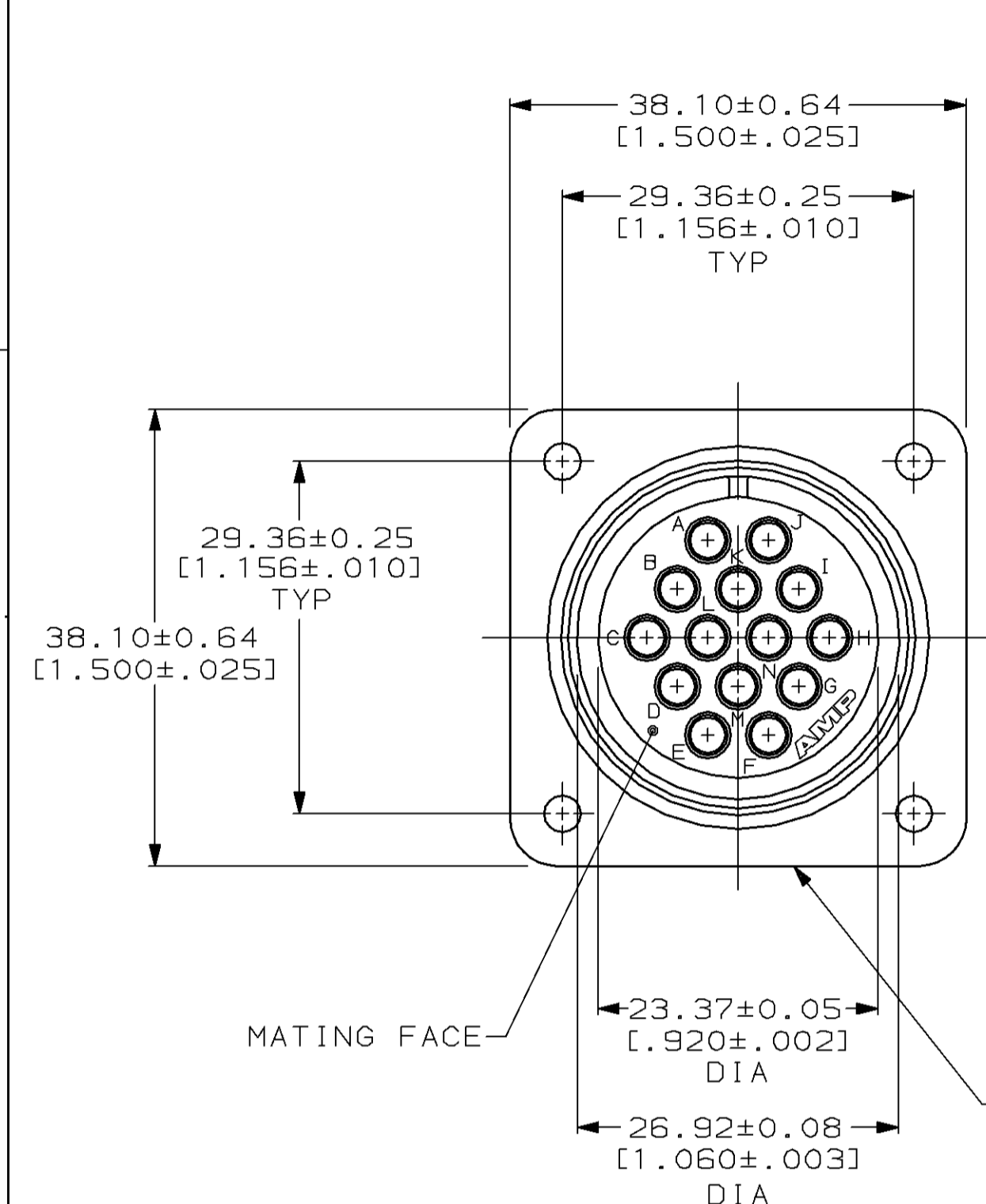
Email & Skype: info@chipsmall.com Web: www.chipsmall.com

Address: A1208, Overseas Decoration Building, #122 Zhenhua RD., Futian, Shenzhen, China



THIS DRAWING IS UNPUBLISHED. RELEASED FOR PUBLICATION, 19 .  
 © COPYRIGHT 19 BY AMP INCORPORATED. ALL INTERNATIONAL RIGHTS RESERVED.

MOD	Loc	DIST	P	F	REVISIONS			DATE	APPD
					ZONE	LTR	DESCRIPTION		
4	BD	35			D	REV PER EC	0020-299-93	04/07/93	RW
					E	REV PER EC	0020-155-94	03/09/94	AF
					F	REV PER EC	0020-0740-94	07/13/94	AF



- RECEPTACLE MATES WITH PLUG, AMP PART NO 213572-1.
- RECEPTACLE WILL ACCEPT TYPE III+ SOCKET CONTACTS.
- RECEPTACLE MATES WITH PRODUCT DESIGNED TO MIL SPEC 5015.

DO NOT SCALE PRINT. UNLESS SPECIFIED DIMENSIONS IN mm [INCHES] TOLERANCES ON : 2 PLC DEC ± 0.13 [.005] 3 PLC DEC ± - ANGLES ± -		DR 08/29/89 W.G.LENKER CHK 11-17-89 R.STONE APPD 11-17-89 M.KAPEZYNSKI APPD 12-11-89 G.J.SACUNAS		213570-1 PART NO	
MATERIAL POLYAMID, BLACK	FINISH -	APPLICATION SPEC -	PRODUCT SPEC -	AMP INCORPORATED Harrisburg, Pa. 17105	
RECEPTACLE, 20-14 ARR, REVERSE SEX, CPC				NAME	
SIZE <b>C</b>		CAGE CODE 00779	DRAWING NO 213570		
WEIGHT -		SCALE 2:1	SHEET 1 OF 1		