



Chipsmall Limited consists of a professional team with an average of over 10 year of expertise in the distribution of electronic components. Based in Hongkong, we have already established firm and mutual-benefit business relationships with customers from,Europe,America and south Asia,supplying obsolete and hard-to-find components to meet their specific needs.

With the principle of “Quality Parts,Customers Priority,Honest Operation,and Considerate Service”,our business mainly focus on the distribution of electronic components. Line cards we deal with include Microchip,ALPS,ROHM,Xilinx,Pulse,ON,Everlight and Freescale. Main products comprise IC,Modules,Potentiometer,IC Socket,Relay,Connector.Our parts cover such applications as commercial,industrial, and automotives areas.

We are looking forward to setting up business relationship with you and hope to provide you with the best service and solution. Let us make a better world for our industry!



Contact us

Tel: +86-755-8981 8866 Fax: +86-755-8427 6832

Email & Skype: info@chipsmall.com Web: www.chipsmall.com

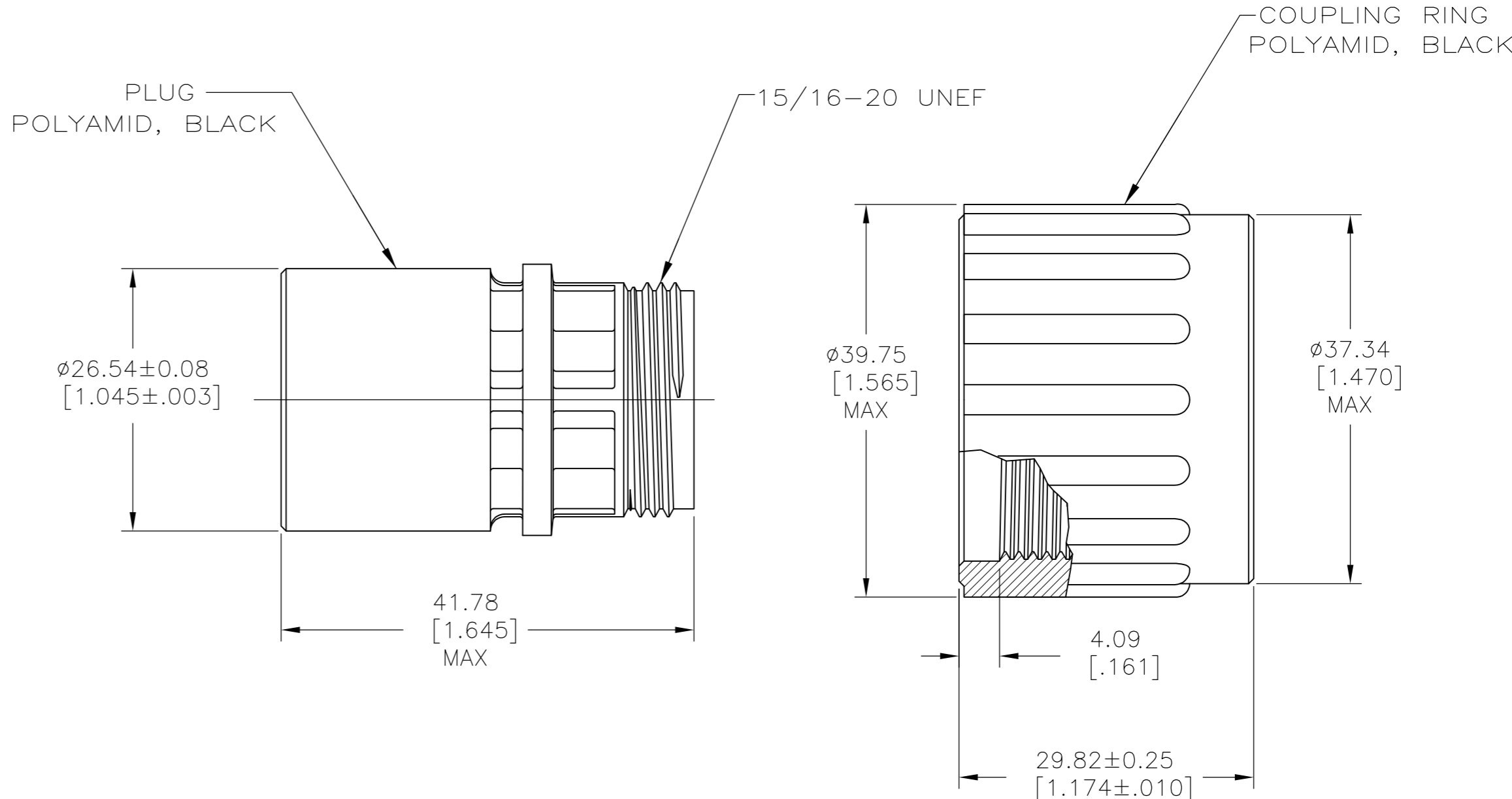
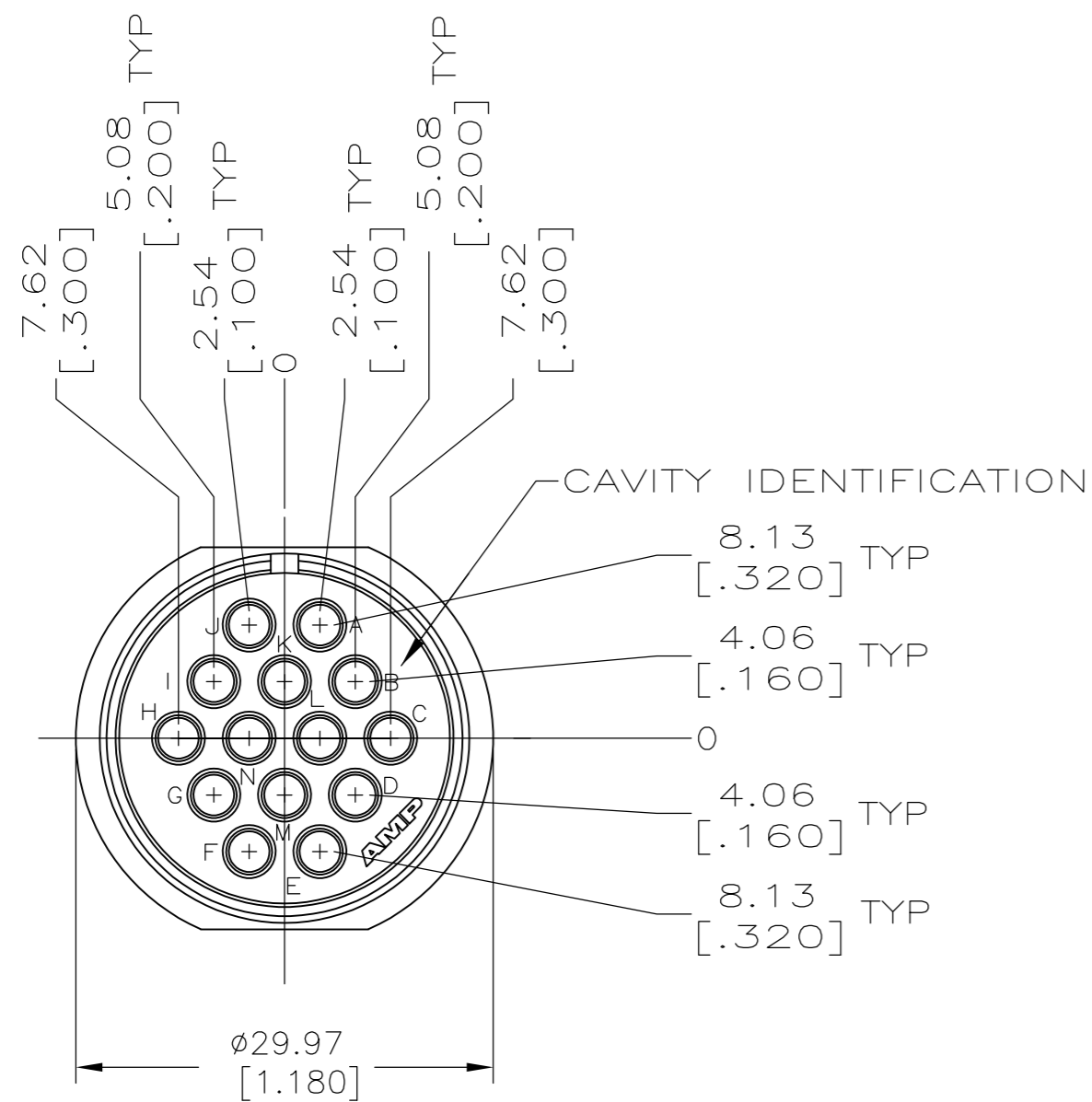
Address: A1208, Overseas Decoration Building, #122 Zhenhua RD., Futian, Shenzhen, China



THIS DRAWING IS UNPUBLISHED. RELEASED FOR PUBLICATION
 © COPYRIGHT BY TYCO ELECTRONICS CORPORATION. ALL INTERNATIONAL RIGHTS RESERVED.

LOC	DIST	REVISIONS			
P	LTR	DESCRIPTION	DATE	DWN	APVD
BD	35				
		D	REDRAWN PER ECO-09-000587	15JAN09	HMR MS

- 1 PLUG MATES WITH RECEPTACLE, AMP PART NO 213570-1.
- 2 PLUG ACCEPTS TYPE III+ PIN CONTACTS, AMP PART NO 66597-6.
- 3 PARTS BULK PACKAGED.
- 4 PLUG MATES WITH PRODUCT DESIGNED TO MIL SPEC 5015.



AS SHOWN	213571-2
OBSOLETE	213571-1
PART NO	

THIS DRAWING IS A CONTROLLED DOCUMENT.		DWN RAGHAVENDRA 15JAN09	Tyco Electronics Corporation Harrisburg, PA 17105-3608	
DIMENSIONS: mm [INCHES]		CHK SARVER MICHAEL 15JAN09	NAME PLUG KIT, UNASSEMBLED, REVERSE SEX, 20-14 ARR, CPC	
TOLERANCES UNLESS OTHERWISE SPECIFIED:		APVD SARVER MICHAEL 15JAN09	SIZE A2	CAGE CODE 00779
0 PLC ± -		PRODUCT SPEC -	DRAWING NO C=213571	RESTRICTED TO -
1 PLC ± -		APPLICATION SPEC -	SCALE 2:1	SHEET 1 of 1
2 PLC ± 0.13 [.005]		WEIGHT -	REV D	
3 PLC ± -		CUSTOMER DRAWING		
4 PLC ± -				
ANGLES ± -				
FINISH -				
MATERIAL SEE CALLOUTS				