



Chipsmall Limited consists of a professional team with an average of over 10 year of expertise in the distribution of electronic components. Based in Hongkong, we have already established firm and mutual-benefit business relationships with customers from,Europe,America and south Asia,supplying obsolete and hard-to-find components to meet their specific needs.

With the principle of "Quality Parts,Customers Priority,Honest Operation,and Considerate Service",our business mainly focus on the distribution of electronic components. Line cards we deal with include Microchip,ALPS,ROHM,Xilinx,Pulse,ON,Everlight and Freescale. Main products comprise IC,Modules,Potentiometer,IC Socket,Relay,Connector.Our parts cover such applications as commercial,industrial, and automotives areas.

We are looking forward to setting up business relationship with you and hope to provide you with the best service and solution. Let us make a better world for our industry!



Contact us

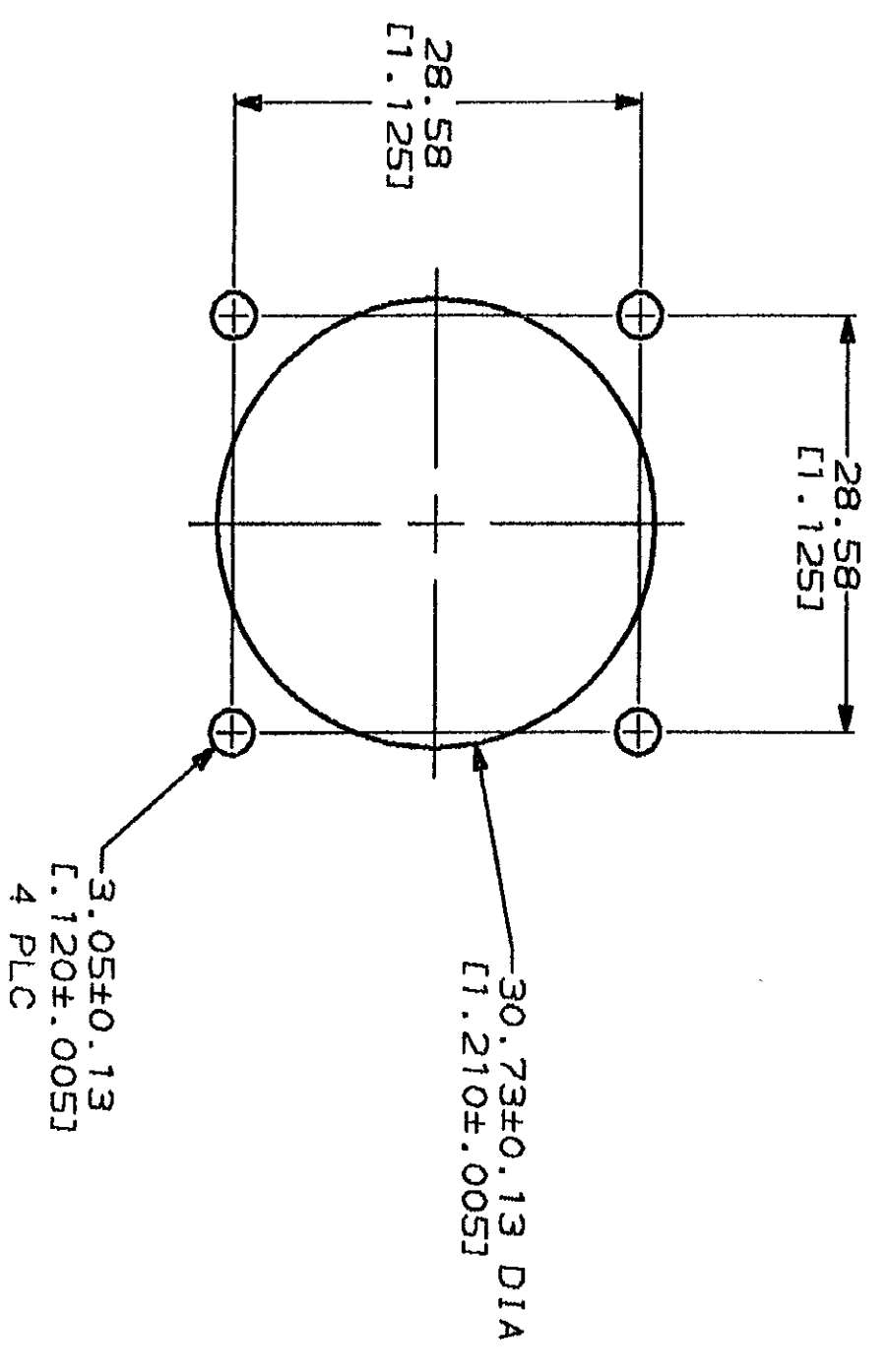
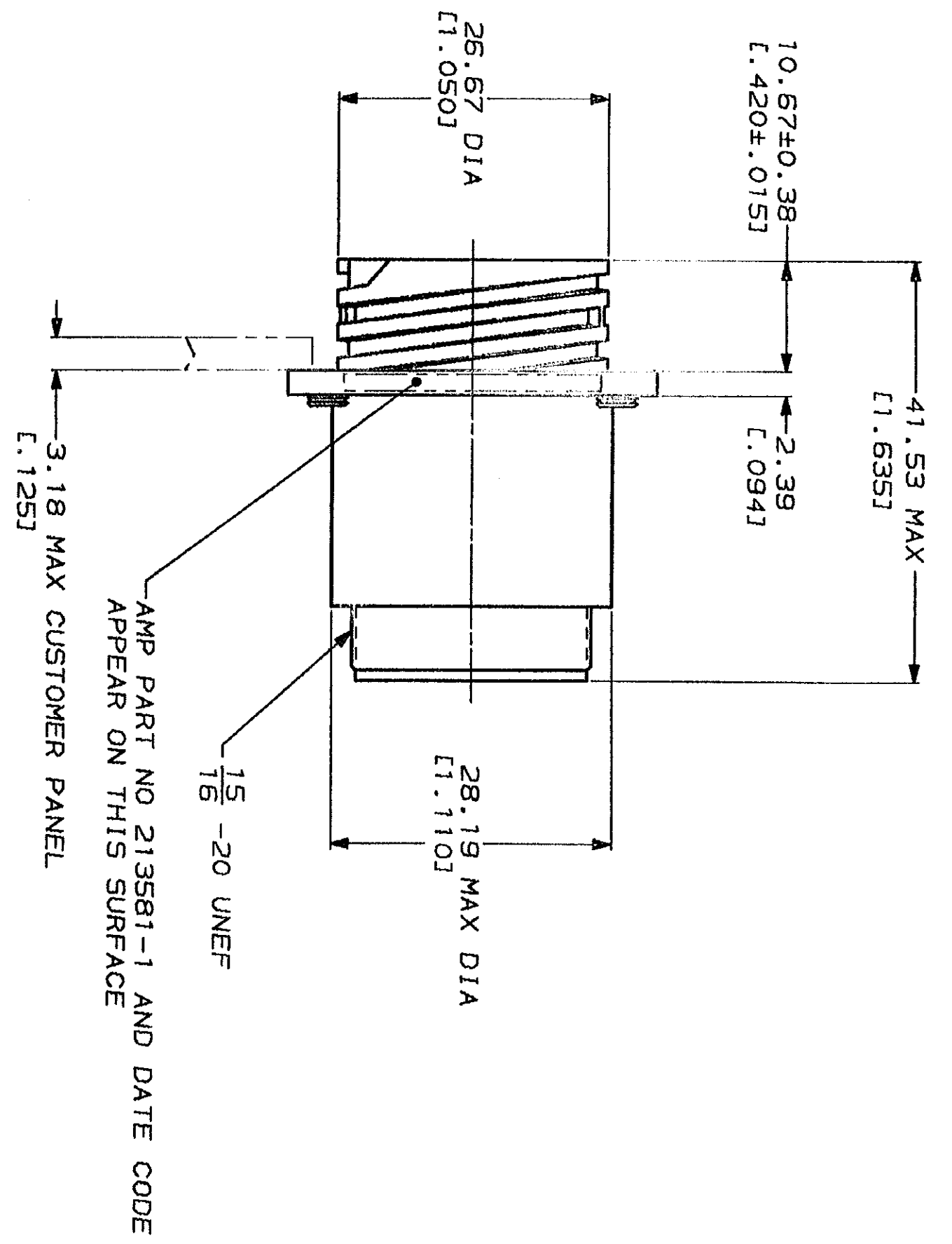
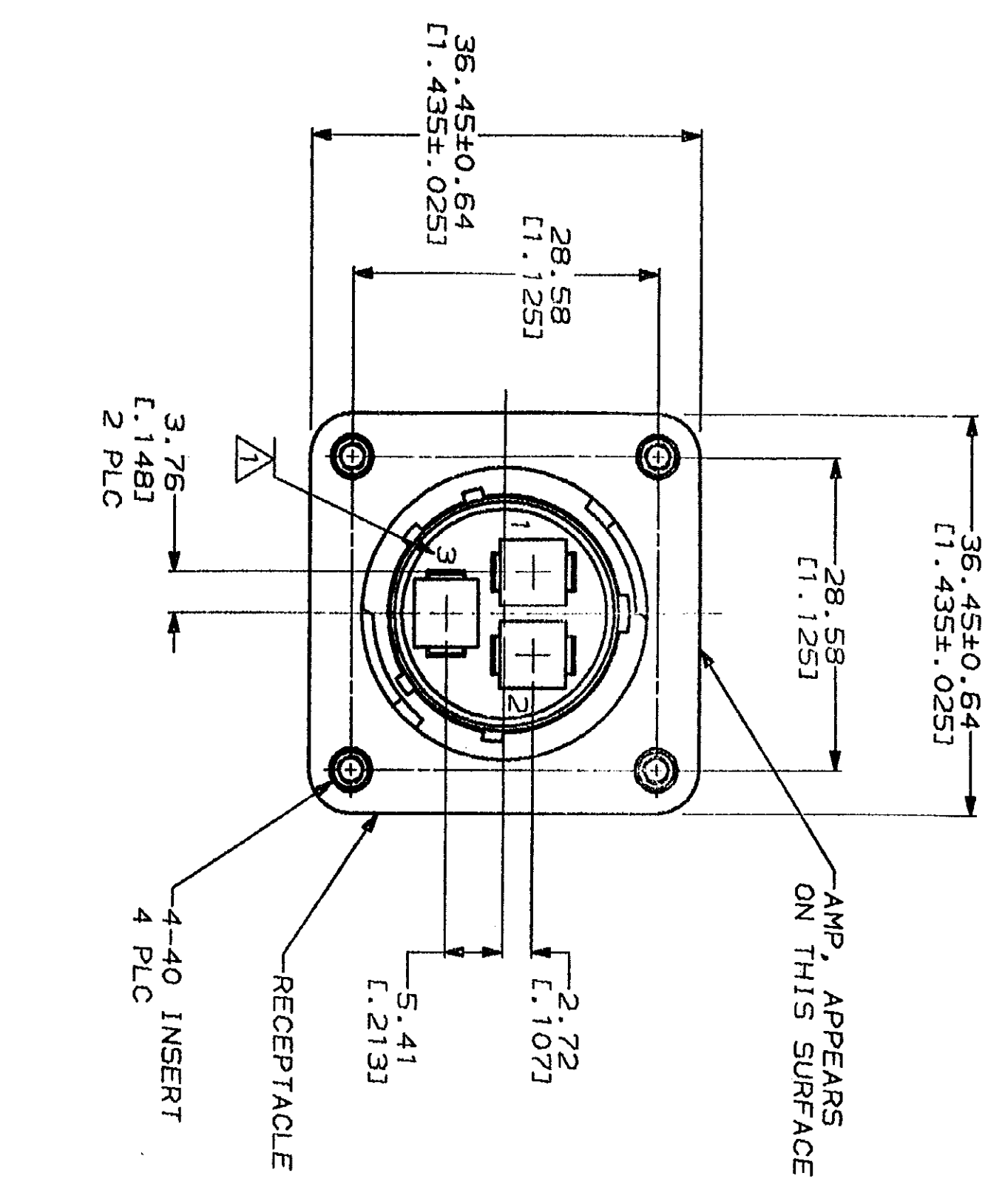
Tel: +86-755-8981 8866 Fax: +86-755-8427 6832

Email & Skype: info@chipsmall.com Web: www.chipsmall.com

Address: A1208, Overseas Decoration Building, #122 Zhenhua RD., Futian, Shenzhen, China



MOD	LOC	DIST	P	ZONE	LTR	REVISIONS	DATE	APPD
3	BD	39	V	0	RELEASED	NPR 2679	3-90	-



RECOMMENDED PANEL CUTOUT

1 CAVITY IDENTIFICATION CHARACTERS ON FRONT AND REAR FACE.
 2. WILL ACCEPT 3 TYPE XII PIN CONTACTS.

DO NOT SCALE PRINT. UNLESS SPECIFIED DIMENSIONS IN mm [INCHES] TOLERANCES ON: 2 PLC DEC ± 0.25[.010] 3 PLC DEC ± . ANGLES ± . MATERIAL INSERT: BRASS RECEPTACLE: NYLON, BLACK		DR 3-5-90 J McCLINTON	CHK - 3-8-90	APPD - 3/13/90	NAME RECEPTACLE ASSEMBLY, 17-3, STANDARD SEX, WITH 4-40 INSERT, CPC
FINISH -		APPD - 3/13/90	APPD - 3/13/90	APPD - 3/13/90	AMP INCORPORATED Harrisburg, Pa. 17105
APPLICATION SPEC		CAGE CODE 00779		DRAWING NO 213581	
WEIGHT -		SCALE 2:1		SHEET 1 OF 1	

METRIC