



Chipsmall Limited consists of a professional team with an average of over 10 year of expertise in the distribution of electronic components. Based in Hongkong, we have already established firm and mutual-benefit business relationships with customers from,Europe,America and south Asia,supplying obsolete and hard-to-find components to meet their specific needs.

With the principle of “Quality Parts,Customers Priority,Honest Operation,and Considerate Service”,our business mainly focus on the distribution of electronic components. Line cards we deal with include Microchip,ALPS,ROHM,Xilinx,Pulse,ON,Everlight and Freescale. Main products comprise IC,Modules,Potentiometer,IC Socket,Relay,Connector.Our parts cover such applications as commercial,industrial, and automotives areas.

We are looking forward to setting up business relationship with you and hope to provide you with the best service and solution. Let us make a better world for our industry!



Contact us

Tel: +86-755-8981 8866 Fax: +86-755-8427 6832

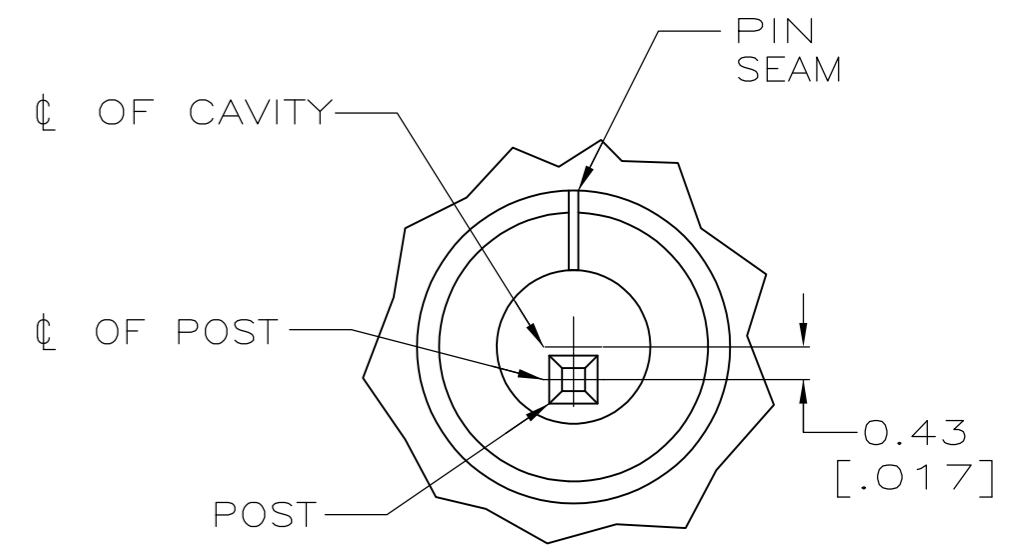
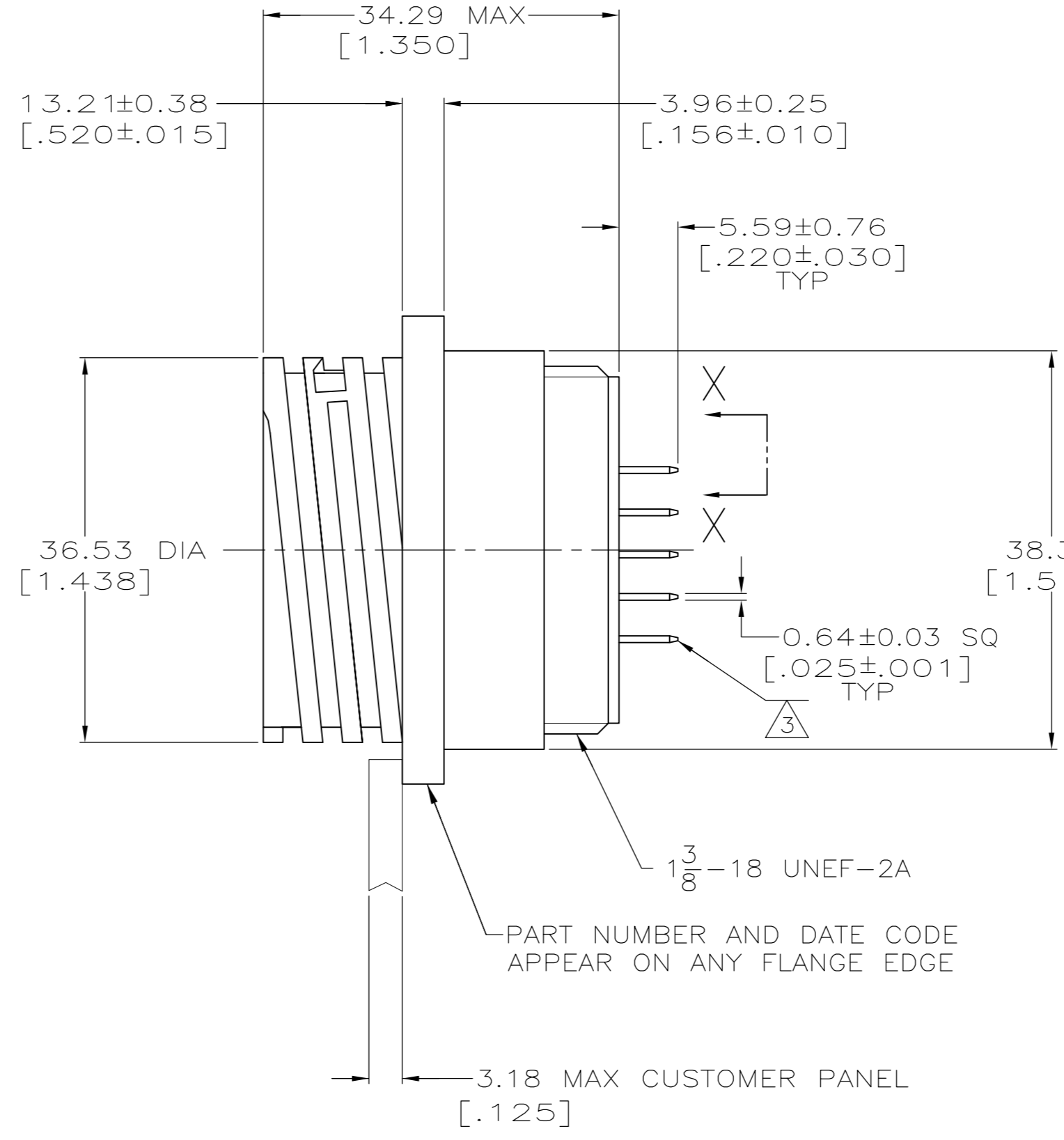
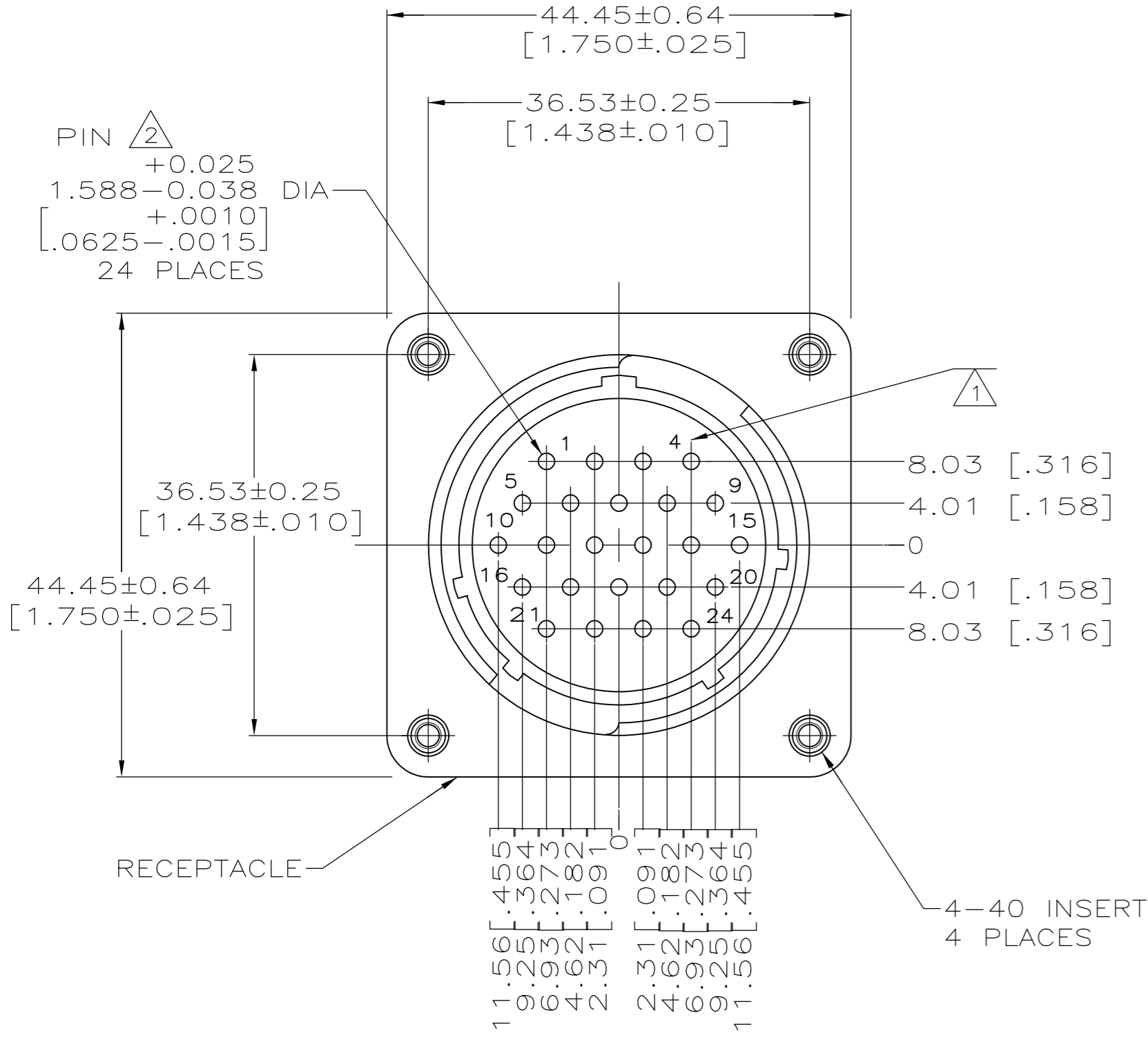
Email & Skype: info@chipsmall.com Web: www.chipsmall.com

Address: A1208, Overseas Decoration Building, #122 Zhenhua RD., Futian, Shenzhen, China

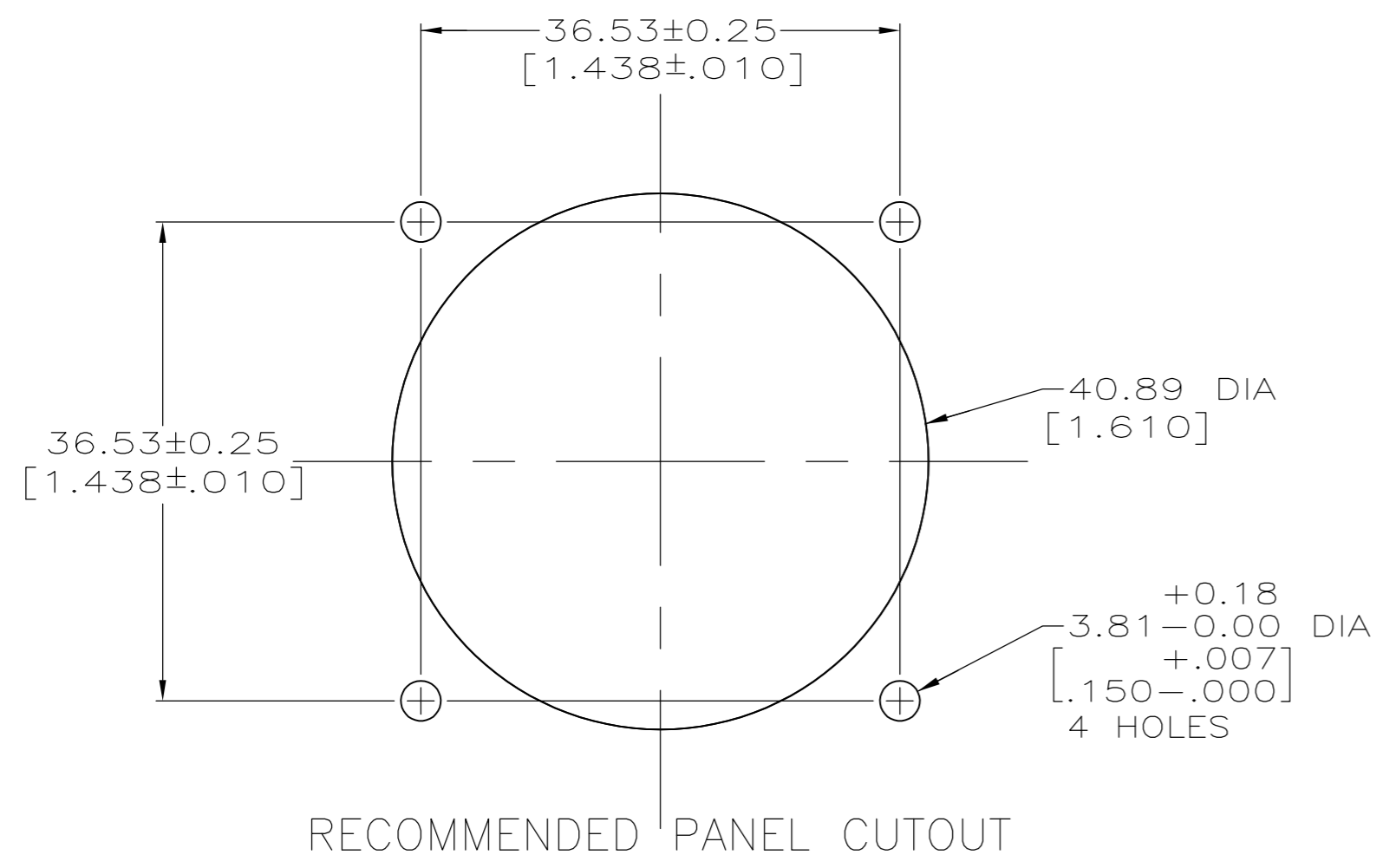


THIS DRAWING IS UNPUBLISHED. RELEASED FOR PUBLICATION
 © COPYRIGHT - By - ALL RIGHTS RESERVED.

LOC		DIST		REVISIONS			
P	LTR	DESCRIPTION	DATE	DWN	APVD		
BD	0						
		C	REVISED PER ECO-12-015665	26SEP12	KH	MZ	



VIEW X-X
 TYPICAL
 SCALE 10:1



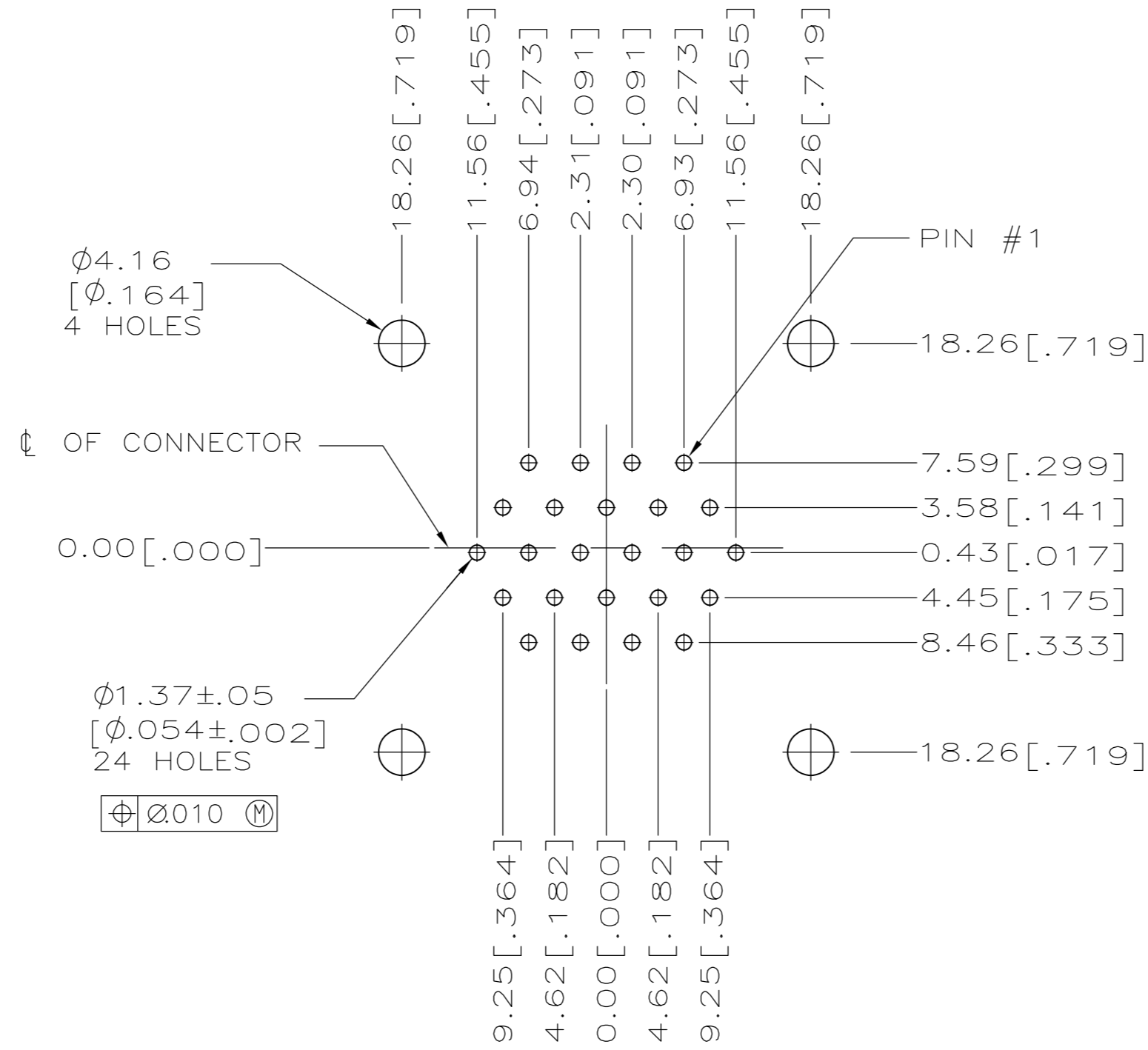
- 1 CAVITY IDENTIFICATION CHARACTERS ON FRONT AND REAR FACE.
- 2 1.27um [.000050] MIN TIN OVER NICKEL FLASH.
- 3 2.54um [.000100] MIN TIN-LEAD OVER 2.54um [.000100] MIN COPPER ON THIS END.
- 4 2.54um [.000100] MIN TIN OVER 2.54um [.000100] MIN COPPER ON THIS END.

4	213588-2
3	213588-1
POST FINISH	PART NUMBER

THIS DRAWING IS A CONTROLLED DOCUMENT.		DWN	C	DORWART	2-23-90	TE Connectivity	
DIMENSIONS: mm [INCHES]		CHK	-	APVD	-	NAME	
TOLERANCES UNLESS OTHERWISE SPECIFIED:		PRODUCT SPEC	-	APPLICATION SPEC	-	RECEPTACLE ASSEMBLY, 23-24, STANDARD SEX, POSTED CONTACTS, CPC	
0 PLC	± -	WEIGHT	-	SIZE	A2	CAGE CODE	00779
1 PLC	± -	CUSTOMER DRAWING	-	DRAWING NO	C=213588	RESTRICTED TO	-
2 PLC	± 0.13[.005]	SCALE	2:1	SHEET	1 OF 2	REV	C
3 PLC	± -						
4 PLC	± -						
ANGLES	± -						
FINISH	-						

THIS DRAWING IS UNPUBLISHED. RELEASED FOR PUBLICATION
 © COPYRIGHT - By - ALL RIGHTS RESERVED.

LOC		DIST		REVISIONS			
BD	0	P	LTR	DESCRIPTION	DATE	DWN	APVD
		-		SEE SHEET 1	-	-	-



RECOMMENDED P.C. BOARD LAYOUT

THIS DRAWING IS A CONTROLLED DOCUMENT.		DWN	2-23-90		TE TE Connectivity
DIMENSIONS: mm [INCHES]		CHK	C DORWART		
TOLERANCES UNLESS OTHERWISE SPECIFIED:		APVD	-		NAME RECEPTACLE ASSEMBLY, 23-24, STANDARD SEX, POSTED CONTACTS, CPC
0 PLC ± - 1 PLC ± - 2 PLC ± 0.13 [.005] 3 PLC ± - 4 PLC ± - ANGLES ± -		PRODUCT SPEC	-		
MATERIAL INSERT AND PIN: BRASS		FINISH	-		SIZE A2
		WEIGHT	-		CAGE CODE 00779
		CUSTOMER DRAWING			DRAWING NO C=213588
		SCALE	2:1		RESTRICTED TO -
		SHEET	2 OF 2		REV C