



Chipsmall Limited consists of a professional team with an average of over 10 year of expertise in the distribution of electronic components. Based in Hongkong, we have already established firm and mutual-benefit business relationships with customers from,Europe,America and south Asia,supplying obsolete and hard-to-find components to meet their specific needs.

With the principle of “Quality Parts,Customers Priority,Honest Operation,and Considerate Service”,our business mainly focus on the distribution of electronic components. Line cards we deal with include Microchip,ALPS,ROHM,Xilinx,Pulse,ON,Everlight and Freescale. Main products comprise IC,Modules,Potentiometer,IC Socket,Relay,Connector.Our parts cover such applications as commercial,industrial, and automotives areas.

We are looking forward to setting up business relationship with you and hope to provide you with the best service and solution. Let us make a better world for our industry!



Contact us

Tel: +86-755-8981 8866 Fax: +86-755-8427 6832

Email & Skype: info@chipsmall.com Web: www.chipsmall.com

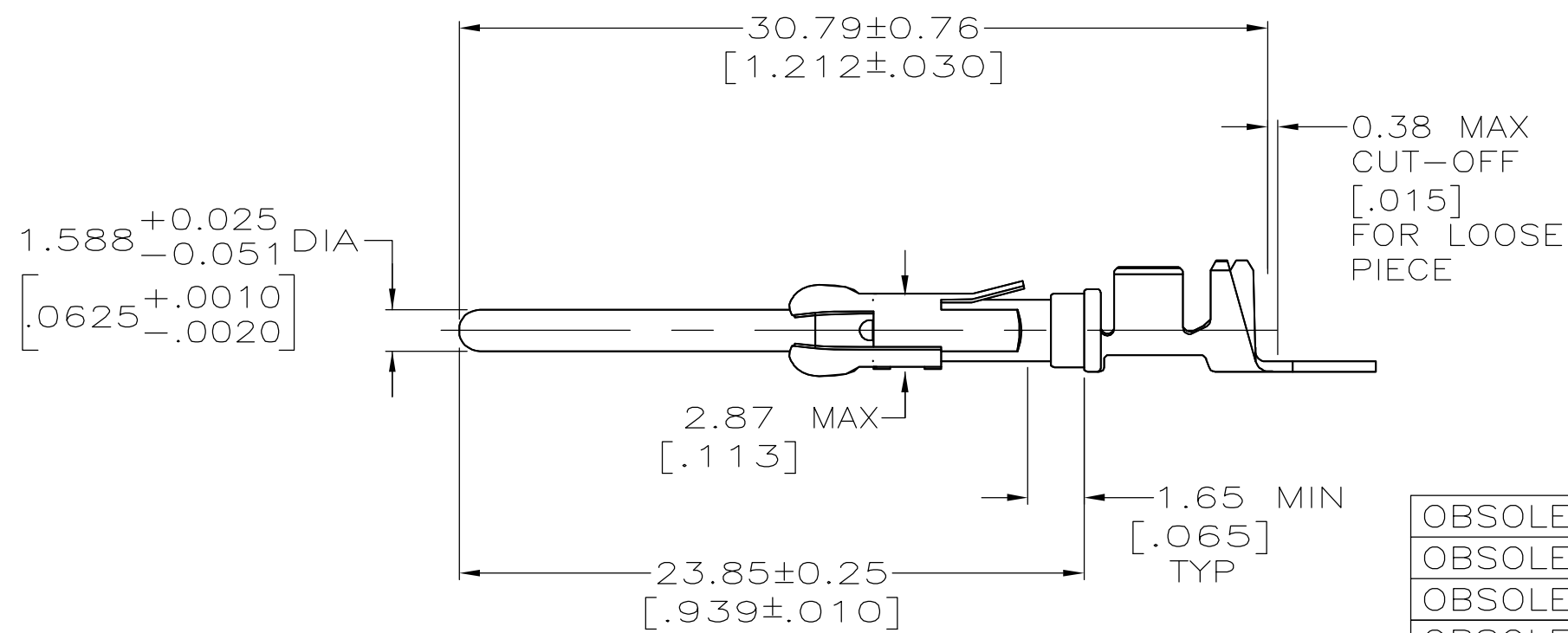
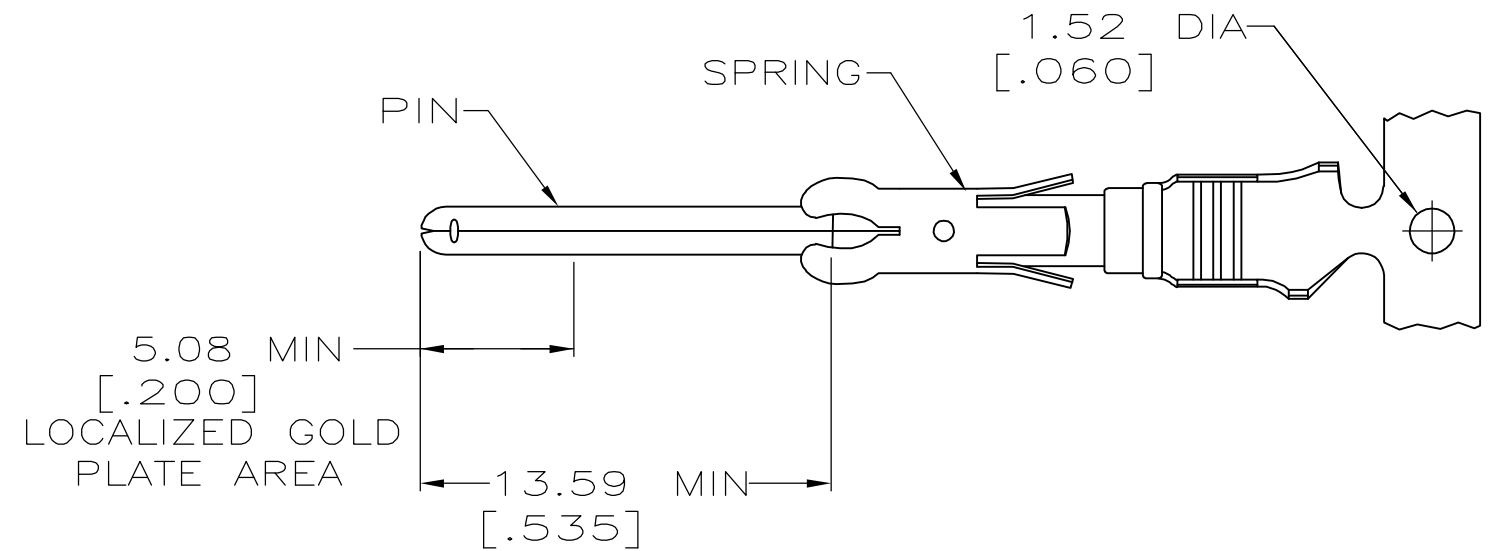
Address: A1208, Overseas Decoration Building, #122 Zhenhua RD., Futian, Shenzhen, China



THIS DRAWING IS UNPUBLISHED. RELEASED FOR PUBLICATION
 © COPYRIGHT BY TYCO ELECTRONICS CORPORATION. ALL RIGHTS RESERVED.

LOC	DIST	REVISIONS			
P	LTR	DESCRIPTION	DATE	DWN	APVD
FT	0	F1	REVISED PER ECO-06-13762	6/19/06	SS SRY

- 1 STAINLESS STEEL.
- 2 BRASS.
- 3 1.27um [.000050] MIN TIN-LEAD OVER 1.27um [.000050] MIN NICKEL.
- 4 WIRE RANGE: 20-24 AWG. INSULATION RANGE: 1.52-3.05 [.060-.120] DIA.
- 5 0.38um [.000015] MIN GOLD IN LOCALIZED GOLD PLATE AREA, OVER 1.27um [.000050] MIN NICKEL.
- 6 0.76um [.000030] MIN GOLD IN LOCALIZED GOLD PLATE AREA, OVER 1.27um [.000050] MIN NICKEL.
- 7 1.27um [.000050] MIN TIN OVER 1.27um [.000050] MIN NICKEL.



	DESCRIPTION	PIN FINISH	PART NO.
	STRIP	7	213605-7
OBSOLETE	LOOSE PIECE	6	213605-6
OBSOLETE	STRIP	6	213605-5
OBSOLETE	LOOSE PIECE	5	213605-4
OBSOLETE	STRIP	5	213605-3
OBSOLETE	LOOSE PIECE	3	213605-2
	STRIP	3	213605-1

THIS DRAWING IS A CONTROLLED DOCUMENT.		DWN L.SIPE 05/07/90	Tyco Electronics Corporation Harrisburg, PA 17105-3608			
DIMENSIONS: mm [INCHES]		CHK R.STONE 5-17-90				
TOLERANCES UNLESS OTHERWISE SPECIFIED:		APVD -	NAME			
0 PLC ± - 1 PLC ± - 2 PLC ± 0.13 [.005] 3 PLC ± - 4 PLC ± - ANGLES ± -		PRODUCT SPEC -	PIN ASSEMBLY, 5015 SERIES, 20-24 AWG, SPECIAL TYPE III+			
MATERIAL		APPLICATION SPEC -	SIZE	CAGE CODE	DRAWING NO	RESTRICTED TO
SPRING: 1 PIN: 2		WEIGHT -	A3	00779	C-213605	-
FINISH		CUSTOMER DRAWING		SCALE	SHEET	REV
PIN: SEE TABLE				4:1	1 OF 1	F1