



Chipsmall Limited consists of a professional team with an average of over 10 year of expertise in the distribution of electronic components. Based in Hongkong, we have already established firm and mutual-benefit business relationships with customers from,Europe,America and south Asia,supplying obsolete and hard-to-find components to meet their specific needs.

With the principle of “Quality Parts,Customers Priority,Honest Operation,and Considerate Service”,our business mainly focus on the distribution of electronic components. Line cards we deal with include Microchip,ALPS,ROHM,Xilinx,Pulse,ON,Everlight and Freescale. Main products comprise IC,Modules,Potentiometer,IC Socket,Relay,Connector.Our parts cover such applications as commercial,industrial, and automotives areas.

We are looking forward to setting up business relationship with you and hope to provide you with the best service and solution. Let us make a better world for our industry!



## Contact us

Tel: +86-755-8981 8866 Fax: +86-755-8427 6832

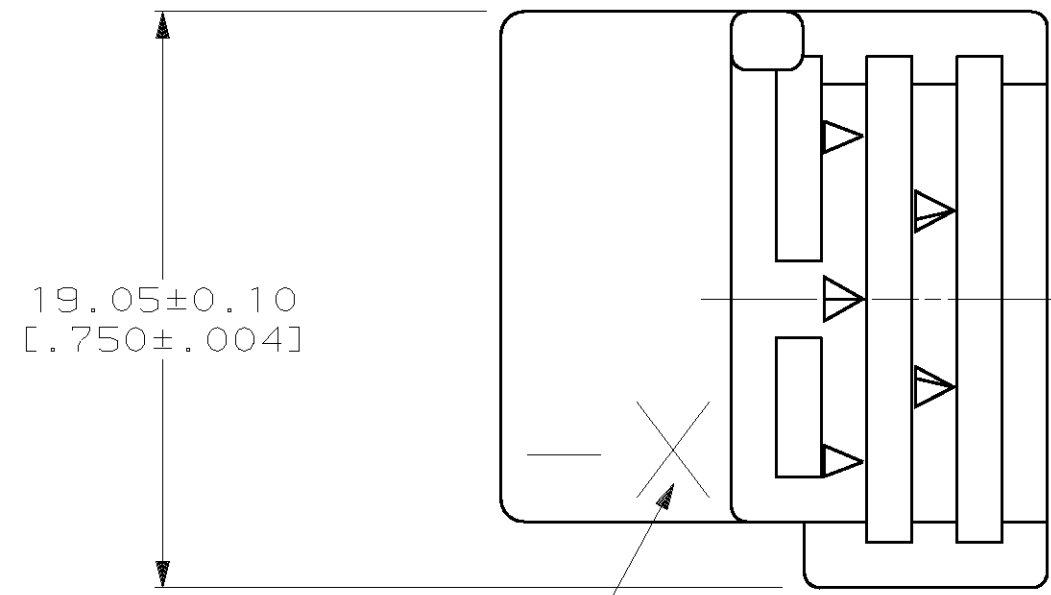
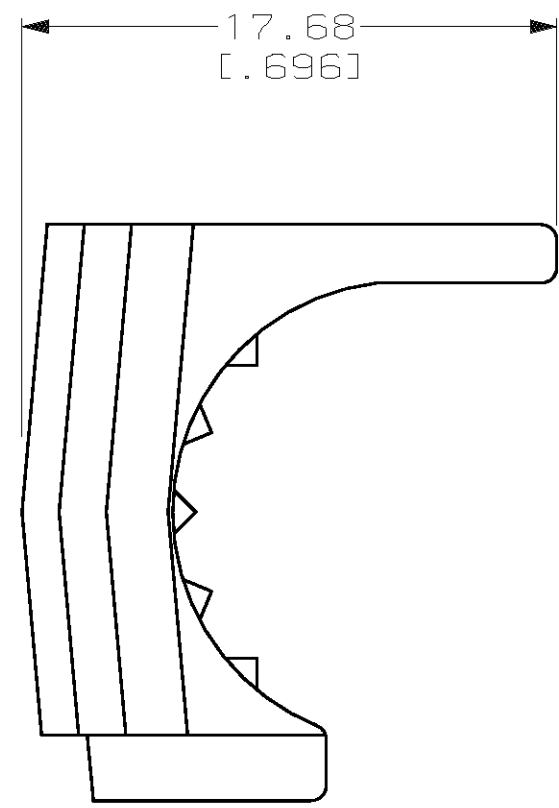
Email & Skype: info@chipsmall.com Web: www.chipsmall.com

Address: A1208, Overseas Decoration Building, #122 Zhenhua RD., Futian, Shenzhen, China

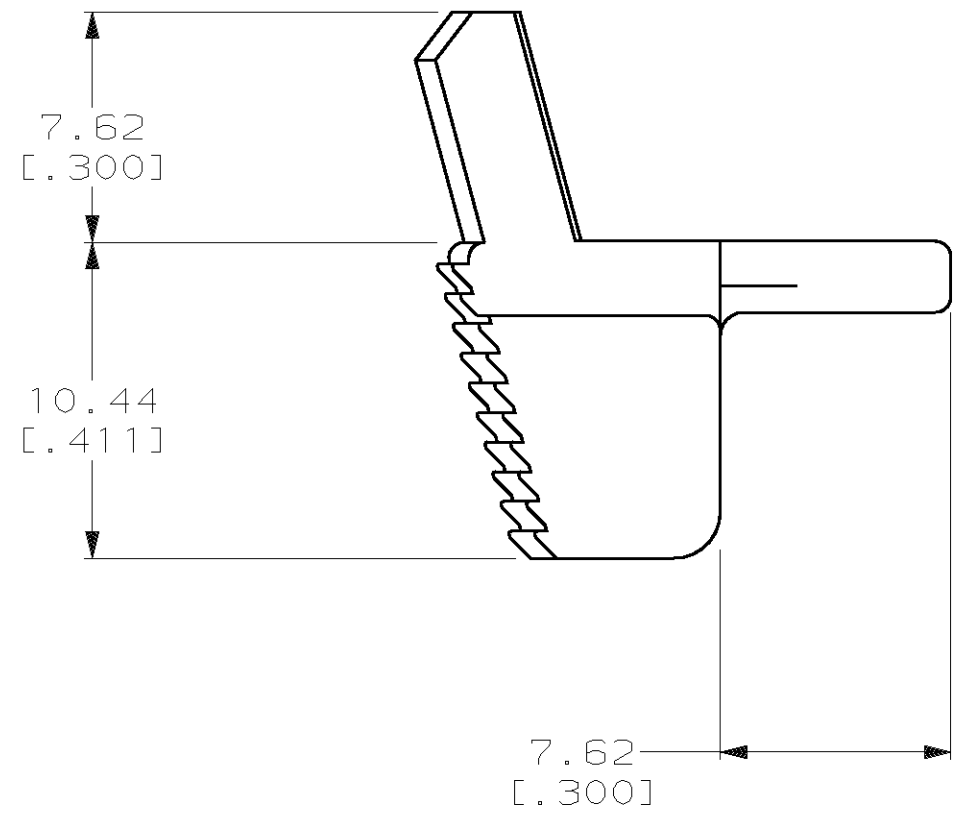


THIS DRAWING IS UNPUBLISHED. RELEASED FOR PUBLICATION ,19 .  
 © COPYRIGHT 19 BY AMP INCORPORATED. ALL INTERNATIONAL RIGHTS RESERVED.

LOC	DIST	P	F	ZONE	LTR	DESCRIPTION	DATE	APPD
BD	36				0	RELEASED	10/28/92	-
					01	ADDED -6 NPR 4978, WAS 93-4883-008-2	11/05/93	TC
					A	REV PER EC 0020-1033-95	27 NOV 95	MM
					B	REV PER EC 061C-81-99	01 JUL 99	GS



PART NO



CABLE DIAMETER	PART NO
3.81-7.62 [0.150-.300]	213621-6
7.62-10.16 [0.300-.400]	213621-4
10.16-15.24 [0.400-.600]	213621-3

1 5.08µm [0.000200] MIN NICKEL OVER 5.08µm [0.000200] MIN COPPER.

DO NOT SCALE PRINT. UNLESS SPECIFIED DIMENSIONS IN mm [INCHES] TOLERANCES ON : 2 PLC DEC ± 0.13 [0.005] 3 PLC DEC ± - ANGLES ± -	DR 10/28/92 D.GELTZ CHK 10-28-92 R.STONE APPD 10-29-92 R.S.KLINE	AMP Incorporated Harrisburg, PA 17105-3608 NAME CABLE CLAMP, M SERIES		
MATERIAL ZINC	APPD 10-29-92 R.S.KLINE PRODUCT SPEC -			
FINISH 1	APPLICATION SPEC -	SIZE C	CAGE CODE 00779	DRAWING NO C=213621
	WEIGHT -	SCALE 4:1	SHEET 1 OF 1	

THIS DRAWING IS A CONTROLLED DOCUMENT FOR AMP INCORPORATED. IT IS SUBJECT TO CHANGE AND THE CONTROLLING ENGINEERING ORGANIZATION SHOULD BE CONTACTED FOR THE LATEST REVISION.