



Chipsmall Limited consists of a professional team with an average of over 10 year of expertise in the distribution of electronic components. Based in Hongkong, we have already established firm and mutual-benefit business relationships with customers from,Europe,America and south Asia,supplying obsolete and hard-to-find components to meet their specific needs.

With the principle of “Quality Parts,Customers Priority,Honest Operation,and Considerate Service”,our business mainly focus on the distribution of electronic components. Line cards we deal with include Microchip,ALPS,ROHM,Xilinx,Pulse,ON,Everlight and Freescale. Main products comprise IC,Modules,Potentiometer,IC Socket,Relay,Connector.Our parts cover such applications as commercial,industrial, and automotives areas.

We are looking forward to setting up business relationship with you and hope to provide you with the best service and solution. Let us make a better world for our industry!



Contact us

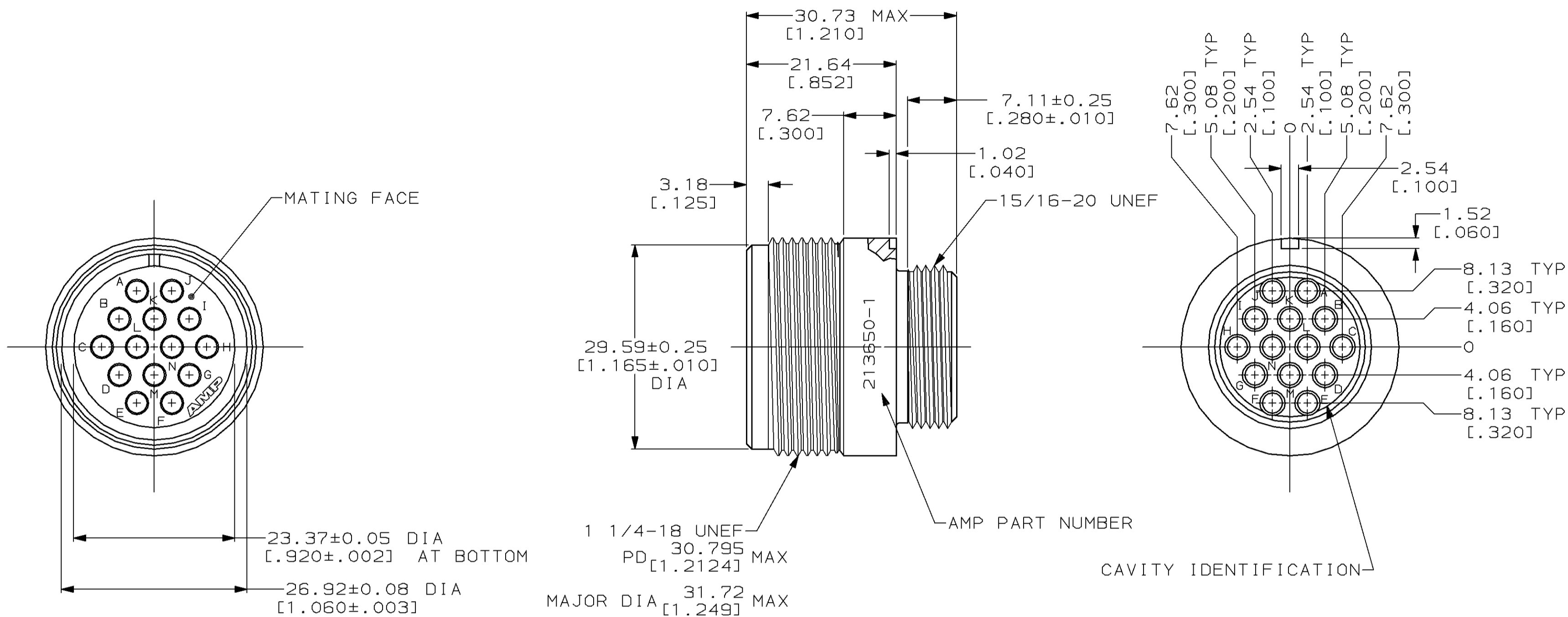
Tel: +86-755-8981 8866 Fax: +86-755-8427 6832

Email & Skype: info@chipsmall.com Web: www.chipsmall.com

Address: A1208, Overseas Decoration Building, #122 Zhenhua RD., Futian, Shenzhen, China



MOD	LOC	DIST	P	F	ZONE	LTR	DESCRIPTION	DATE	APPD
4	BD	35					RLSE PER NPR 3280, WAS 90-5029-23	01/16/91	KB
							REV PER ECN BD4781	03/12/91	-
							REV PER EC 0020-299-93	04/08/93	RW
							REV PER EC 0020-0740-94	07/13/94	AF



1. RECEPTACLE MATES WITH PLUG, AMP PART NUMBER 213572-1.
2. RECEPTACLE WILL ACCEPT TYPE III+ SOCKET CONTACTS.
3. RECEPTACLE MATES WITH PRODUCT DESIGNED TO MIL SPEC 5015.

		213650-1		
		PART NO		
DO NOT SCALE PRINT. UNLESS SPECIFIED DIMENSIONS IN mm [INCHES] TOLERANCES ON: 2 PLC DEC ± 0.13 [.005] 3 PLC DEC ± - ANGLES ± -	DR 01/16/91 L.SIPE	AMP Incorporated Harrisburg, PA 17105-3608		
	CHK 1-30-91 R.STONE			
	MATERIAL POLYAMID, BLACK	APPD 1-30-91 K.BEAVER APPD 1-31-91 J.FULPONI PRODUCT SPEC 108-10024	NAME RECEPTACLE, 20-14 ARR, REVERSE SEX, CPC	
FINISH -	APPLICATION SPEC 114-10004	SIZE C	CAGE CODE 00779	DRAWING NO 213650
	WEIGHT -	SCALE 2:1	SHEET 1 OF 1	