



Chipsmall Limited consists of a professional team with an average of over 10 year of expertise in the distribution of electronic components. Based in Hongkong, we have already established firm and mutual-benefit business relationships with customers from,Europe,America and south Asia,supplying obsolete and hard-to-find components to meet their specific needs.

With the principle of “Quality Parts,Customers Priority,Honest Operation,and Considerate Service”,our business mainly focus on the distribution of electronic components. Line cards we deal with include Microchip,ALPS,ROHM,Xilinx,Pulse,ON,Everlight and Freescale. Main products comprise IC,Modules,Potentiometer,IC Socket,Relay,Connector.Our parts cover such applications as commercial,industrial, and automotives areas.

We are looking forward to setting up business relationship with you and hope to provide you with the best service and solution. Let us make a better world for our industry!



## Contact us

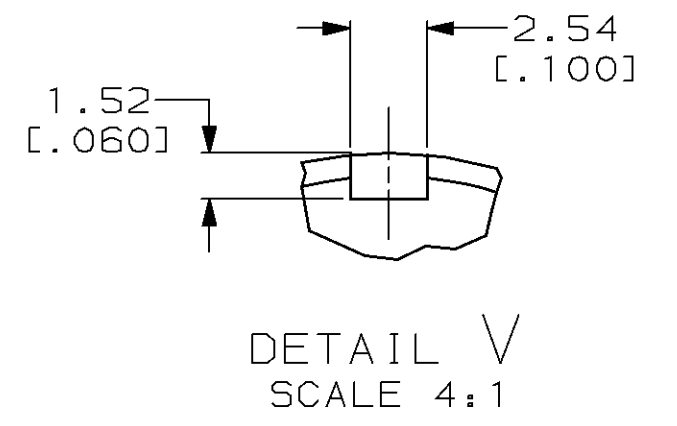
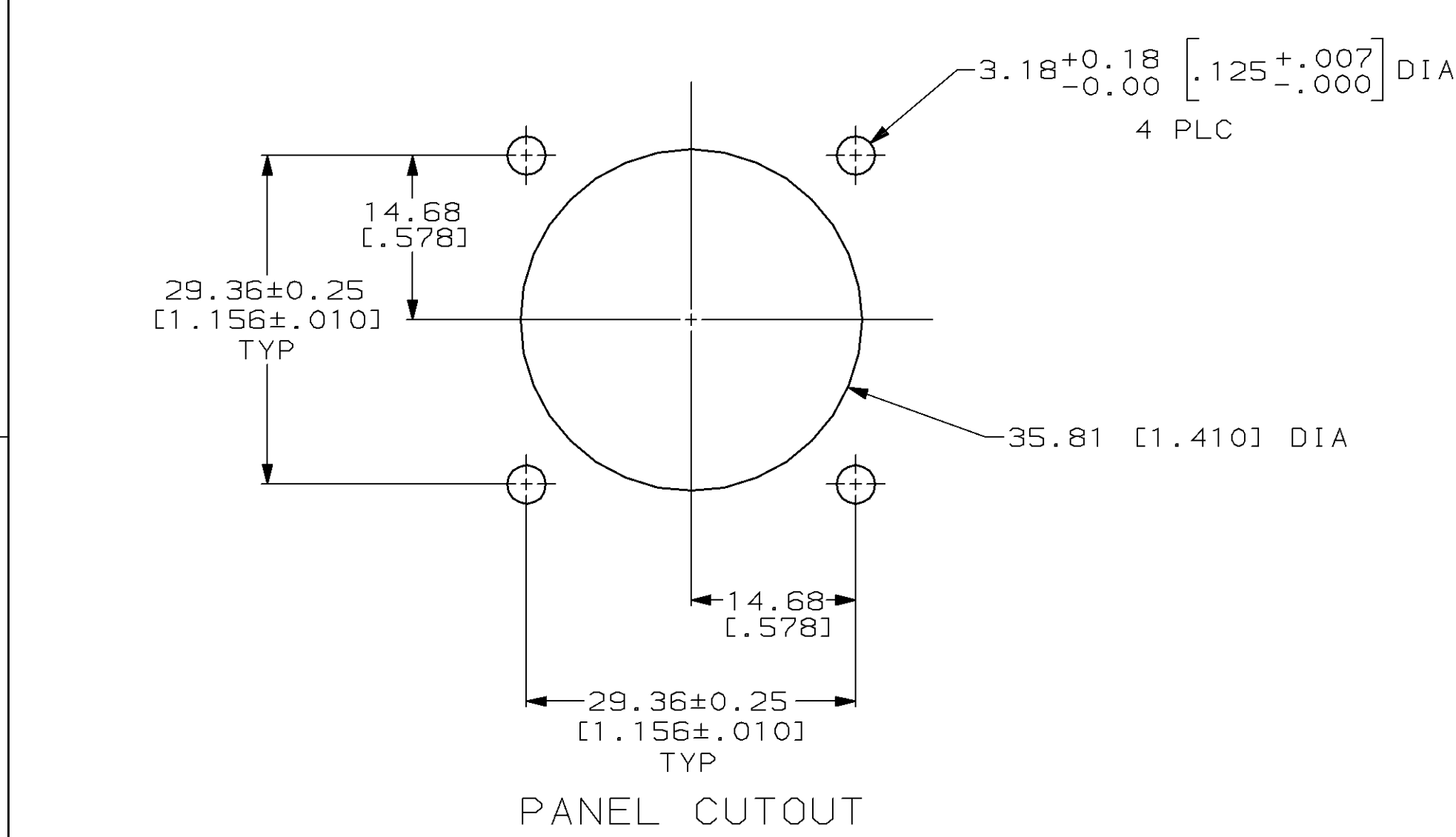
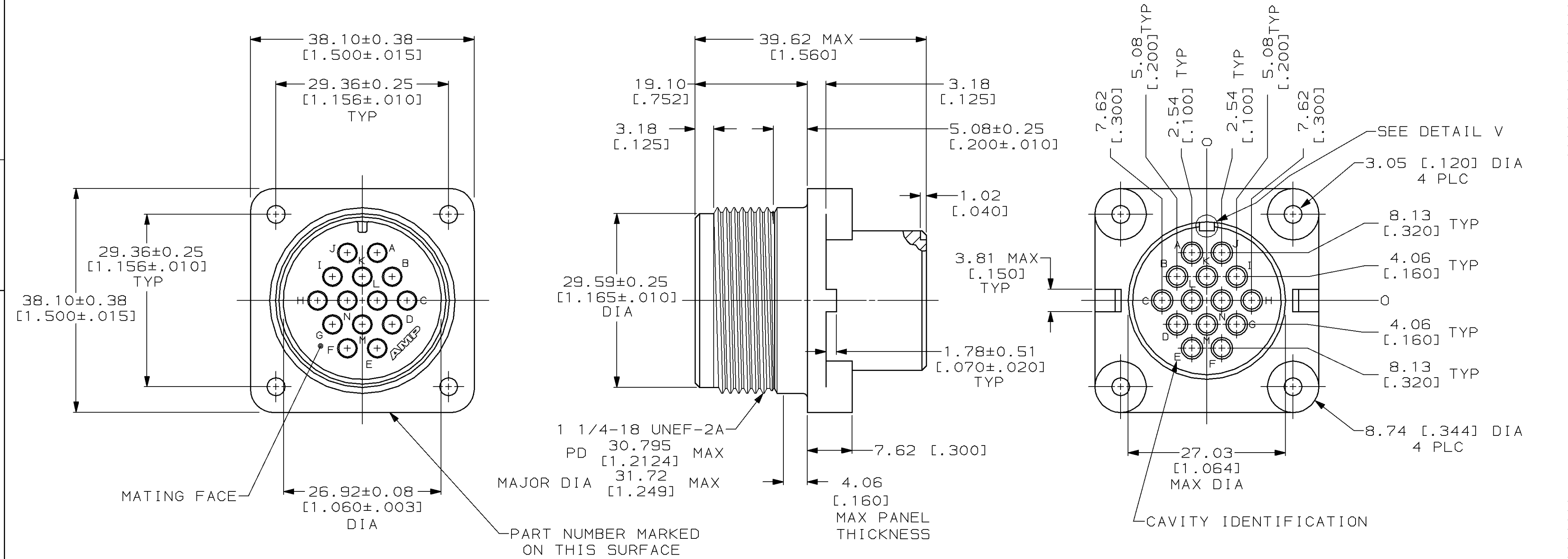
Tel: +86-755-8981 8866 Fax: +86-755-8427 6832

Email & Skype: info@chipsmall.com Web: www.chipsmall.com

Address: A1208, Overseas Decoration Building, #122 Zhenhua RD., Futian, Shenzhen, China



LOC	DIST	P	F	ZONE	LTR	REVISIONS		
						DESCRIPTION	DATE	APPD
BD	35				C	REV PER EC 0020-299-93	04/12/93	RW
					D	REV PER EC 0020-155-94	03/10/94	AF
					E	REV PER EC 0020-0740-94	07/13/94	AF
					F	REV PER EC 0020-0657-95	06/27/95	RB



1. RECEPTACLE MATES WITH PRODUCT DESIGNED TO MIL SPEC 5015.
2. RECEPTACLE WILL ACCEPT TYPE III+ PIN CONTACTS.

DO NOT SCALE PRINT. UNLESS SPECIFIED DIMENSIONS IN mm [INCHES] TOLERANCES ON:		DR 01/17/91 L.SIPE		213651-1	
2 PLC DEC ± 0.13 [0.005]		CHK 1-30-91 R.STONE		PART NO	
3 PLC DEC ± -		APPD 1-30-91 K.BEAVER		AMP Incorporated Harrisburg, PA 17105-3608	
ANGLES ± -		APPD 1-31-91 J.FULPONI		NAME	
MATERIAL POLYAMID, BLACK		PRODUCT SPEC 108-10024		RECEPTACLE, 20-14 ARR, STANDARD SEX, CPC	
FINISH -		APPLICATION SPEC 114-10004		SIZE C	CAGE CODE 00779
		WEIGHT -		SCALE 2:1	DRAWING NO 213651
				SHEET 1 OF 1	