



Chipsmall Limited consists of a professional team with an average of over 10 year of expertise in the distribution of electronic components. Based in Hongkong, we have already established firm and mutual-benefit business relationships with customers from,Europe,America and south Asia,supplying obsolete and hard-to-find components to meet their specific needs.

With the principle of “Quality Parts,Customers Priority,Honest Operation,and Considerate Service”,our business mainly focus on the distribution of electronic components. Line cards we deal with include Microchip,ALPS,ROHM,Xilinx,Pulse,ON,Everlight and Freescale. Main products comprise IC,Modules,Potentiometer,IC Socket,Relay,Connector.Our parts cover such applications as commercial,industrial, and automotives areas.

We are looking forward to setting up business relationship with you and hope to provide you with the best service and solution. Let us make a better world for our industry!



Contact us

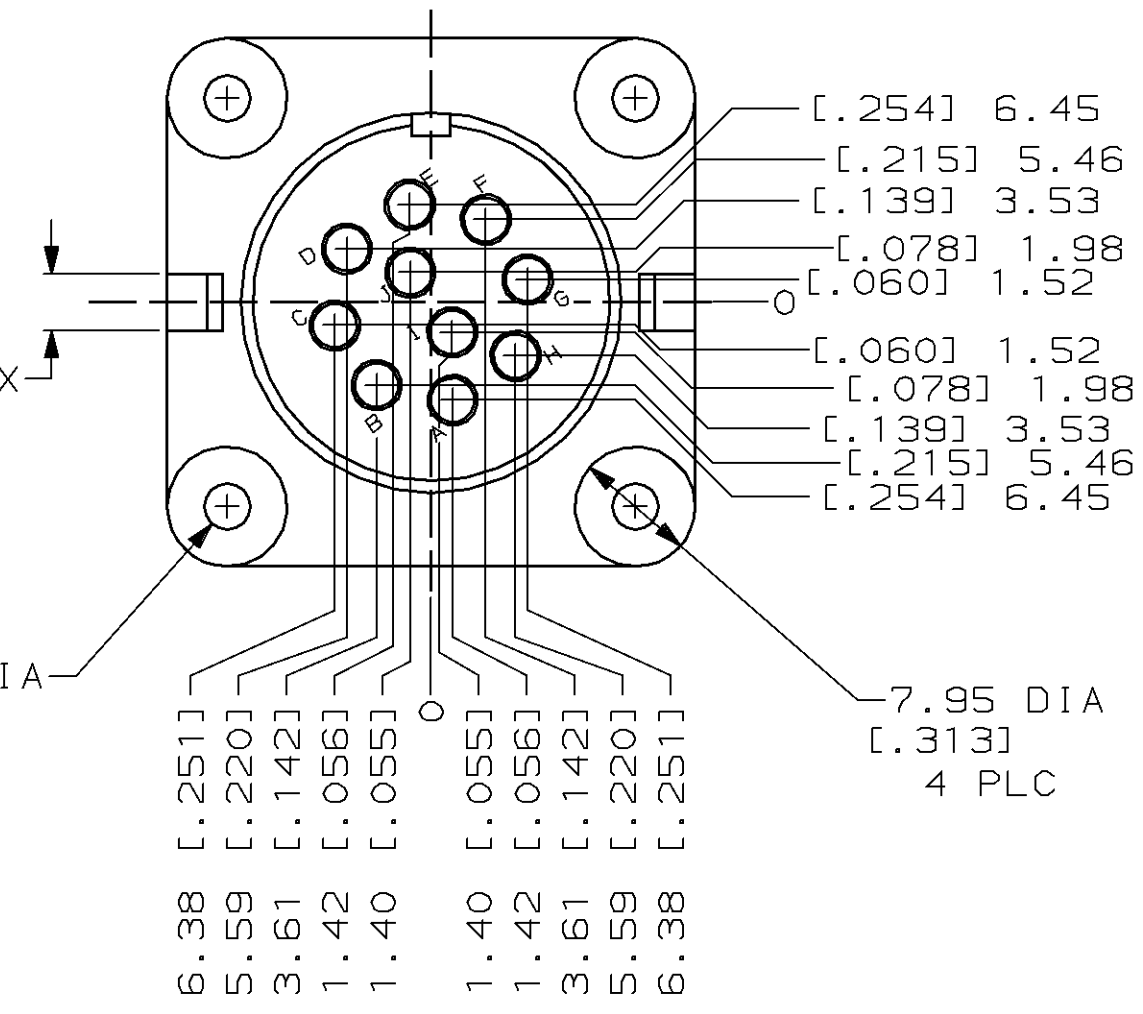
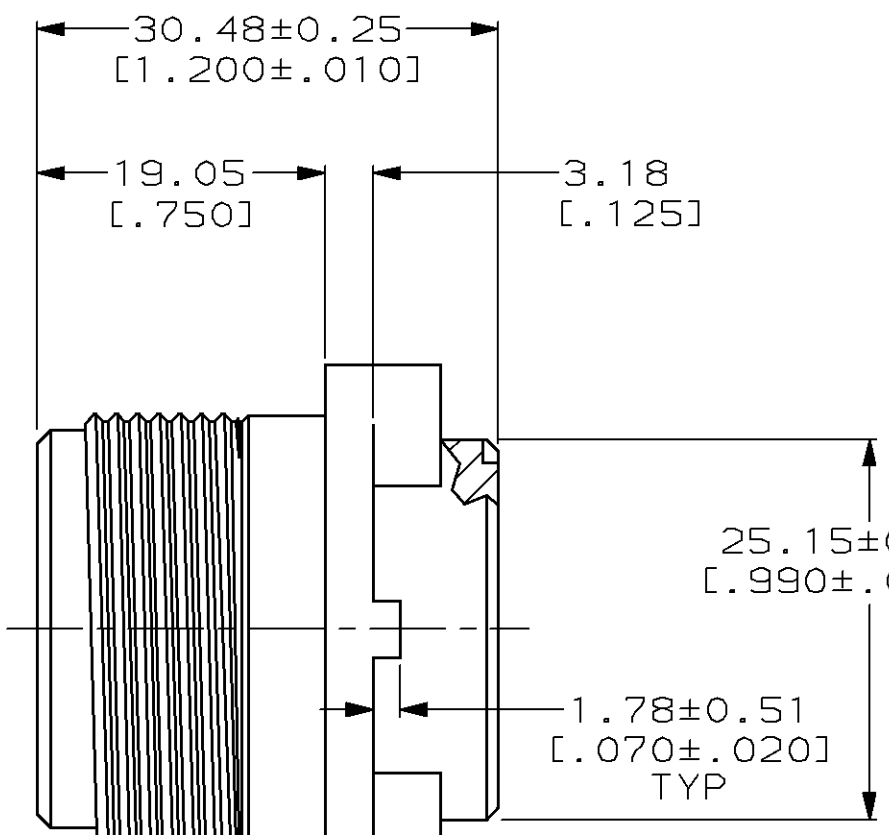
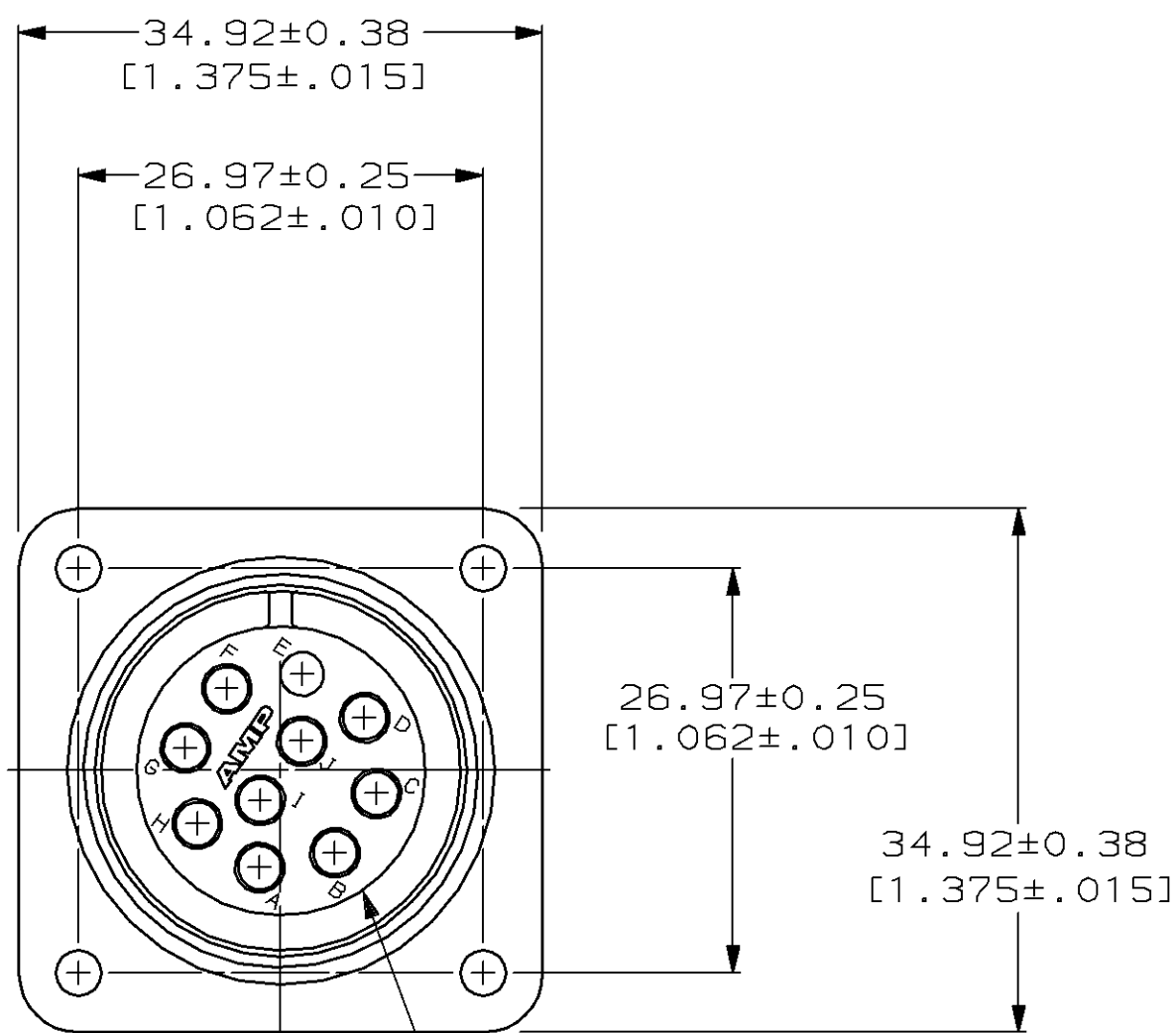
Tel: +86-755-8981 8866 Fax: +86-755-8427 6832

Email & Skype: info@chipsmall.com Web: www.chipsmall.com

Address: A1208, Overseas Decoration Building, #122 Zhenhua RD., Futian, Shenzhen, China



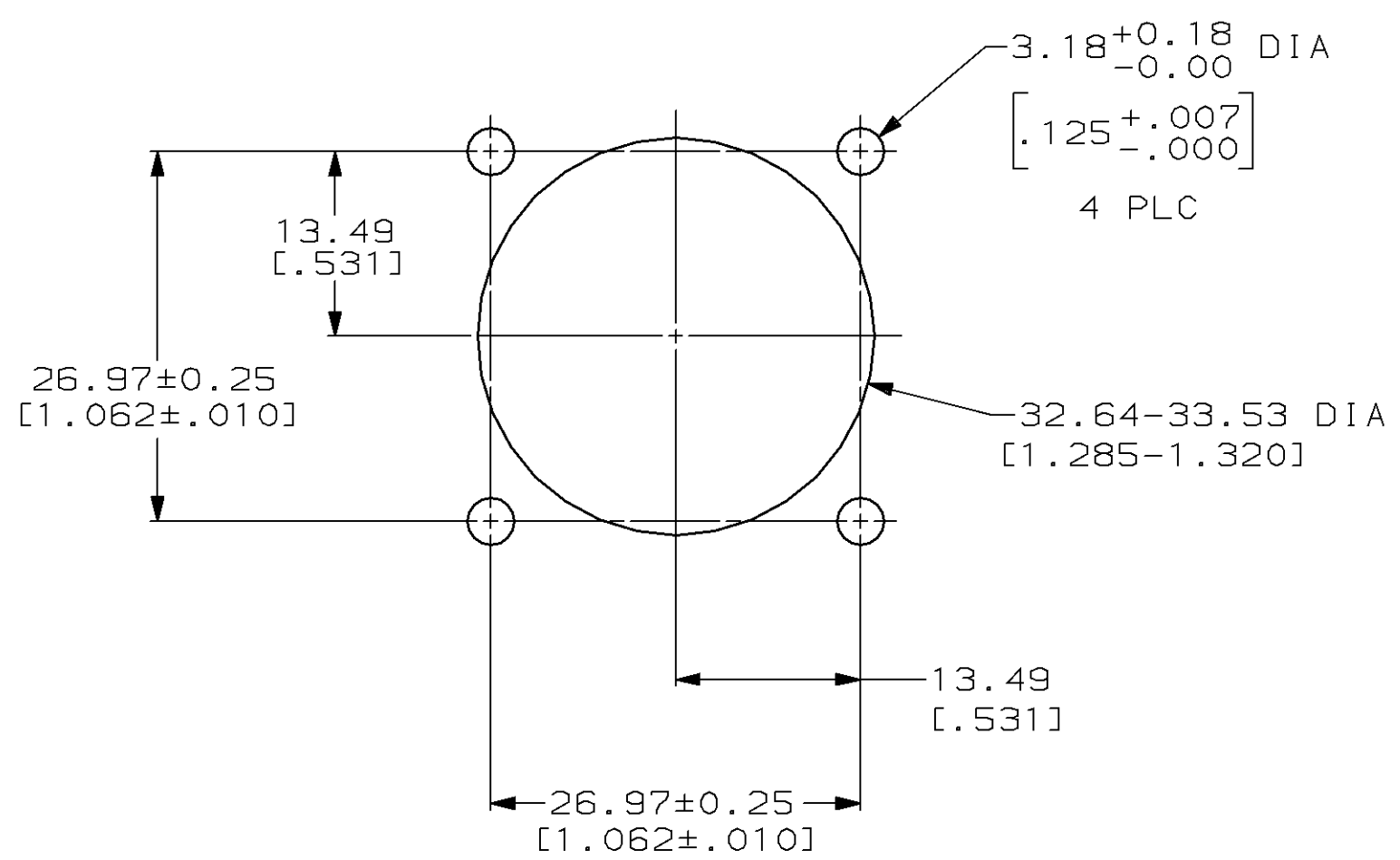
LOC	DIST	P	F	REVISIONS				
				ZONE	LTR	DESCRIPTION	DATE	APPD
BD	35			0		RLSE, WAS 91-5029-1, NPR 3371	4-91	KB
				A		REV PER ECN BD5278	08/13/91	KB
				B		REV PER ECN BD5637	05/29/92	KB
				C		REV PER EC 0020-155-94	03/10/94	AF
				D		REV PER EC 0020-0740-94	07/13/94	AF
				E		REV PER EC 0020-0657-95	06/27/95	RB



1 1/8-18 UNEF-2A
 PD 27.622 MAX
 [1.0875]
 MAJOR DIA 28.539 MAX
 [1.1236]

4.06 MAX [.160] PANEL THICKNESS
 7.62 [.300] 4 PLC

CAVITY IDENTIFICATION LETTERS BOTH SIDES



PANEL CUTOUT

- 1 AMP PART NO APPEARS ON THIS SURFACE.
- 2. THIS PART ACCEPTS TYPE III+ SOCKET CONTACTS.
- 3. RECEPTACLE MATES WITH PRODUCT DESIGNED TO MIL SPEC 5015.

DO NOT SCALE PRINT. UNLESS SPECIFIED DIMENSIONS IN mm [INCHES] TOLERANCES ON : 2 PLC DEC ± 0.13 [.005] 3 PLC DEC ± - ANGLES ± 1°		DR 4-29-91 J McCLINTON		213667-1 PART NO	
MATERIAL POLYAMID, BLACK		CHK 5-2-91 R.STONE		AMP AMP Incorporated Harrisburg, PA 17105-3608	
FINISH -		APPD 5-2-91 K.BEAVER		NAME RECEPTACLE HOUSING, 18-10, REVERSE SEX, SQUARE FLANGE, CPC	
		APPD 5-2-91 J.FULPONI		SIZE C 00779	
		PRODUCT SPEC 108-10024		DRAWING NO 213667	
		APPLICATION SPEC 114-10004		SCALE 2:1	
		WEIGHT -		SHEET 1 OF 1	