



Chipsmall Limited consists of a professional team with an average of over 10 year of expertise in the distribution of electronic components. Based in Hongkong, we have already established firm and mutual-benefit business relationships with customers from,Europe,America and south Asia,supplying obsolete and hard-to-find components to meet their specific needs.

With the principle of “Quality Parts,Customers Priority,Honest Operation,and Considerate Service”,our business mainly focus on the distribution of electronic components. Line cards we deal with include Microchip,ALPS,ROHM,Xilinx,Pulse,ON,Everlight and Freescale. Main products comprise IC,Modules,Potentiometer,IC Socket,Relay,Connector.Our parts cover such applications as commercial,industrial, and automotives areas.

We are looking forward to setting up business relationship with you and hope to provide you with the best service and solution. Let us make a better world for our industry!



Contact us

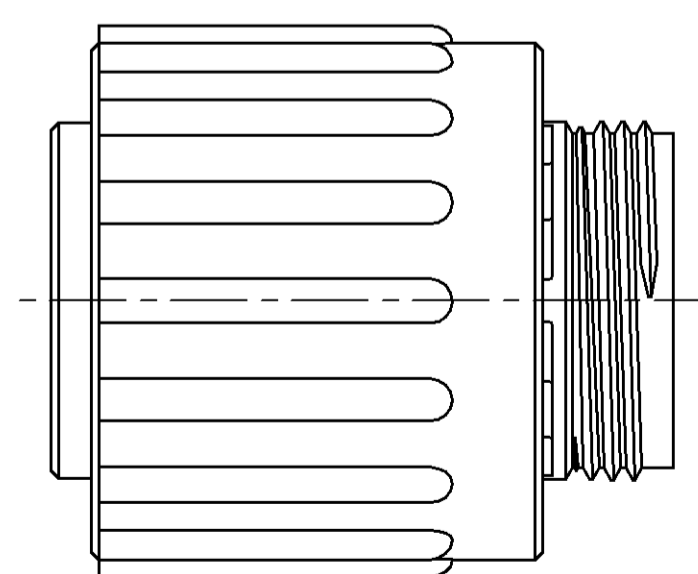
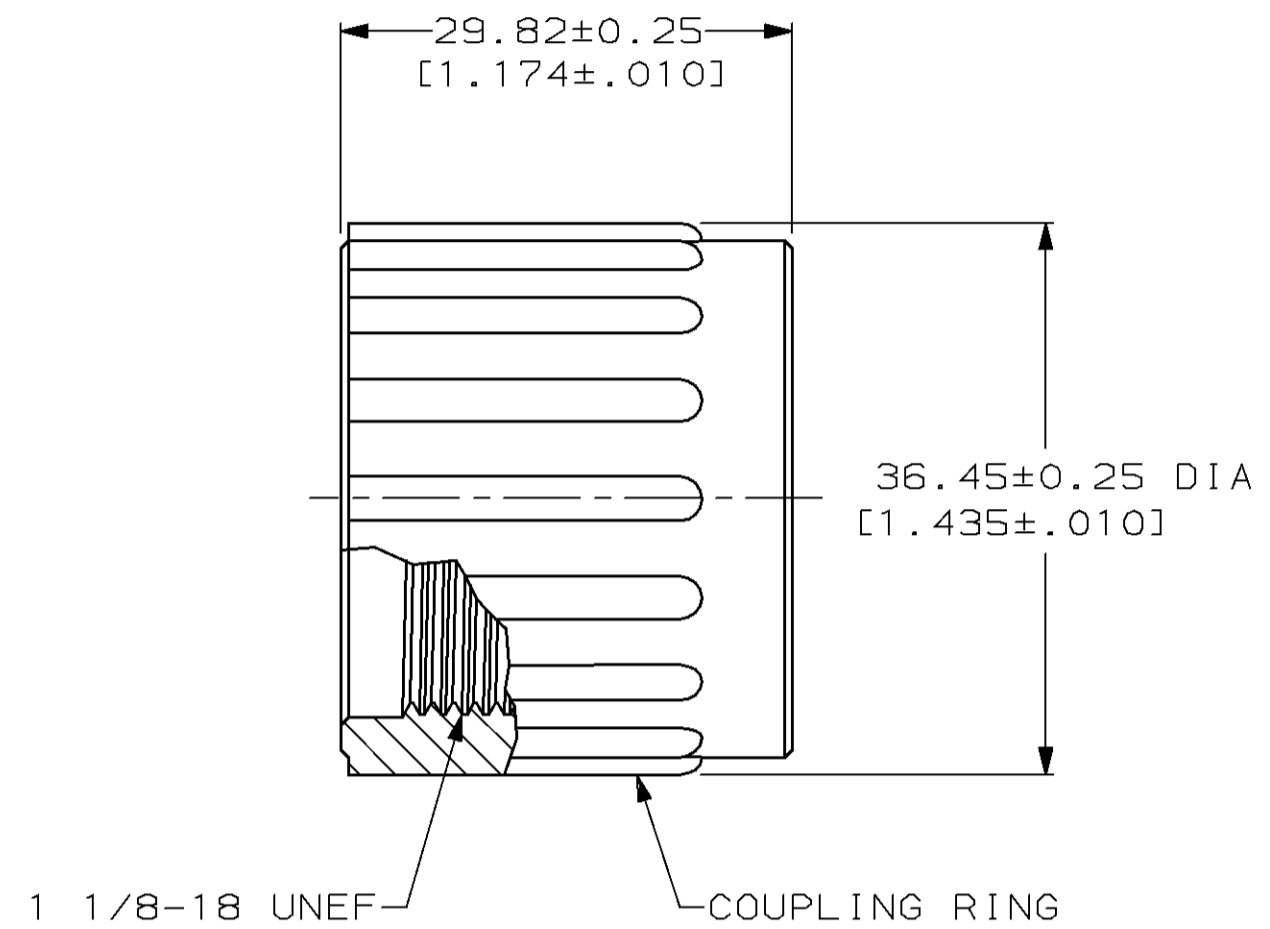
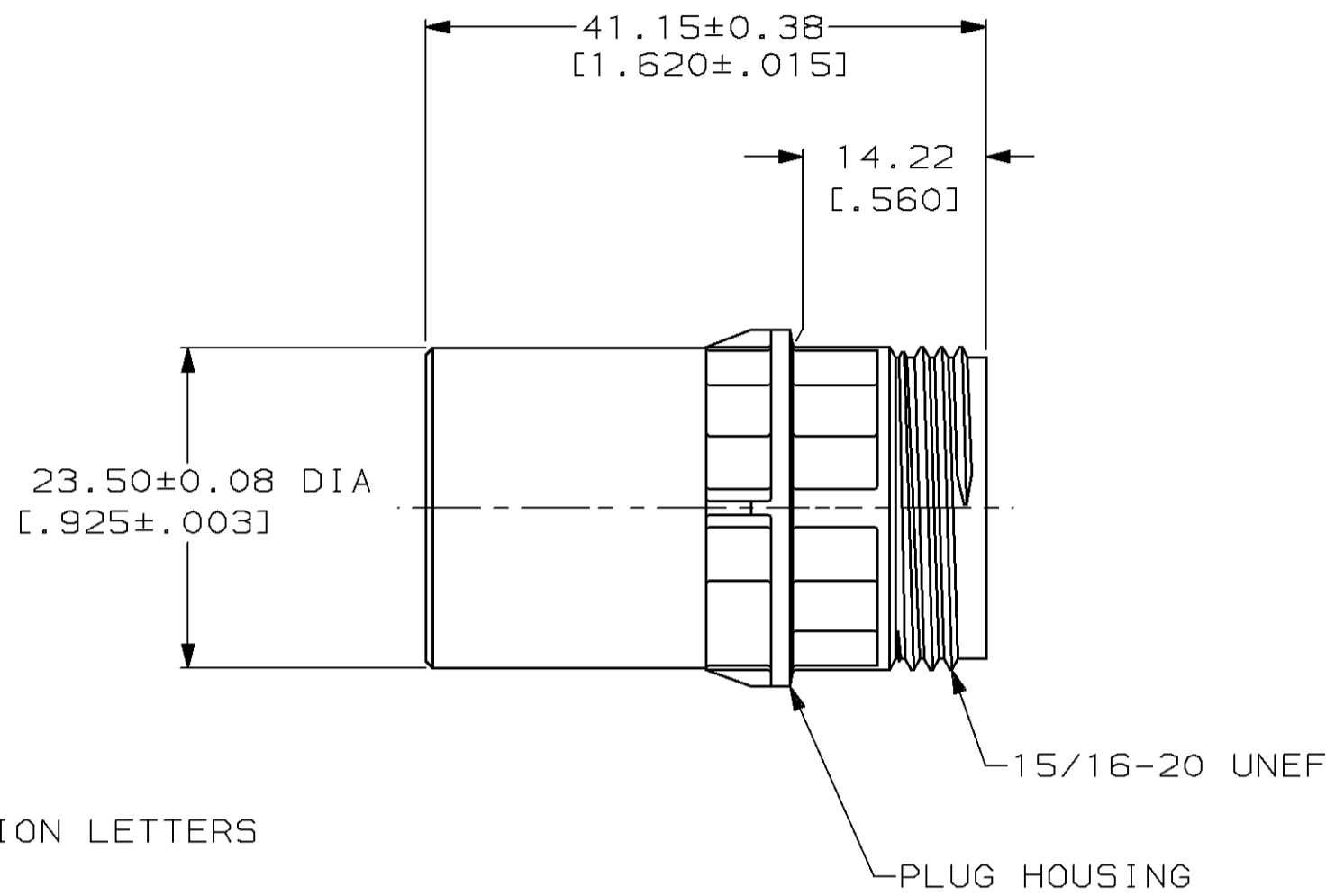
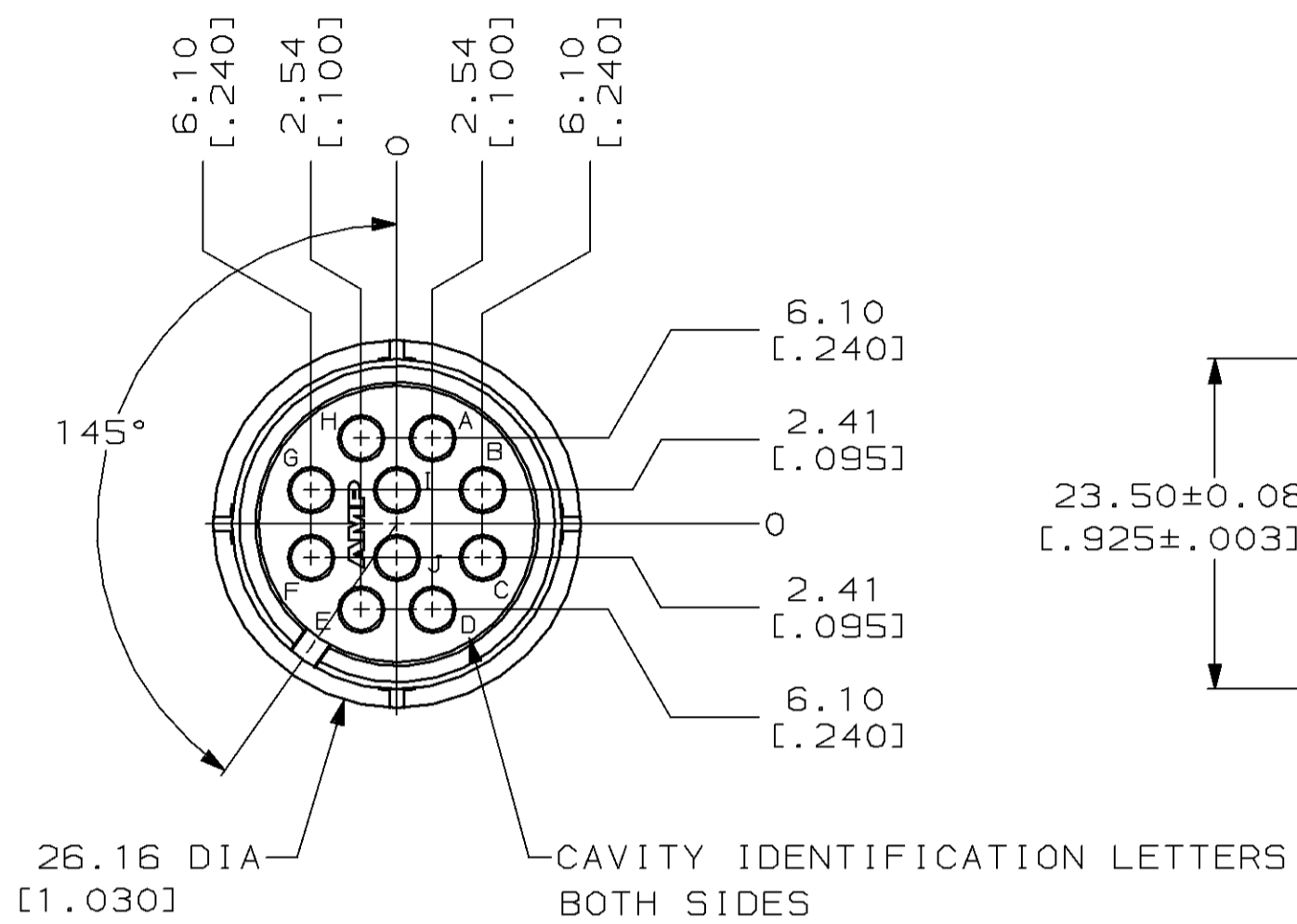
Tel: +86-755-8981 8866 Fax: +86-755-8427 6832

Email & Skype: info@chipsmall.com Web: www.chipsmall.com

Address: A1208, Overseas Decoration Building, #122 Zhenhua RD., Futian, Shenzhen, China



MOD	LOC	DIST	P	F	ZONE	LTR	DESCRIPTION	DATE	APPD
4	BD	35					0 RLSE, WAS 91-5029-5, NPR 3371	4-91	-
							A REV PER EC 0020-0740-94	07/13/94	AF



DO NOT SCALE PRINT. UNLESS SPECIFIED DIMENSIONS IN mm [INCHES] TOLERANCES ON : 2 PLC DEC ± 0.13 [.005] 3 PLC DEC ± - ANGLES ± 1°		DR 4-29-91 J McCLINTON		AMP Incorporated Harrisburg, PA 17105-3608	
MATERIAL POLYAMID, BLACK		CHK 5-2-91 R.STONE			
FINISH -		APPD 5-2-91 K.BEAVER		NAME CONNECTOR KIT, UNASSEMBLED, PLUG, 18-10, REVERSE SEX, CPC	
		APPD 5-2-91 J.FULPONI		SIZE C 00779	
		PRODUCT SPEC 108-10024		DRAWING NO 213671	
		APPLICATION SPEC 114-10004		SCALE 2:1	
		WEIGHT -		SHEET 1 OF 1	

213671-1

PART NO