



Chipsmall Limited consists of a professional team with an average of over 10 year of expertise in the distribution of electronic components. Based in Hongkong, we have already established firm and mutual-benefit business relationships with customers from,Europe,America and south Asia,supplying obsolete and hard-to-find components to meet their specific needs.

With the principle of “Quality Parts,Customers Priority,Honest Operation,and Considerate Service”,our business mainly focus on the distribution of electronic components. Line cards we deal with include Microchip,ALPS,ROHM,Xilinx,Pulse,ON,Everlight and Freescale. Main products comprise IC,Modules,Potentiometer,IC Socket,Relay,Connector.Our parts cover such applications as commercial,industrial, and automotives areas.

We are looking forward to setting up business relationship with you and hope to provide you with the best service and solution. Let us make a better world for our industry!



## Contact us

Tel: +86-755-8981 8866 Fax: +86-755-8427 6832

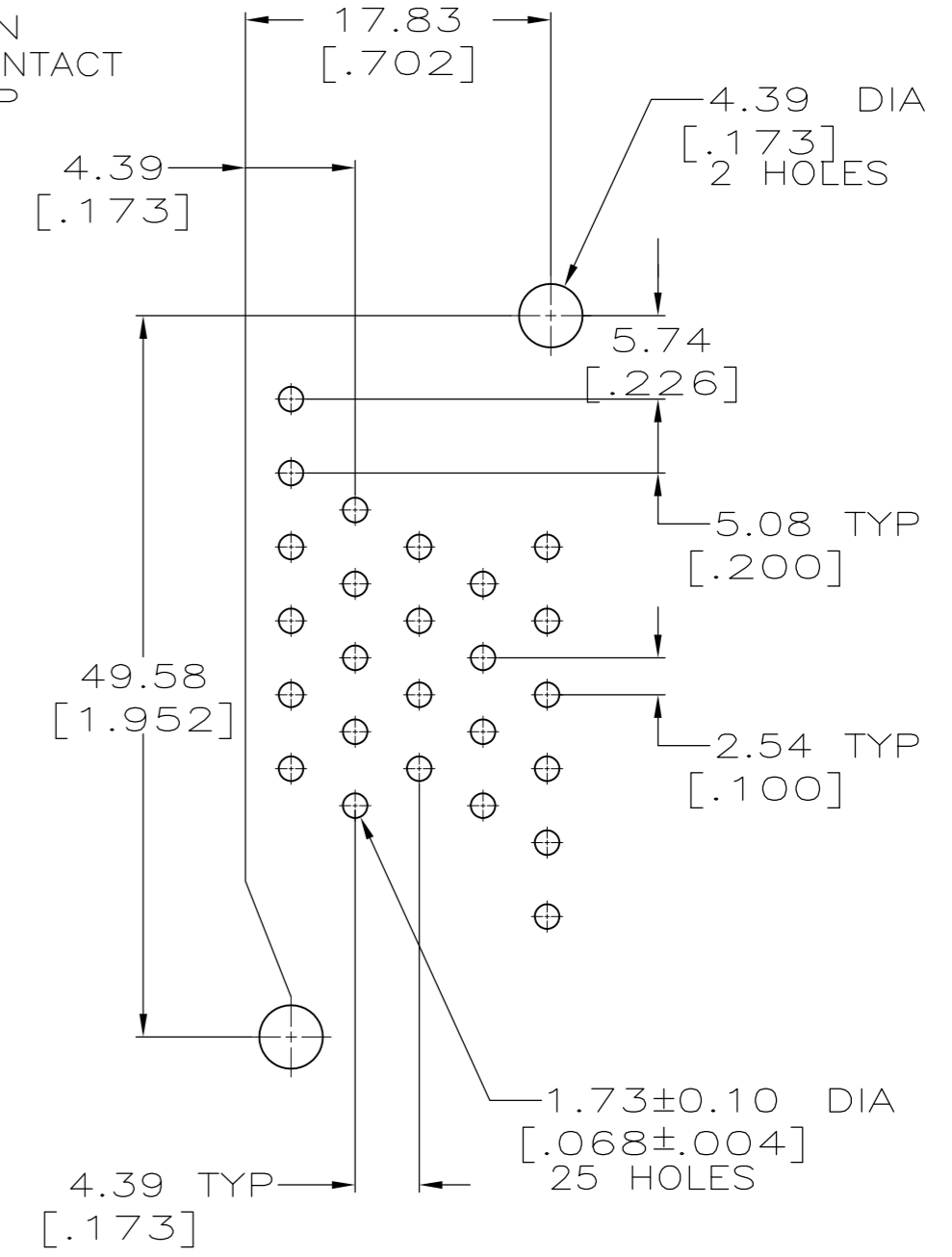
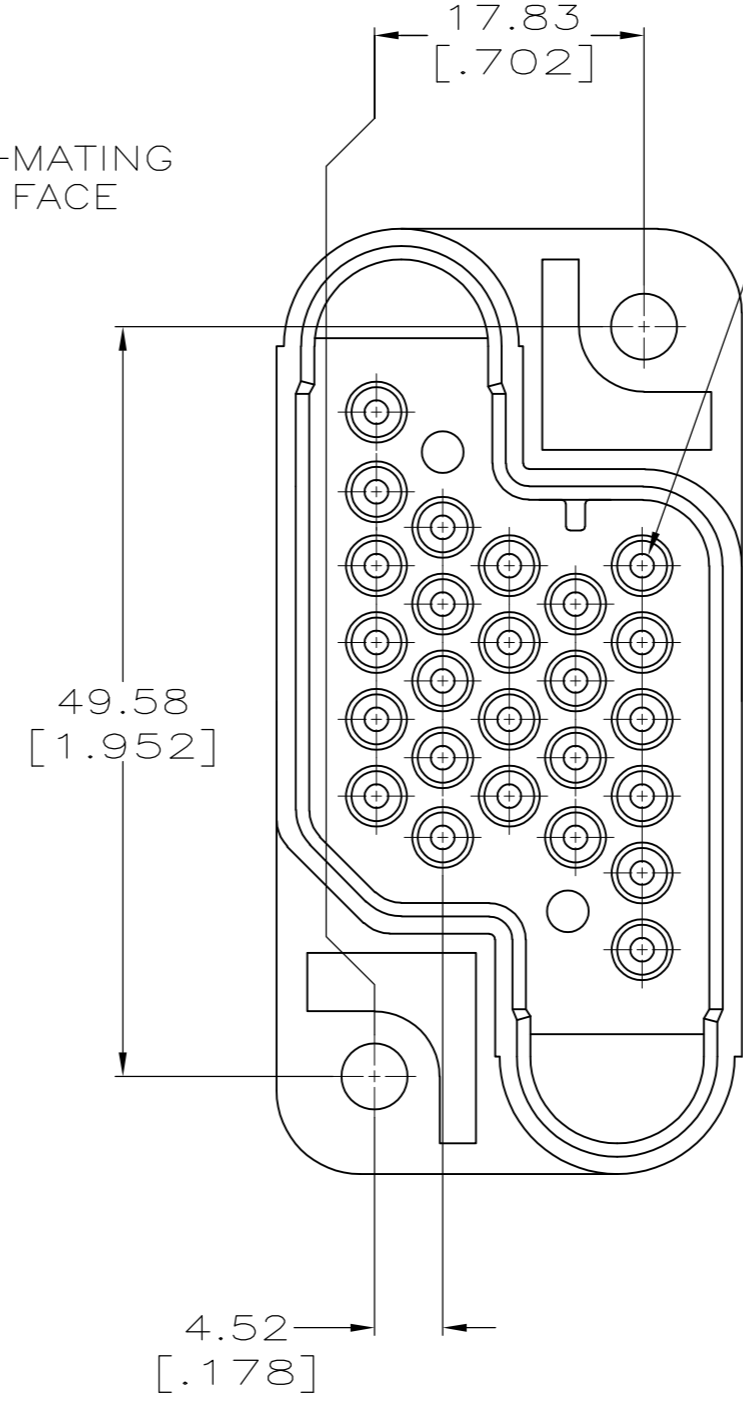
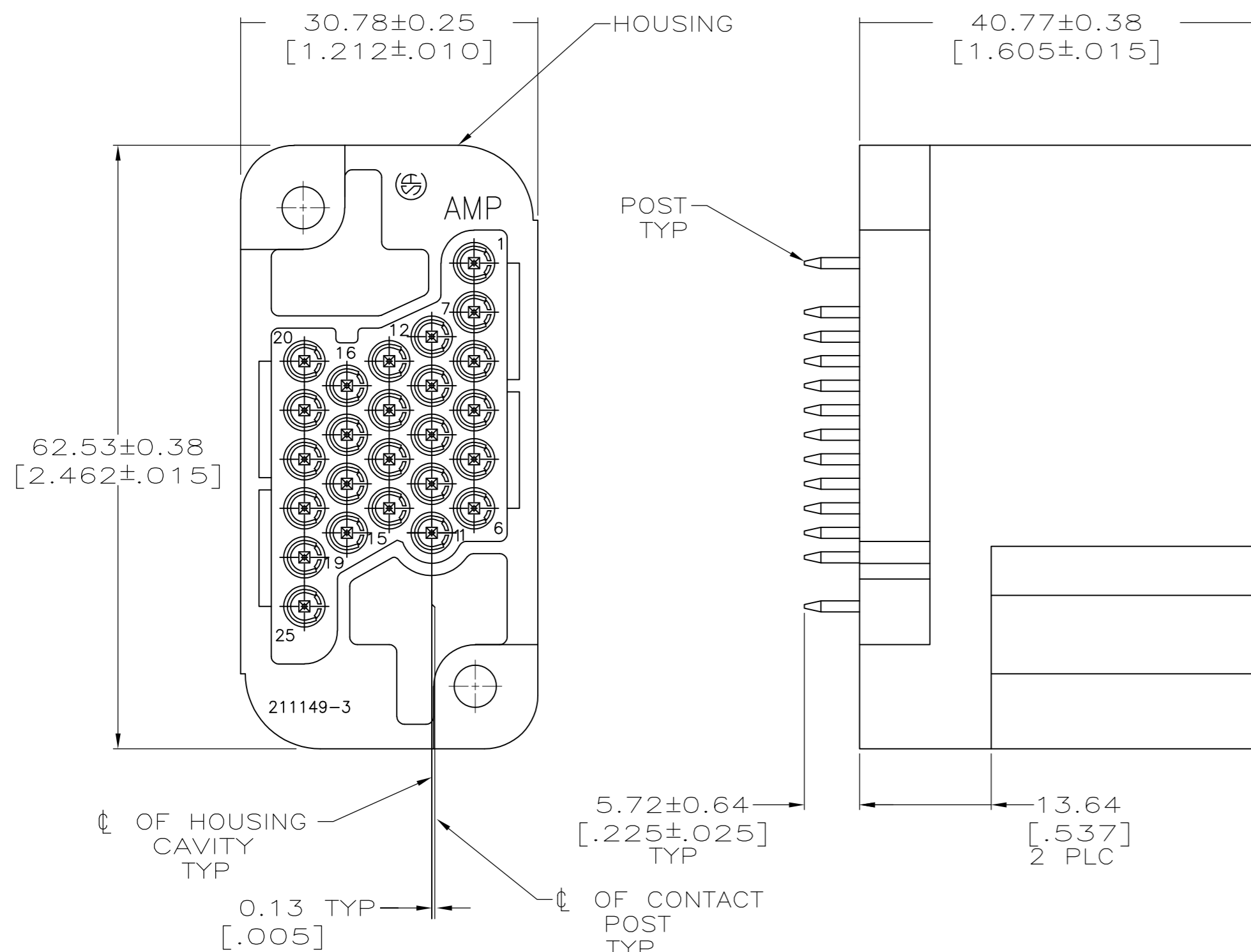
Email & Skype: info@chipsmall.com Web: www.chipsmall.com

Address: A1208, Overseas Decoration Building, #122 Zhenhua RD., Futian, Shenzhen, China



THIS DRAWING IS UNPUBLISHED. RELEASED FOR PUBLICATION  
 © COPYRIGHT BY TYCO ELECTRONICS CORPORATION. ALL RIGHTS RESERVED.

LOC	DIST	REVISIONS			
P	LTR	DESCRIPTION	DATE	DWN	APVD
	C	REVISED PER 0G3B-0230-05	4/26/05	SS	GS
	C1	REVISED PER ECO-09-020689	26AUG09	KK	AEG



RECOMMENDED PC BOARD LAYOUT

- 1 ALL POSITIONS LOADED WITH POSTED PIN CONTACT.
- 2 0.76um[.000030] MIN GOLD FOR A LENGTH OF 5.08[.200] MIN FROM MATING END, GOLD FLASH ON THE REMAINDER, BOTH OVER 1.27um [.000050] MIN NICKEL ON PIN END. POST END 2.54um[.000100] MIN TIN-LEAD OVER 1.27um[.000050] MIN NICKEL.
- 3 CONTACT ASSEMBLY SHOULD BE FULLY SEATED IN HOUSING PRIOR TO SOLDERING TO PRINTED CIRCUIT BOARD.
- 4 POSITIONS 1 THRU 13, 15 THRU 17, 20, 21, AND 25 LOADED WITH POSTED PIN CONTACT. POSITIONS 14, 23, AND 24 LOADED WITH GROUND CONTACT.
- 5 0.76um[.000030] MIN GOLD FOR A LENGTH OF 5.87[.231] MIN FROM MATING END, GOLD FLASH ON THE REMAINDER, BOTH OVER 1.27um [.000050] MIN NICKEL ON PIN END. POST END 2.54um[.000100] MIN TIN-LEAD OVER 1.27um[.000050] MIN NICKEL.
- 6 0.76um[.000030] MIN GOLD FOR A LENGTH OF 5.08[.200] MIN FROM MATING END, GOLD FLASH ON THE REMAINDER, BOTH OVER 1.27um [.000050] MIN NICKEL ON PIN END. POST END 2.54um[.000100] MIN TIN OVER 1.27um[.000050] MIN NICKEL.
- 7 0.76um[.000030] MIN GOLD FOR A LENGTH OF 5.87[.231] MIN FROM MATING END, GOLD FLASH ON THE REMAINDER, BOTH OVER 1.27um [.000050] MIN NICKEL ON PIN END. POST END 2.54um[.000100] MIN TIN OVER 1.27um[.000050] MIN NICKEL.
- 8 OBSOLETE PARTS: OBSOLETE CIS STREAMLINING PER D.RENAUD/D.SINISI

OBSOLETE	7	6	4	213672-4
	7	6	1	213672-3
8 OBSOLETE	5	2	4	213672-2
	5	2	1	213672-1
	GROUND CONTACT FINISH	PIN CONTACT FINISH	PART NUMBER	

THIS DRAWING IS A CONTROLLED DOCUMENT.		DWN C DORWART 03/11/91	Tyco Electronics Corporation Harrisburg, Pa 17105-3608	
DIMENSIONS: mm [INCHES]		CHK R.STONE 3-21-91	NAME	
TOLERANCES UNLESS OTHERWISE SPECIFIED: 0 PLC ± - 1 PLC ± - 2 PLC ± 0.13 [.005] 3 PLC ± - 4 PLC ± - ANGLES ± - FINISH		APVD -	PRODUCT SPEC -	
MATERIAL HOUSING: POLYESTER, BLACK. PIN & GROUND CONTACT: BRASS. SPRING: STAINLESS STEEL.		APPLICATION SPEC -	RECEPTACLE ASSEMBLY, 25 POSITION, DRAWER CONNECTOR, METRIMATE	
		WEIGHT -	SIZE A2	RESTRICTED TO
		CUSTOMER DRAWING	CAGE CODE 00779	DRAWING NO C=213672
		SCALE 2:1	SHEET 1 OF 1	REV C1

213672

A