



Chipsmall Limited consists of a professional team with an average of over 10 year of expertise in the distribution of electronic components. Based in Hongkong, we have already established firm and mutual-benefit business relationships with customers from,Europe,America and south Asia,supplying obsolete and hard-to-find components to meet their specific needs.

With the principle of “Quality Parts,Customers Priority,Honest Operation,and Considerate Service”,our business mainly focus on the distribution of electronic components. Line cards we deal with include Microchip,ALPS,ROHM,Xilinx,Pulse,ON,Everlight and Freescale. Main products comprise IC,Modules,Potentiometer,IC Socket,Relay,Connector.Our parts cover such applications as commercial,industrial, and automotives areas.

We are looking forward to setting up business relationship with you and hope to provide you with the best service and solution. Let us make a better world for our industry!



Contact us

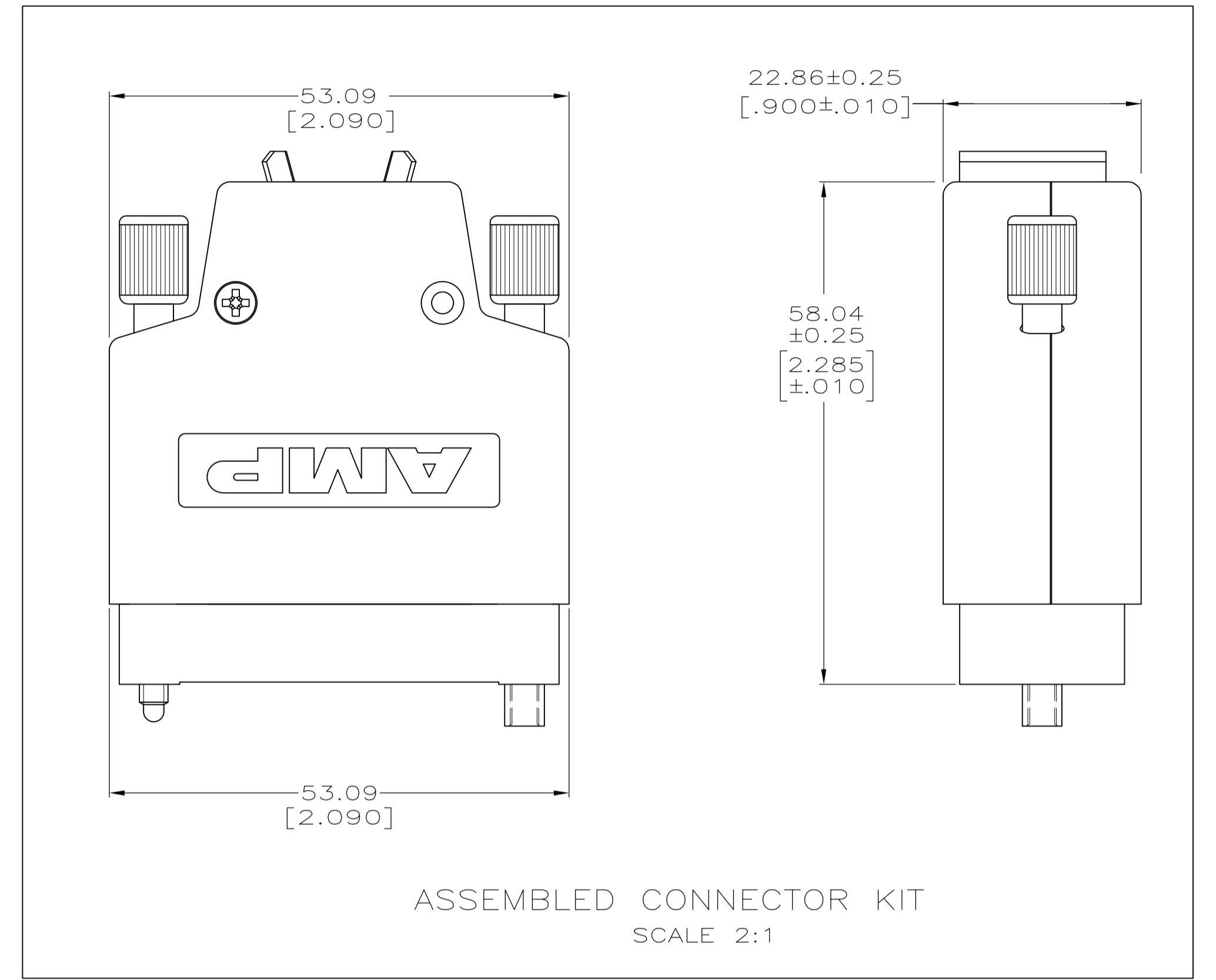
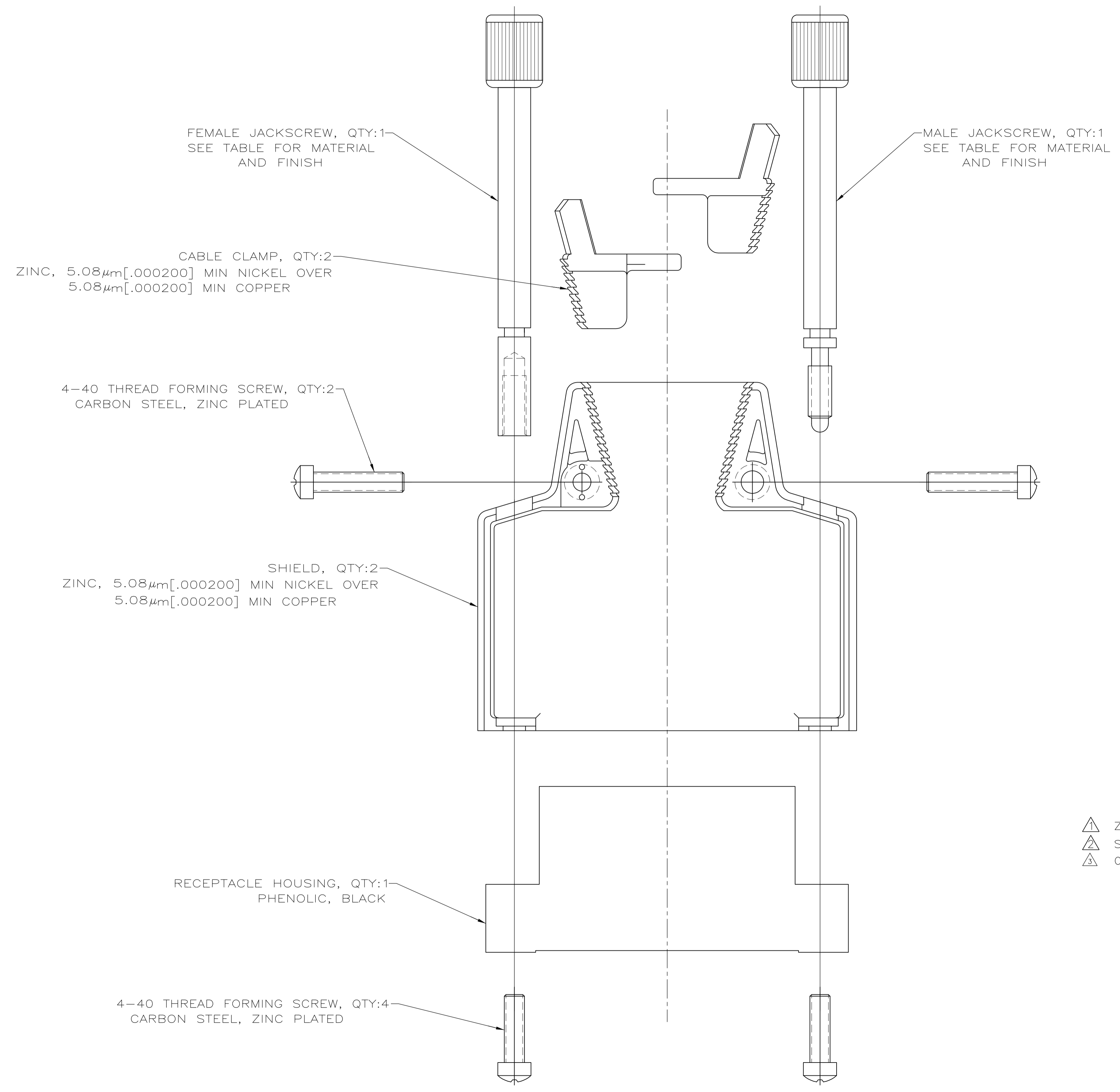
Tel: +86-755-8981 8866 Fax: +86-755-8427 6832

Email & Skype: info@chipsmall.com Web: www.chipsmall.com

Address: A1208, Overseas Decoration Building, #122 Zhenhua RD., Futian, Shenzhen, China



LOC	DIST	P	F	ZONE	LTR	DESCRIPTION	DATE	APPD
FT	8					0 RLSE PER NPR 3589, WAS 90-4883-31	6-21-91	-
						A ADDED -3 & -4 PER NPR 4304	08/12/92	SK
						A1 ADDED -5 PER NPR 5009	12/15/93	TC
						B REV PER EC 0020-216-95	03/27/95	TC
						C REV PER EC 0020-318-95	05/05/95	TC
						D OBS -4 PER EC 0020-598-96	08 JAN 97	MM
						M REVISED PER ECO-09-020689	25AUG09	KK AEG



- △ ZINC, NICKEL PLATED.
- △ STAINLESS STEEL.
- △ OBSOLETE PARTS: OBSOLETE CIS STREAMLINING PER D.RENAUD/D.SINISI

JACKSCREW	CABLE DIAMETER	PART NO
△	3.81-7.62 [.150-.300]	213685-5
△	6.35-10.16 [.250-.400]	213685-4
△	10.16-15.24 [.400-.600]	213685-3
△	6.35-10.16 [.250-.400]	213685-2
△	10.16-15.24 [.400-.600]	213685-1

DO NOT SCALE PRINT. UNLESS SPECIFIED DIMENSIONS IN mm [INCHES] TOLERANCES - ON : 2 PLC DEC ± 0.13 [.005] 3 PLC DEC ± - ANGLES ± -		DR 6-21-91 W.G.LENKER		AMP Incorporated Harrisburg, PA 17105-3608	
SEE CALLOUTS		CHK 6-27-91 R STONE			
MATERIAL		APPD 6-28-91 A BOULLIANNE		NAME	
FINISH		APPD 6-28-91 A BOULLIANNE		CONNECTOR KIT, UNASSEMBLED, 34 POSITION, M SERIES	
SEE CALLOUTS		PRODUCT SPEC		SIZE	
WEIGHT		APPLICATION SPEC		CAGE CODE	
				DRAWING NO	
				213685	
				SHEET 1 OF 1	