



Chipsmall Limited consists of a professional team with an average of over 10 year of expertise in the distribution of electronic components. Based in Hongkong, we have already established firm and mutual-benefit business relationships with customers from,Europe,America and south Asia,supplying obsolete and hard-to-find components to meet their specific needs.

With the principle of “Quality Parts,Customers Priority,Honest Operation,and Considerate Service”,our business mainly focus on the distribution of electronic components. Line cards we deal with include Microchip,ALPS,ROHM,Xilinx,Pulse,ON,Everlight and Freescale. Main products comprise IC,Modules,Potentiometer,IC Socket,Relay,Connector.Our parts cover such applications as commercial,industrial, and automotives areas.

We are looking forward to setting up business relationship with you and hope to provide you with the best service and solution. Let us make a better world for our industry!



## Contact us

Tel: +86-755-8981 8866 Fax: +86-755-8427 6832

Email & Skype: info@chipsmall.com Web: www.chipsmall.com

Address: A1208, Overseas Decoration Building, #122 Zhenhua RD., Futian, Shenzhen, China



NO.	DATE	DESCRIPTION	BY
0	08/15/82	RELEASED NPR 4365	
1		WAS 92-5002-001-1	

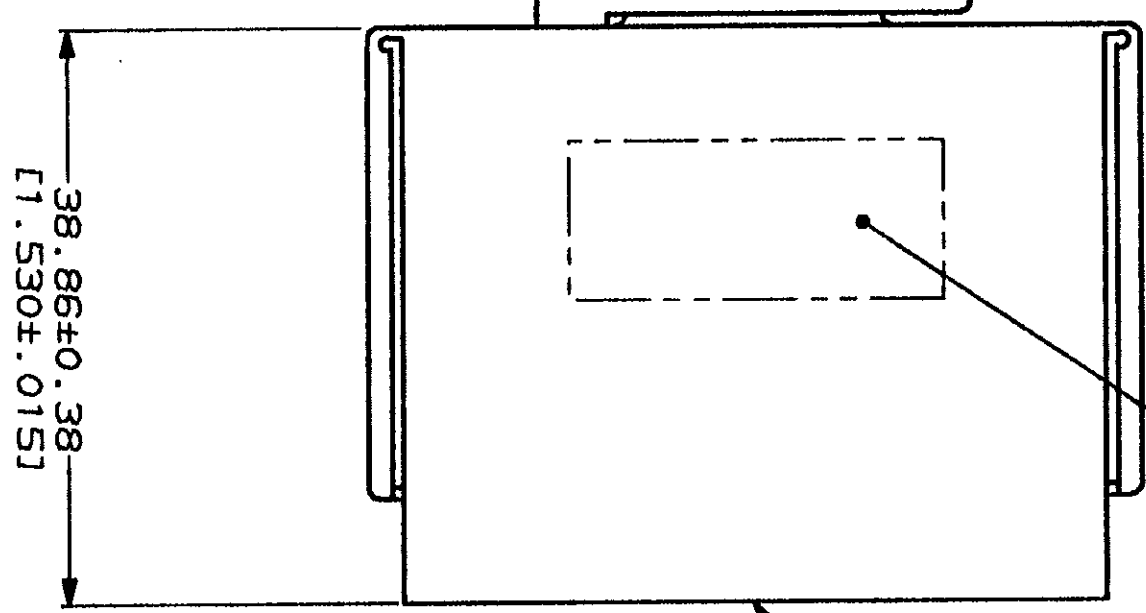
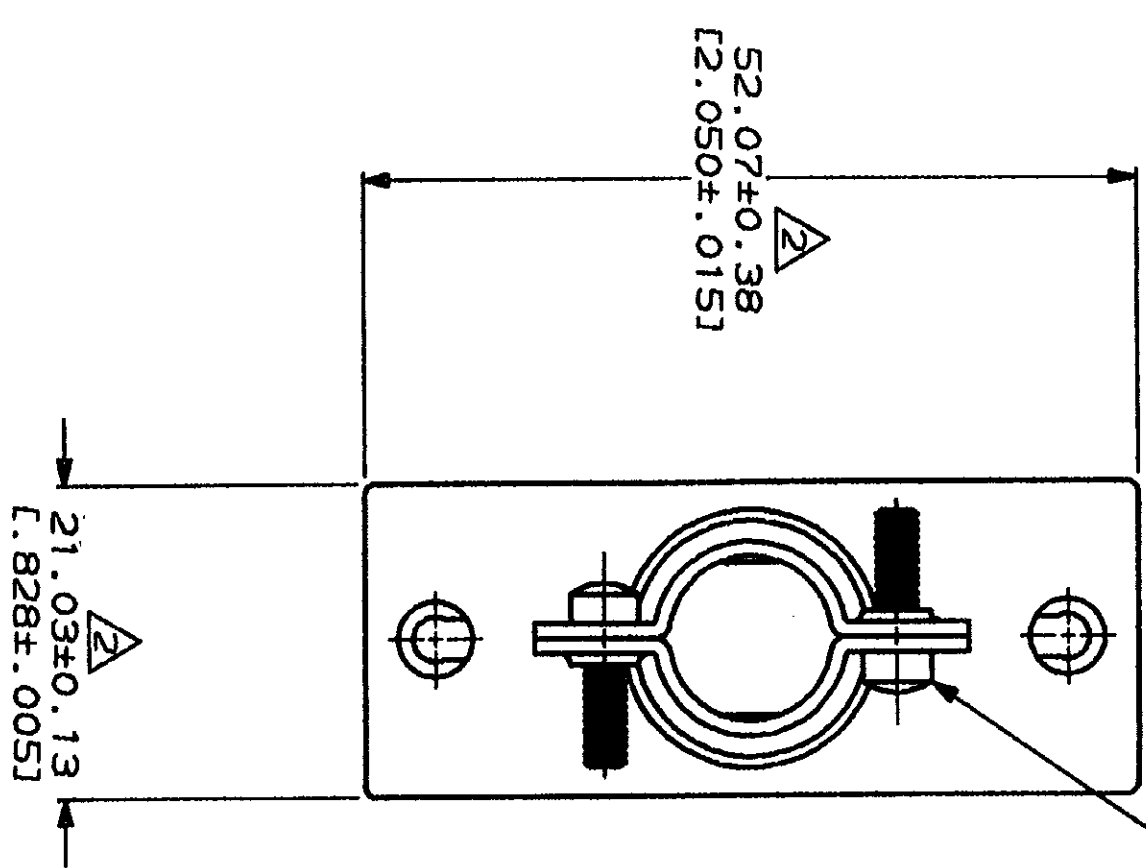
SCREW #4-40 X 9.52 [L.375] LONG  
MATERIAL: CARBON STEEL  
FINISH: ZINC  
QTY: 2

AMP AND DATE CODE.  
(EITHER SIDE)

SHIELD MATERIAL: ALUMINUM  
FINISH: ANODIZE

SCREW #4-40 X 6.35 [L.250] LONG  
MATERIAL: CARBON STEEL  
FINISH: ZINC  
QTY: 4

CABLE CLAMP  
MATERIAL: CARBON STEEL  
FINISH: 5.08µm [L.000200] MIN ZINC  
QTY: 2



- 1. SCREW PACKAGED SEPARATELY.
- 2. DIMENSION APPLIES AT BASE OF BEND.
- 3. CABLE AREA: 3.787-5.933 [L.1491-.2336] SQ IN.

DO NOT SCALE PRINT. UNLESS SPECIFIED DIMENSIONS IN MM (INCHES) TOLERANCES ON:		DR 09/15/92 C. DORNHART	AMP AMP Incorporated Harrisburg, PA 17105-9608
2 PLC DEC # - - 3 PLC DEC # - - ANGLES # - - MATERIAL		CHK 09/17/92 R. STONE	
SEE CALLOUTS		APPD 09/17/92 G. STEINHAUER	SHIELD KIT, 34 POSITION, M SERIES
FINISH		APPD 09/17/92 C. RHOE	
APPLICATION SPEC		PRODUCT SPEC	
SCALE	SIZE	CAGE CODE	DRAWING NO
2:1	00779	0-213753	213753-1
WEIGHT			PART NO

THIS DRAWING IS A CONTROLLED DOCUMENT FOR THE COMPANY. IT IS THE PROPERTY OF AMP AND IS NOT TO BE REPRODUCED OR TRANSMITTED IN ANY FORM OR BY ANY MEANS, ELECTRONIC OR MECHANICAL, INCLUDING PHOTOCOPYING, RECORDING, OR BY ANY INFORMATION STORAGE AND RETRIEVAL SYSTEM. WITHOUT THE WRITTEN PERMISSION OF AMP.