



Chipsmall Limited consists of a professional team with an average of over 10 year of expertise in the distribution of electronic components. Based in Hongkong, we have already established firm and mutual-benefit business relationships with customers from,Europe,America and south Asia,supplying obsolete and hard-to-find components to meet their specific needs.

With the principle of “Quality Parts,Customers Priority,Honest Operation,and Considerate Service”,our business mainly focus on the distribution of electronic components. Line cards we deal with include Microchip,ALPS,ROHM,Xilinx,Pulse,ON,Everlight and Freescale. Main products comprise IC,Modules,Potentiometer,IC Socket,Relay,Connector.Our parts cover such applications as commercial,industrial, and automotives areas.

We are looking forward to setting up business relationship with you and hope to provide you with the best service and solution. Let us make a better world for our industry!



Contact us

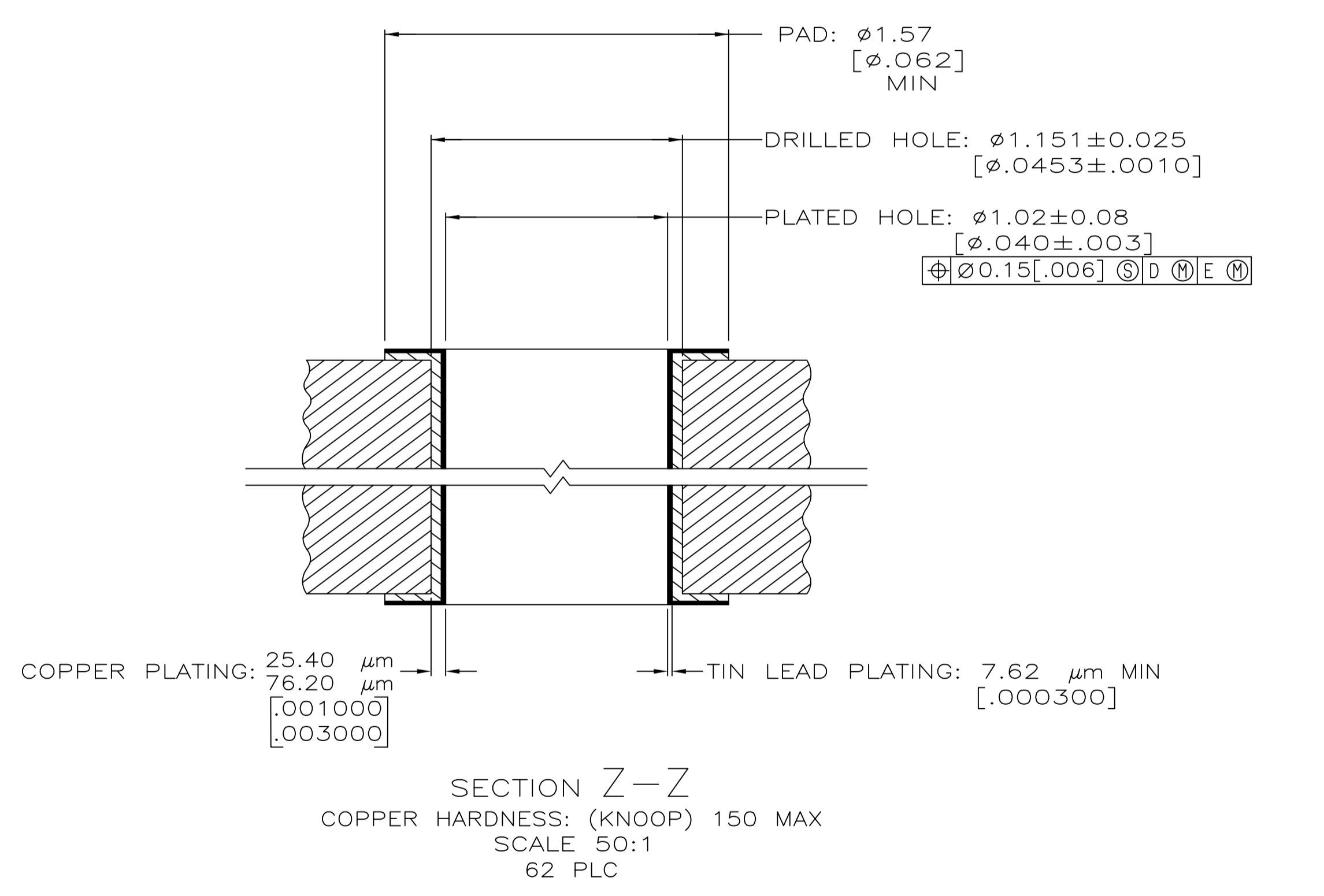
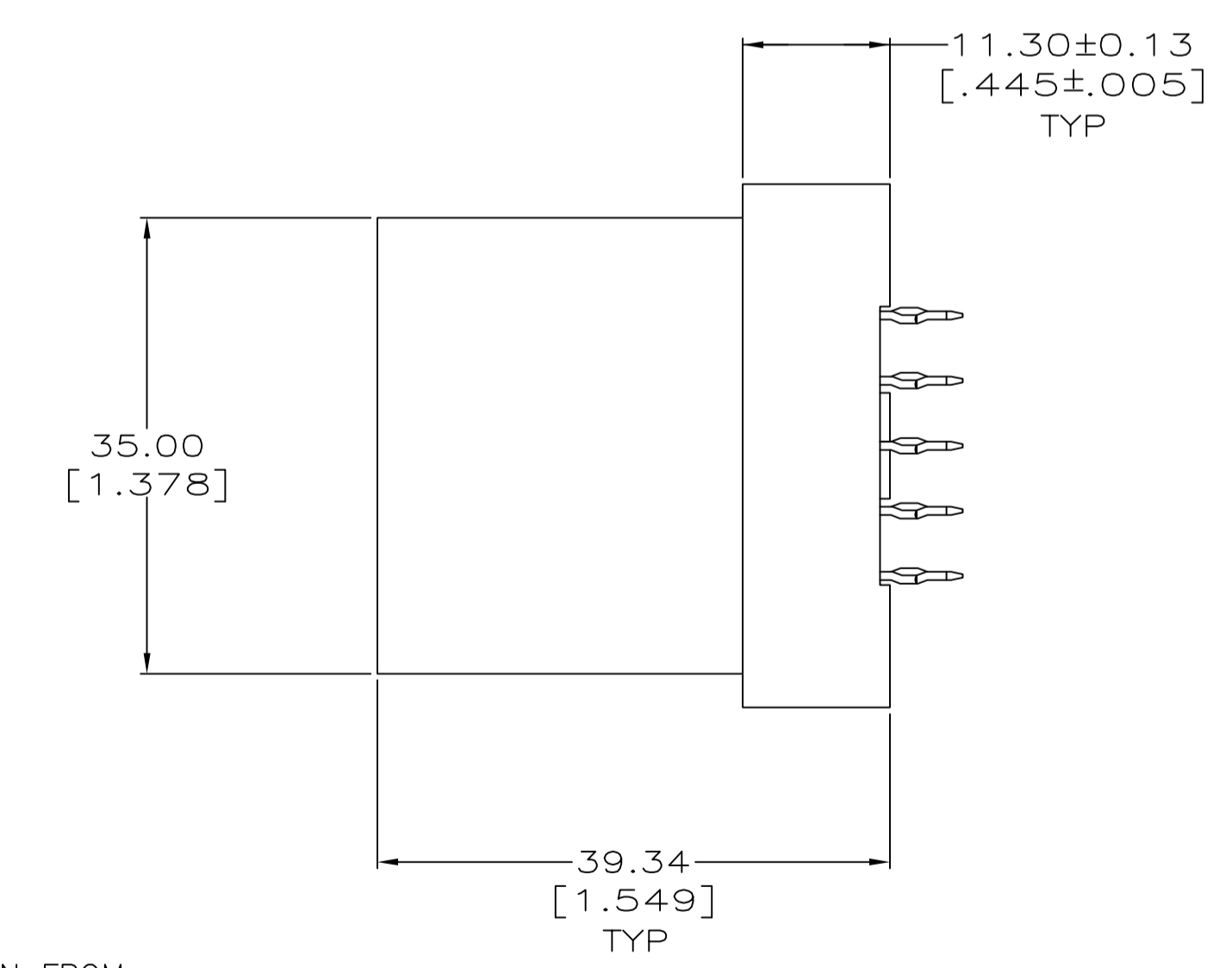
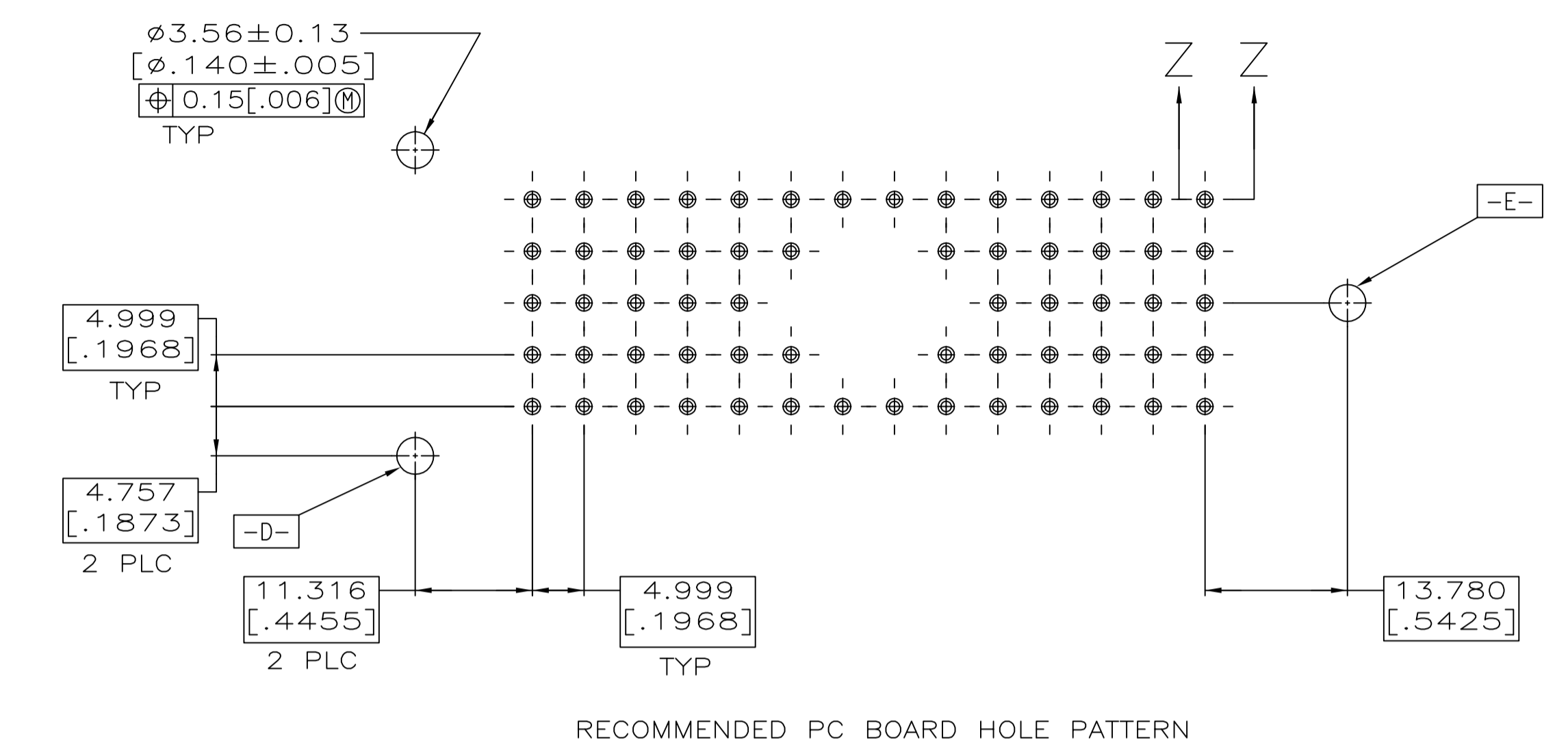
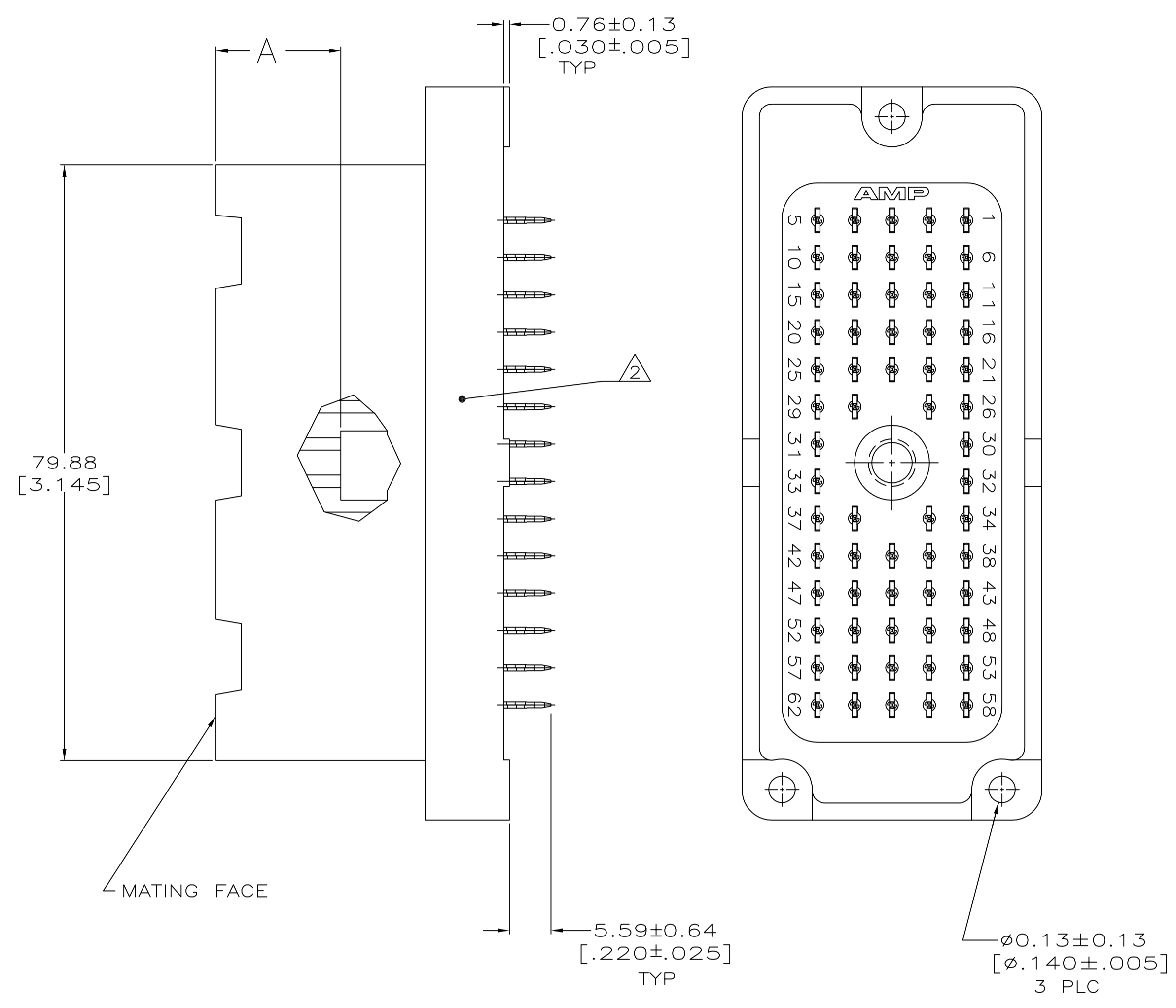
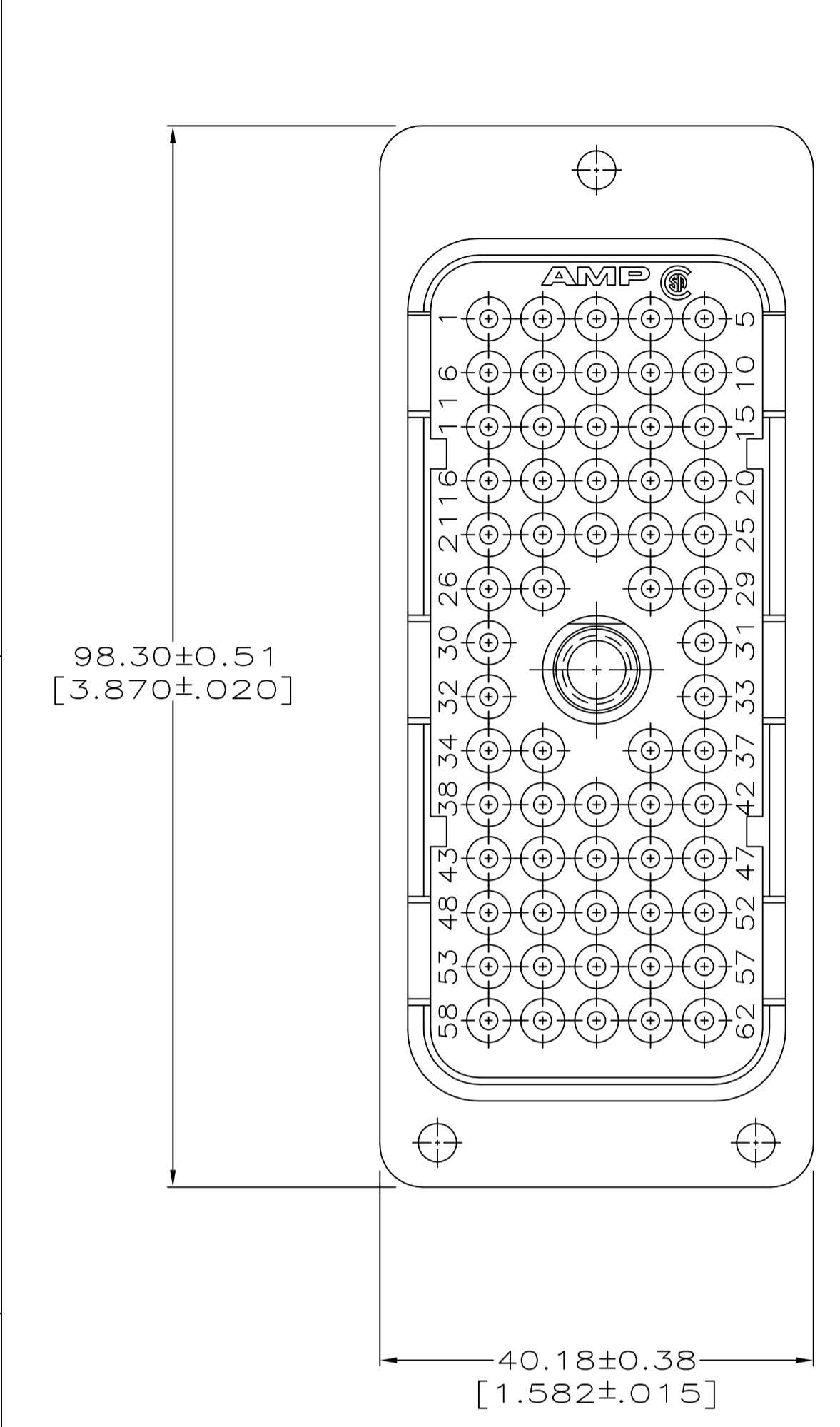
Tel: +86-755-8981 8866 Fax: +86-755-8427 6832

Email & Skype: info@chipsmall.com Web: www.chipsmall.com

Address: A1208, Overseas Decoration Building, #122 Zhenhua RD., Futian, Shenzhen, China



REVISIONS					
P	LTR	DESCRIPTION	DATE	DWN	APVD
D		REVISED PER ECO-07-008991	4/23/07	SS	GS
D1		REVISED PER ECO-09-020935	27AUG09	KK	AEG
E		REVISED PER ECO-17-009310	28JUN2017	RS	MZ



- 1 0.76μm[.000030] MIN GOLD FOR A LENGTH OF 5.46[.215] MIN FROM MATING END, 3.81μm[.000150] MIN TIN-LEAD ON OPPOSITE END FOR A LENGTH OF 5.08[.200] MIN, BOTH OVER 1.27μm[.000050] MIN NICKEL.
- 2 AMP PART NUMBER AND DATE CODE MARKED IN THIS AREA.
- 3 0.76μm[.000030] MIN GOLD FOR A LENGTH OF 7.62[.300] MIN FROM MATING END, 3.81μm[.000150] MIN TIN-LEAD ON OPPOSITE END FOR A LENGTH OF 5.08[.200] MIN, BOTH OVER 1.27μm[.000050] MIN NICKEL.
- 4 0.76μm[.000030] MIN GOLD FOR A LENGTH OF 7.62[.300] MIN FROM MATING END, 3.81μm[.000150] MIN TIN ON OPPOSITE END FOR A LENGTH OF 5.08[.200] MIN, BOTH OVER 1.27μm[.000050] MIN NICKEL.
- 5 OBSOLETE PARTS: OBSOLETE CIS STREAMLINING PER D.RENAUD/D.SINISI

6.60 [.260]	4	213788-3
6.60 [.260]	3	213788-2
17.53 [.690]	1	213788-1
SUPERSEDED BY 213788-2		
A	CONTACT FINISH	PART NUMBER

THIS DRAWING IS A CONTROLLED DOCUMENT.		DIN C. OBERMAN 1-5-94	TE Connectivity	
DIMENSIONS: mm [INCHES]		CHK: R. STONE 1-7-94		
TOLERANCES UNLESS OTHERWISE SPECIFIED:		APVD: -	NAME: HEADER ASSEMBLY, 62 POSN, ACTION PIN TM	
0 PLC ± -		PRODUCT SPEC: -	SIZE: A1	
1 PLC ± -		APPLICATION SPEC: -	CAGE CODE: 00779	
2 PLC ± 0.25 [010]		WEIGHT: -	DRAWING NO: 213788	
3 PLC ± -		CUSTOMER DRAWING	SCALE: 2:1	
4 PLC ± -			SHEET 1 OF 1	
ANGLES ± -			REV E	