



Chipsmall Limited consists of a professional team with an average of over 10 year of expertise in the distribution of electronic components. Based in Hongkong, we have already established firm and mutual-benefit business relationships with customers from,Europe,America and south Asia,supplying obsolete and hard-to-find components to meet their specific needs.

With the principle of “Quality Parts,Customers Priority,Honest Operation,and Considerate Service”,our business mainly focus on the distribution of electronic components. Line cards we deal with include Microchip,ALPS,ROHM,Xilinx,Pulse,ON,Everlight and Freescale. Main products comprise IC,Modules,Potentiometer,IC Socket,Relay,Connector.Our parts cover such applications as commercial,industrial, and automotives areas.

We are looking forward to setting up business relationship with you and hope to provide you with the best service and solution. Let us make a better world for our industry!



Contact us

Tel: +86-755-8981 8866 Fax: +86-755-8427 6832

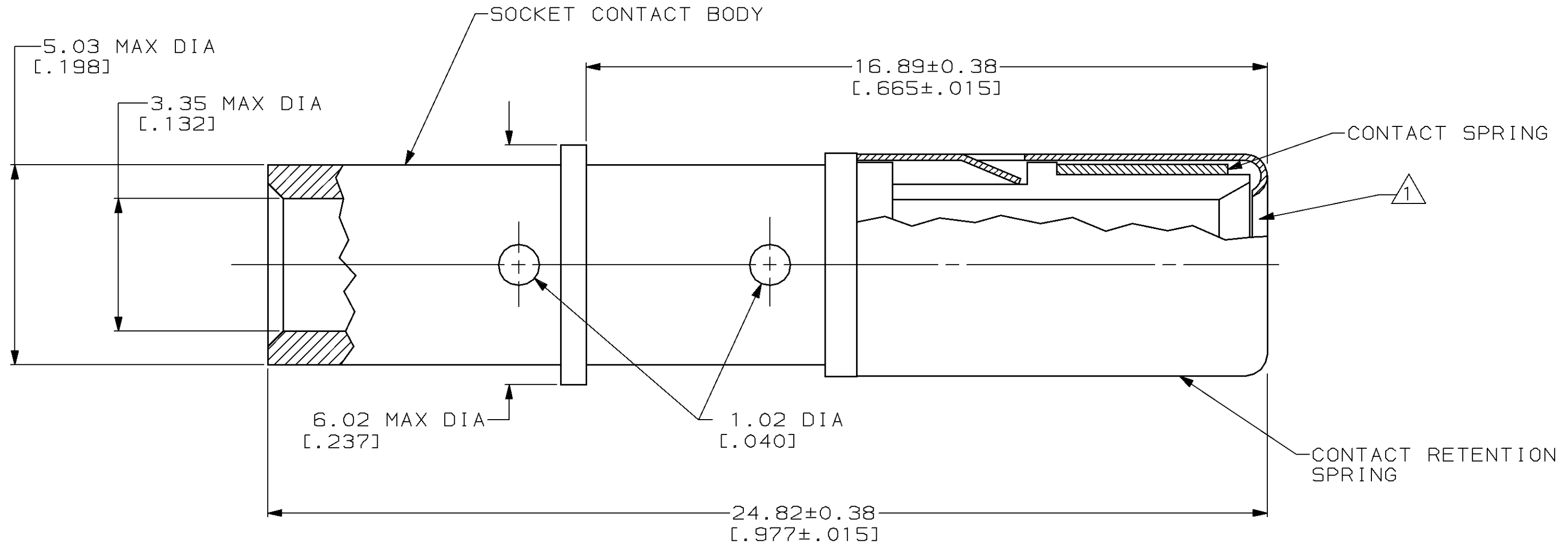
Email & Skype: info@chipsmall.com Web: www.chipsmall.com

Address: A1208, Overseas Decoration Building, #122 Zhenhua RD., Futian, Shenzhen, China



THIS DRAWING IS UNPUBLISHED. RELEASED FOR PUBLICATION, 19 .
 © COPYRIGHT 19 BY AMP INCORPORATED. ALL INTERNATIONAL RIGHTS RESERVED.

MOD	LOC	DIST	P	F	REVISIONS				
25	BD	39			ZONE	LTR	DESCRIPTION	DATE	APPD
						0	RLSE -1 NPR 5064, WAS 93-5020-007-1	03/03/94	-



- 1 ACCOMMODATES 3.18±0.03 [.125±.001] DIA PIN.
- 2 SOCKET CONTACT BODY: BRASS; CONTACT SPRING: BERYLLIUM COPPER; CONTACT RETENTION SPRING: STAINLESS STEEL.
- 3 1.27µm [.000050] MIN GOLD OVER 1.27µm [.000050] MIN NICKEL.
- 4 0.76µm [.000030] MIN NICKEL.

THIS DRAWING IS A CONTROLLED DOCUMENT FOR AMP INCORPORATED. IT IS SUBJECT TO CHANGE AND THE CONTROLLING ENGINEERING ORGANIZATION SHOULD BE CONTACTED FOR THE LATEST REVISION.

DO NOT SCALE PRINT. UNLESS SPECIFIED DIMENSIONS IN mm [INCHES] TOLERANCES ON: 2 PLC DEC ± 0.13 [.005] 3 PLC DEC ± - ANGLES ± -		DR 03/03/94 D.GELTZ	AMP Incorporated Harrisburg, PA 17105-3608
MATERIAL	CHK 03/04/94 R.STONE	APPD 03/07/94 G.STEINHAUER	
FINISH	APPD 03/07/94 G.STEINHAUER	PRODUCT SPEC	NAME SOCKET CONTACT ASSEMBLY, TYPE I #10,
SOCKET CONTACT BODY: 3	APPLICATION SPEC	WEIGHT -	SIZE B
CONTACT SPRING: 4			CAGE CODE 00779
			DRAWING NO C=213790
			SCALE 10:1
			SHEET 1 OF 1

213790-1
PART NO