



Chipsmall Limited consists of a professional team with an average of over 10 year of expertise in the distribution of electronic components. Based in Hongkong, we have already established firm and mutual-benefit business relationships with customers from,Europe,America and south Asia,supplying obsolete and hard-to-find components to meet their specific needs.

With the principle of “Quality Parts,Customers Priority,Honest Operation,and Considerate Service”,our business mainly focus on the distribution of electronic components. Line cards we deal with include Microchip,ALPS,ROHM,Xilinx,Pulse,ON,Everlight and Freescale. Main products comprise IC,Modules,Potentiometer,IC Socket,Relay,Connector.Our parts cover such applications as commercial,industrial, and automotives areas.

We are looking forward to setting up business relationship with you and hope to provide you with the best service and solution. Let us make a better world for our industry!



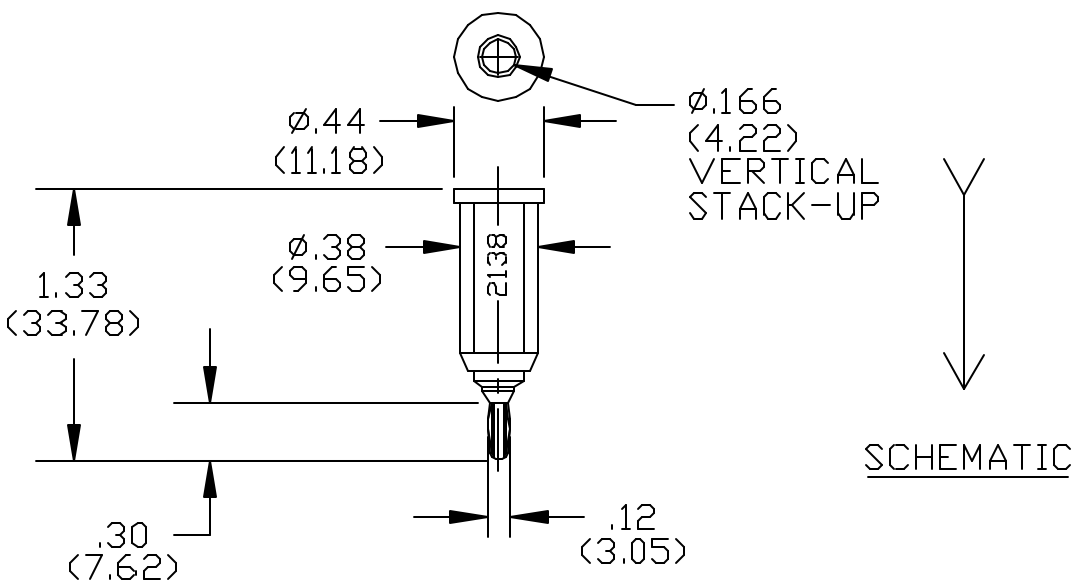
## Contact us

Tel: +86-755-8981 8866 Fax: +86-755-8427 6832

Email & Skype: info@chipsmall.com Web: www.chipsmall.com

Address: A1208, Overseas Decoration Building, #122 Zhenhua RD., Futian, Shenzhen, China





### FEATURES:

- Permits standard banana plug to be used with equipment having miniature banana jacks.

### MATERIALS:

Upper Conn.: Banana Jack

Material: Body, Brass, H.H. per QQ-B-626, Alloy 360.

Finish: Nickel plate per QQ-N-290, Class 2 (.0002 min.).

Insulation: Acrylonitrile – Butadiene – Styrene, molded to banana jack and banana plug body.

Operating Temperature: +50°C. (+122°F.) Max.

Marking: "POMONA ELECTRONICS CALIF. 2138."

Lower Conn.: Miniature Banana Plug

Material: Spring, one piece heat treated Beryllium Copper, Berylco 25 per QQ-C-533.

Finish: Nickel plate per QQ-C-290, Class 2 (.0002 min.).

### RATINGS: (Entire Assembly)

Operating Temperature: +50°C. (+122°F.) Max.

Operating Voltage: 2500 VDC

Current: 5 Amperes Cont.

### ORDERING INFORMATION: Model 2138-\*

\*=Color, -0 Black, -2 Red

Ordering Example: 2138-2 Color is Red

All dimensions are in inches. Tolerances (except noted): .xx = ±.02" (.51 mm), .xxx = ± .005" (.127 mm).

All specifications are to the latest revisions. Specifications are subject to change without notice.

Registered trademarks are the property of their respective companies. Made in USA