



Chipsmall Limited consists of a professional team with an average of over 10 year of expertise in the distribution of electronic components. Based in Hongkong, we have already established firm and mutual-benefit business relationships with customers from,Europe,America and south Asia,supplying obsolete and hard-to-find components to meet their specific needs.

With the principle of "Quality Parts,Customers Priority,Honest Operation,and Considerate Service",our business mainly focus on the distribution of electronic components. Line cards we deal with include Microchip,ALPS,ROHM,Xilinx,Pulse,ON,Everlight and Freescale. Main products comprise IC,Modules,Potentiometer,IC Socket,Relay,Connector.Our parts cover such applications as commercial,industrial, and automotives areas.

We are looking forward to setting up business relationship with you and hope to provide you with the best service and solution. Let us make a better world for our industry!



## Contact us

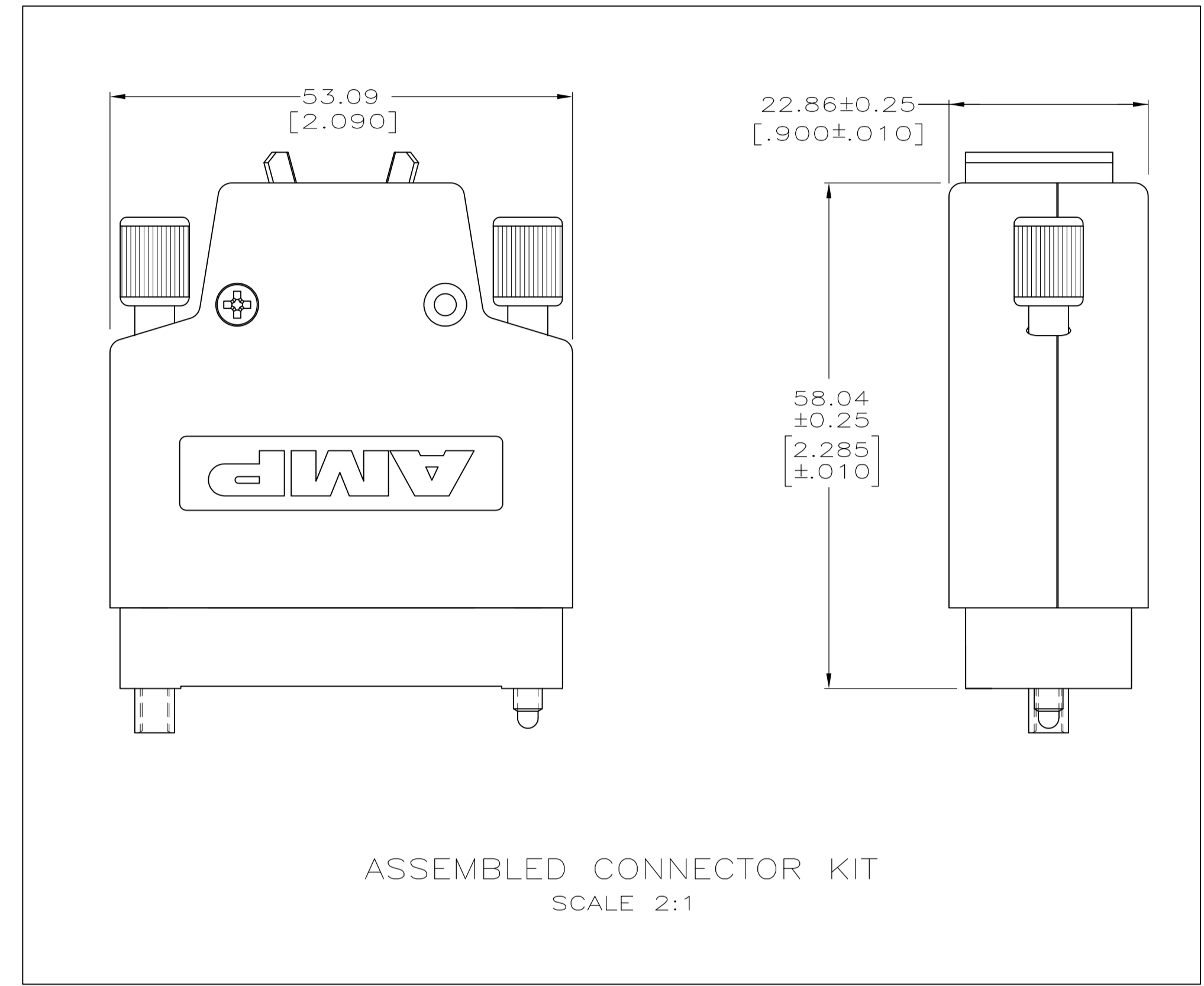
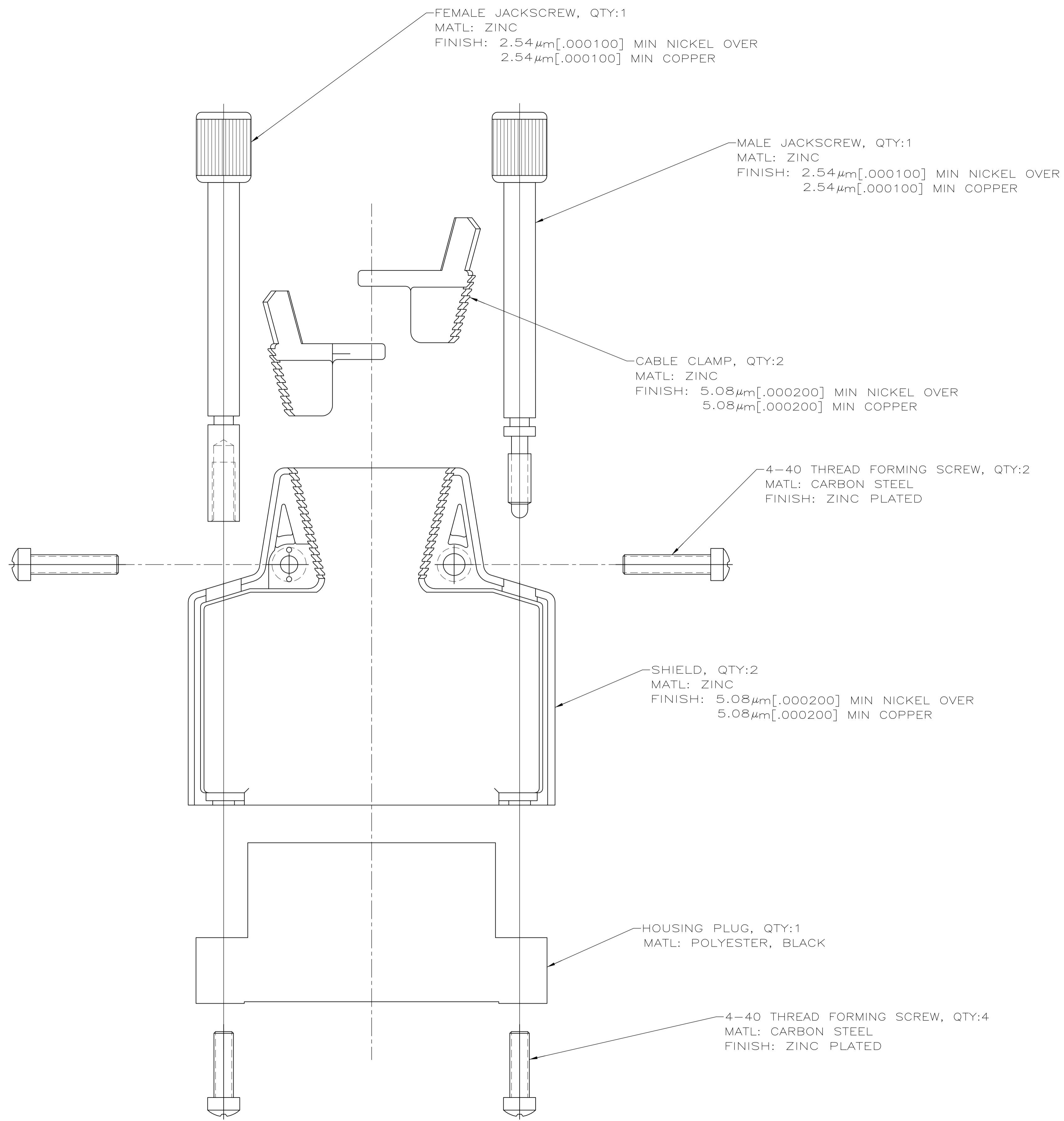
Tel: +86-755-8981 8866 Fax: +86-755-8427 6832

Email & Skype: info@chipsmall.com Web: www.chipsmall.com

Address: A1208, Overseas Decoration Building, #122 Zhenhua RD., Futian, Shenzhen, China



LOC	DIST	P	F	ZONE	LTR	DESCRIPTION	DATE	APPD
FT	8					RLSE -1 & -2 PER NPR 5124 WAS 94-7965-001-01 & -03	08-12-94	TC
						REV PER EC 0020-268-95	03/27/95	TC
						ADDED -3 PER EC 002-283-96	15 MAR 96	MM
						REV PER EC 0320-163-96	08 JAN 97	MM
						REVISED PER ECO-09-020689	27AUG09	KK AEC



1 OBSOLETE PARTS: OBSOLETE CIS STREAMLINING PER D.RENAUD/D.SINISI

1 OBSOLETE	CABLE DIAMETER	PART NO
10.16-15.24 [.400-.600]		213803-3
6.35-10.16 [.250-.400]		213803-2
3.81-7.62 [.150-.300]		213803-1

DO NOT SCALE PRINT. UNLESS SPECIFIED		DR 08-12-94 D.BROCKWAY		AMP Incorporated Harrisburg, PA 17105-3608	
DIMENSIONS IN mm [INCHES]		CHK 10-05-94 R.STONE			
TOLERANCES ON :		APPD 10-06-94 T.COULSON		NAME	
2 PLC DEC ± 0.13 [.005]		APPD 10-06-94 T.COULSON		CONNECTOR KIT, UNASSEMBLED, 34 POSITION, V.35, M SERIES	
3 PLC DEC ± -		APPD 10-06-94 T.COULSON		SIZE	
ANGLES ± -		PRODUCT SPEC		CAGE CODE	
SEE CALLOUTS		APPLICATION SPEC		DRAWING NO	
FINISH		WEIGHT		D 00779	
SEE CALLOUTS		SCALE		213803	
				SHEET 1 OF 1	