



Chipsmall Limited consists of a professional team with an average of over 10 year of expertise in the distribution of electronic components. Based in Hongkong, we have already established firm and mutual-benefit business relationships with customers from,Europe,America and south Asia,supplying obsolete and hard-to-find components to meet their specific needs.

With the principle of “Quality Parts,Customers Priority,Honest Operation,and Considerate Service”,our business mainly focus on the distribution of electronic components. Line cards we deal with include Microchip,ALPS,ROHM,Xilinx,Pulse,ON,Everlight and Freescale. Main products comprise IC,Modules,Potentiometer,IC Socket,Relay,Connector.Our parts cover such applications as commercial,industrial, and automotives areas.

We are looking forward to setting up business relationship with you and hope to provide you with the best service and solution. Let us make a better world for our industry!



Contact us

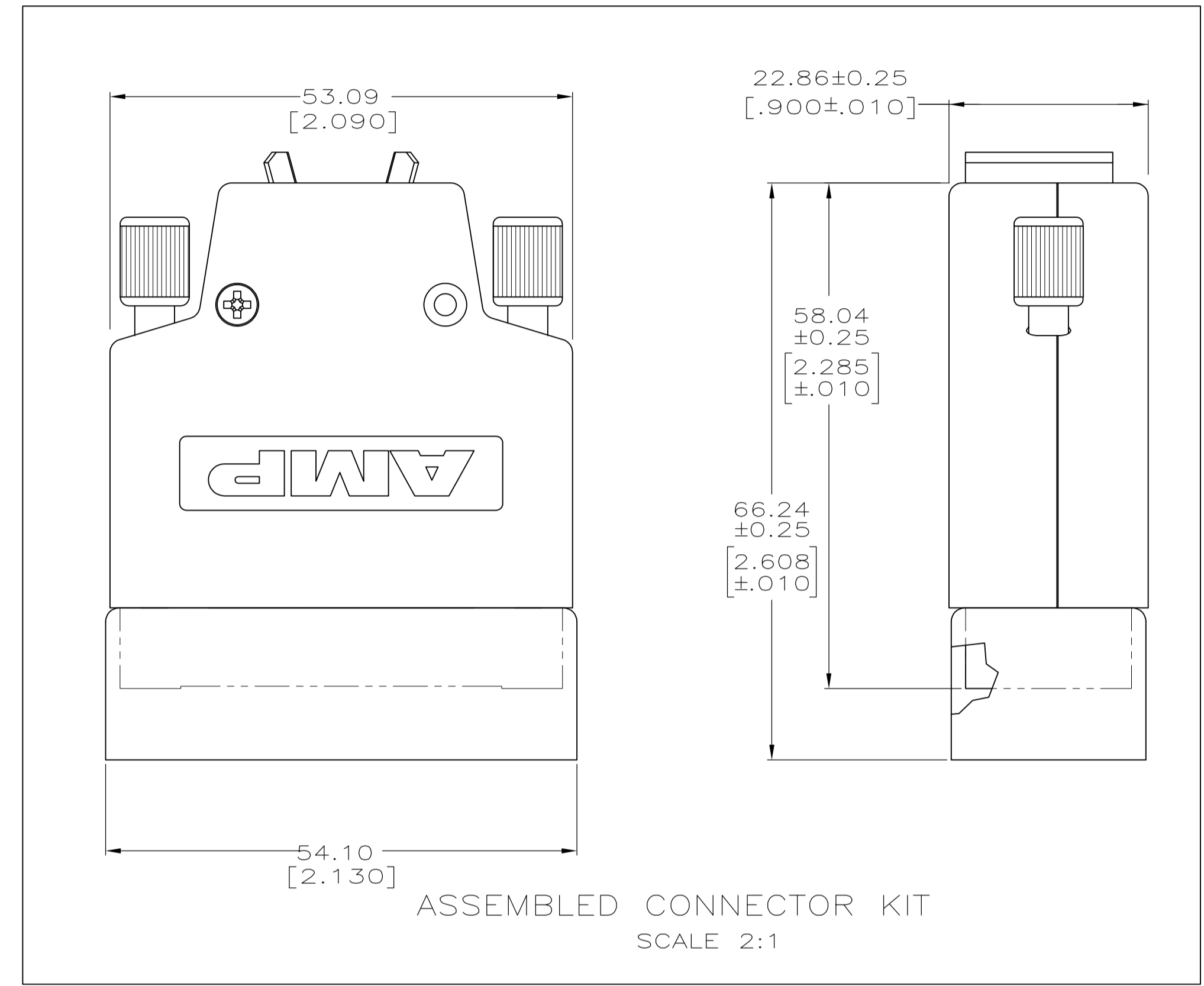
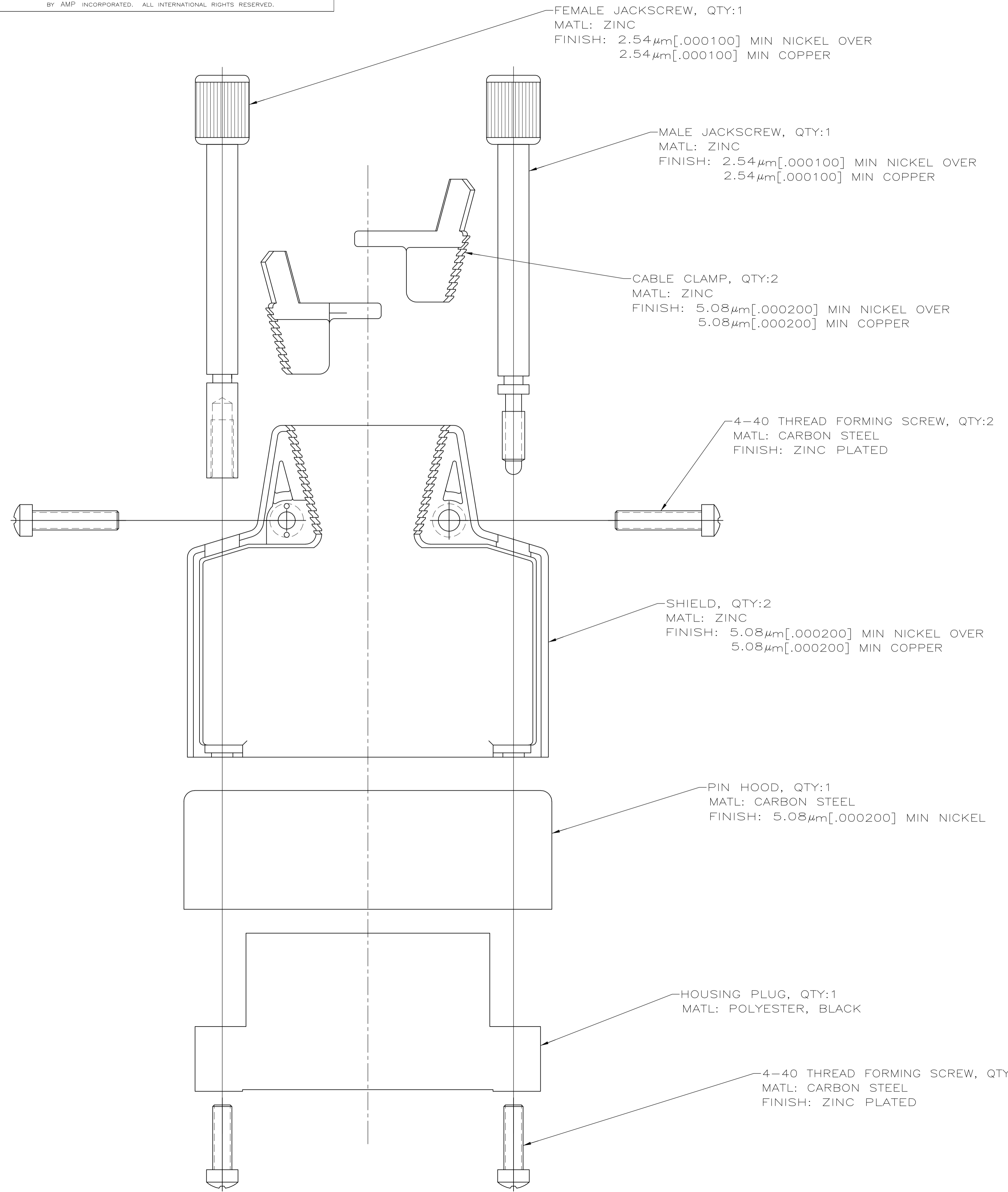
Tel: +86-755-8981 8866 Fax: +86-755-8427 6832

Email & Skype: info@chipsmall.com Web: www.chipsmall.com

Address: A1208, Overseas Decoration Building, #122 Zhenhua RD., Futian, Shenzhen, China



LOC		DIST		REV		REVISIONS		
FT		P	F	ZONE	LTR	DESCRIPTION	DATE	APPD
				A		REV PER EC 0020-268-95	03/27/95	TC
				B		ADDED -3 PER EC 002-283-96	15 MAR 96	MM
				C		REV PER EC 0320-163-96	08 JAN 97	MM
				C1		REVISED PER ECO-09-021826	07 JAN 10	AEG



1 OBSOLETE PARTS: OBSOLETE CIS STREAMLINING PER D.RENAUD/D.SINISI

1 OBSOLETE	10.16-15.24 [.400-.600]	213804-3
	6.35-10.16 [.250-.400]	213804-2
	3.81-7.62 [.150-.300]	213804-1
	CABLE DIAMETER	PART NO

DO NOT SCALE PRINT. UNLESS SPECIFIED	DR 08-16-94 D.BROCKWAY	AMP Incorporated Harrisburg, PA 17105-3608	
DIMENSIONS IN mm [INCHES]	CHK 10-05-94 R.STONE		
TOLERANCES - ON :	APPD 10-06-94 T.COULSON	NAME	
2 PLC DEC ± 0.13[.005]	APPD 10-06-94 T.COULSON	CONNECTOR KIT, UNASSEMBLED, 34 POSITION, V.35, M SERIES	
3 PLC DEC ± -	APPD 10-06-94 T.COULSON	SIZE	
ANGLES ± -	PRODUCT SPEC	D	
MATERIAL	APPLICATION SPEC	CAGE CODE	DRAWING NO
SEE CALLOUTS	WEIGHT	00779	213804
FINISH		SCALE	SHEET
SEE CALLOUTS		3:1	1 OF 1