



Chipsmall Limited consists of a professional team with an average of over 10 year of expertise in the distribution of electronic components. Based in Hongkong, we have already established firm and mutual-benefit business relationships with customers from,Europe,America and south Asia,supplying obsolete and hard-to-find components to meet their specific needs.

With the principle of “Quality Parts,Customers Priority,Honest Operation,and Considerate Service”,our business mainly focus on the distribution of electronic components. Line cards we deal with include Microchip,ALPS,ROHM,Xilinx,Pulse,ON,Everlight and Freescale. Main products comprise IC,Modules,Potentiometer,IC Socket,Relay,Connector.Our parts cover such applications as commercial,industrial, and automotives areas.

We are looking forward to setting up business relationship with you and hope to provide you with the best service and solution. Let us make a better world for our industry!



Contact us

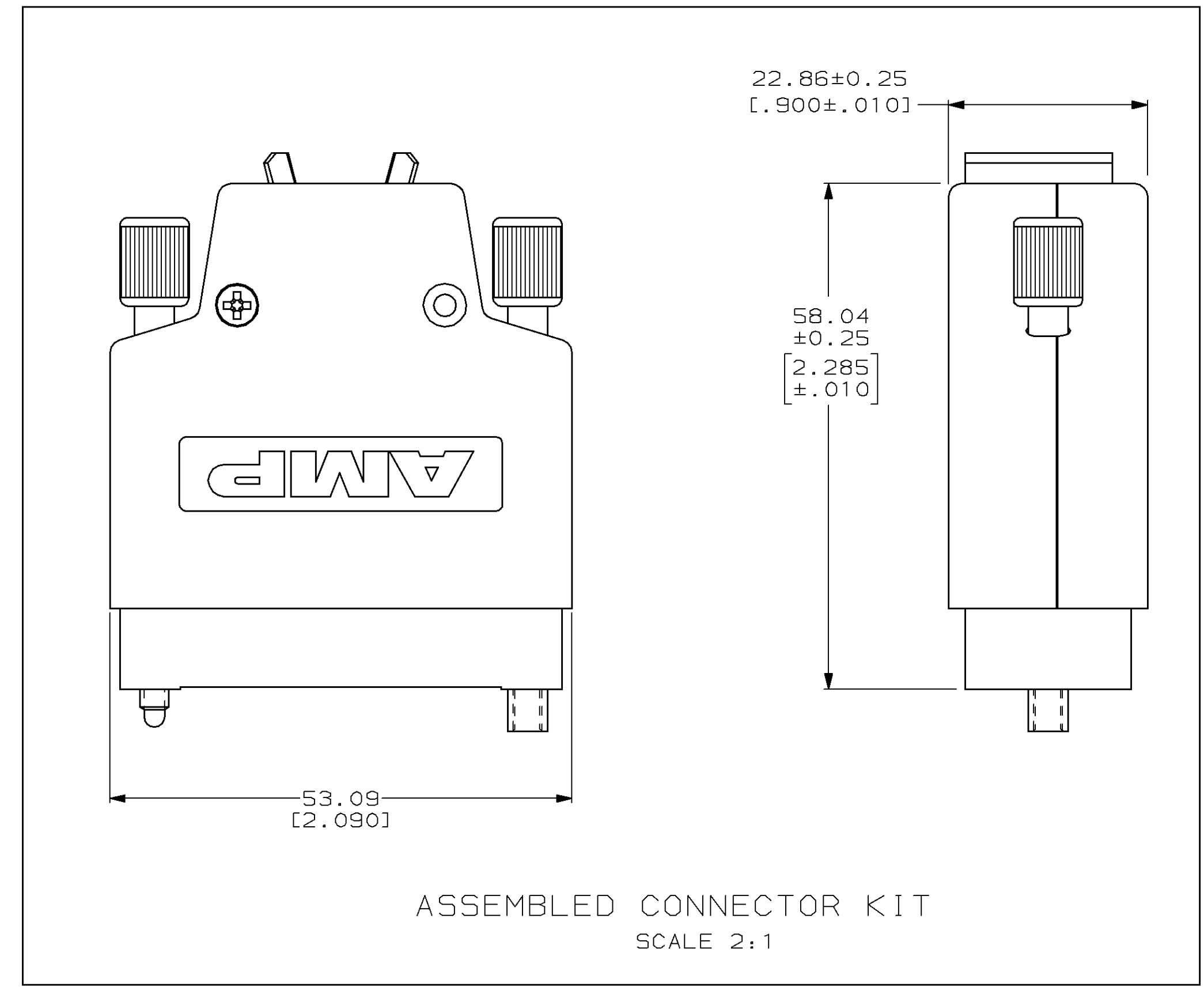
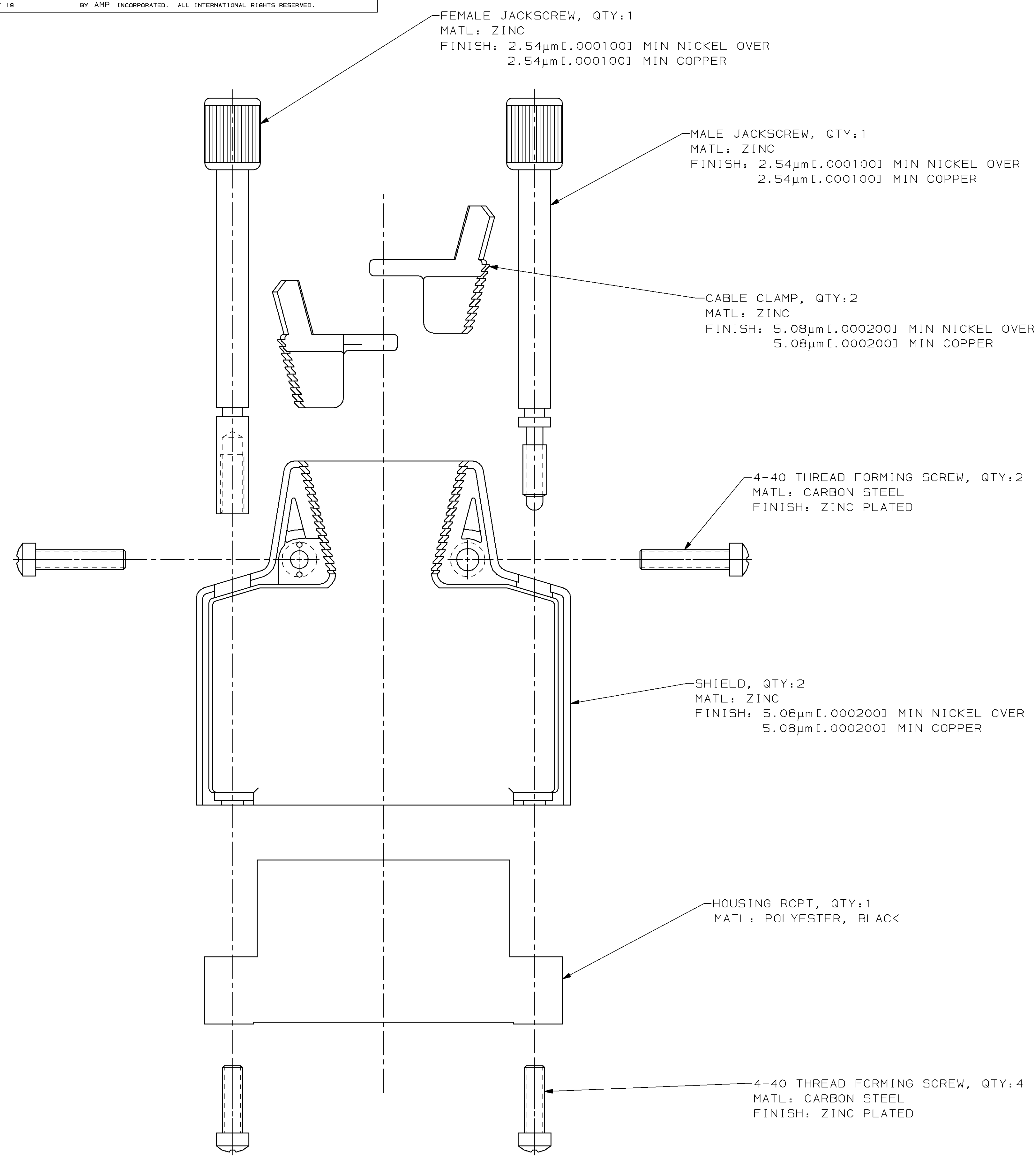
Tel: +86-755-8981 8866 Fax: +86-755-8427 6832

Email & Skype: info@chipsmall.com Web: www.chipsmall.com

Address: A1208, Overseas Decoration Building, #122 Zhenhua RD., Futian, Shenzhen, China



LOC		DIST		P		F		ZONE		LTR		REVISIONS			
FT	8											DESCRIPTION	DATE	APPD	
												0	RLSE -1 & -2 PER NPR 5125 WAS 94-7965-002-01 & -02	08-16-94	TC
												A	REV PER EC 0020-268-95	03/27/95	TC
												B	ADDED -3 PER EC 002-283-96	15 MAR 96	MM
												C	REV PER EC 0320-163-96	08 JAN 97	MM



10.16-15.24 [.400-.600]	213805-3
6.35-10.16 [.250-.400]	213805-2
3.81-7.62 [.150-.300]	213805-1
CABLE DIAMETER	PART NO

DO NOT SCALE PRINT. UNLESS SPECIFIED DIMENSIONS IN mm [INCHES] TOLERANCES ON: 2 PLC DEC ± 0.13[.005] 3 PLC DEC ± - ANGLES ± -		DR 08-16-94 D.BROCKWAY		AMP Incorporated Harrisburg, PA 17105-3608	
SEE CALLOUTS		CHK 10-05-94 R.STONE			
FINISH SEE CALLOUTS		APPD 10-06-94 T.COULSON		NAME CONNECTOR KIT, UNASSEMBLED, 34 POSITION, V.35 M SERIES	
APPLICATION SPEC -		SIZE D	CAGE CODE 00779	DRAWING NO 213805	
WEIGHT -		SCALE 3:1	SHEET 1 OF 1		