



Chipsmall Limited consists of a professional team with an average of over 10 year of expertise in the distribution of electronic components. Based in Hongkong, we have already established firm and mutual-benefit business relationships with customers from,Europe,America and south Asia,supplying obsolete and hard-to-find components to meet their specific needs.

With the principle of “Quality Parts,Customers Priority,Honest Operation,and Considerate Service”,our business mainly focus on the distribution of electronic components. Line cards we deal with include Microchip,ALPS,ROHM,Xilinx,Pulse,ON,Everlight and Freescale. Main products comprise IC,Modules,Potentiometer,IC Socket,Relay,Connector.Our parts cover such applications as commercial,industrial, and automotives areas.

We are looking forward to setting up business relationship with you and hope to provide you with the best service and solution. Let us make a better world for our industry!



Contact us

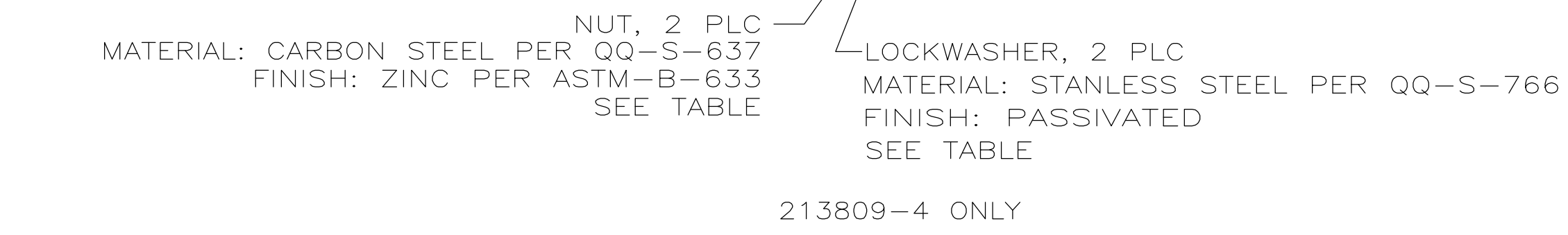
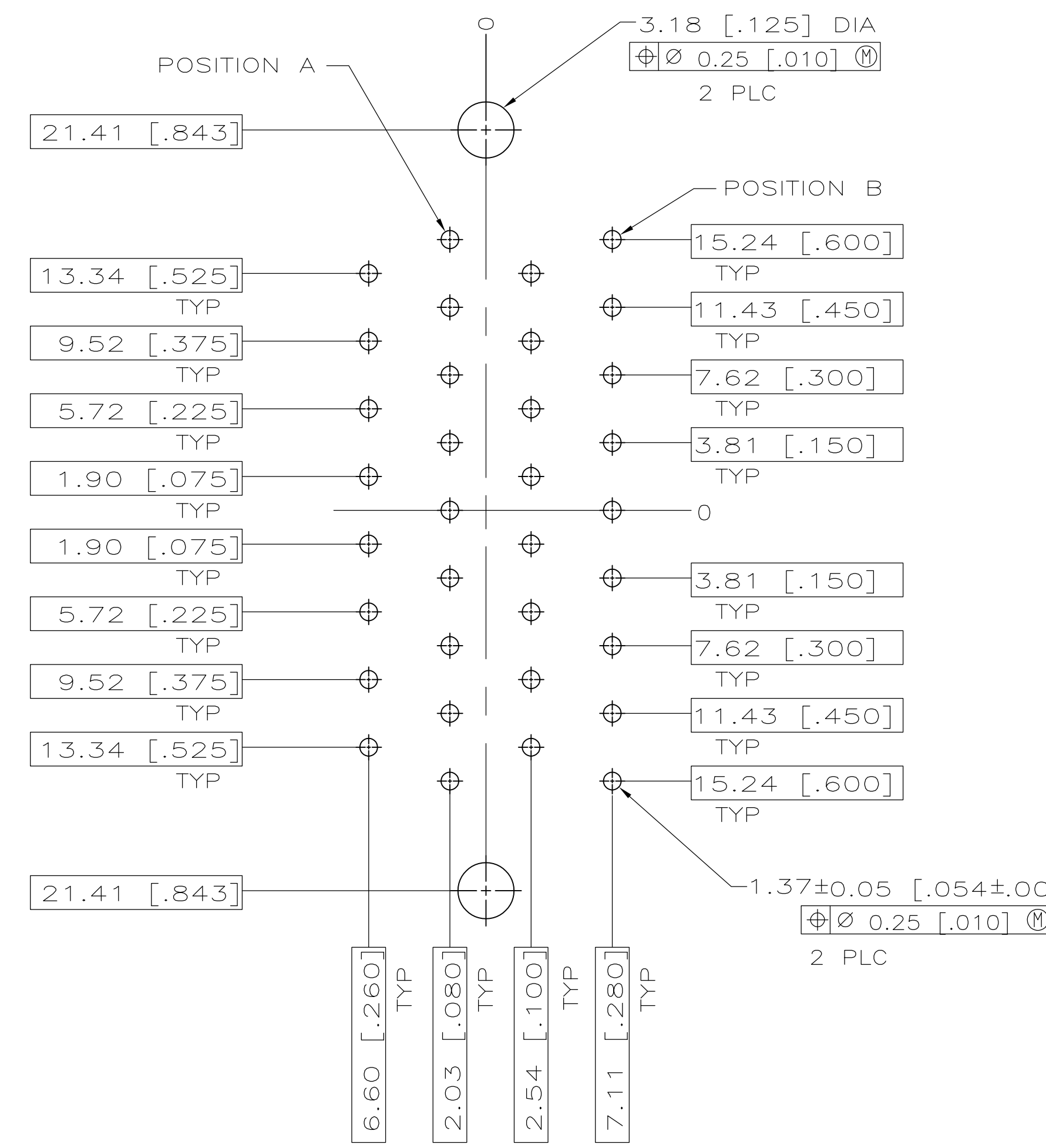
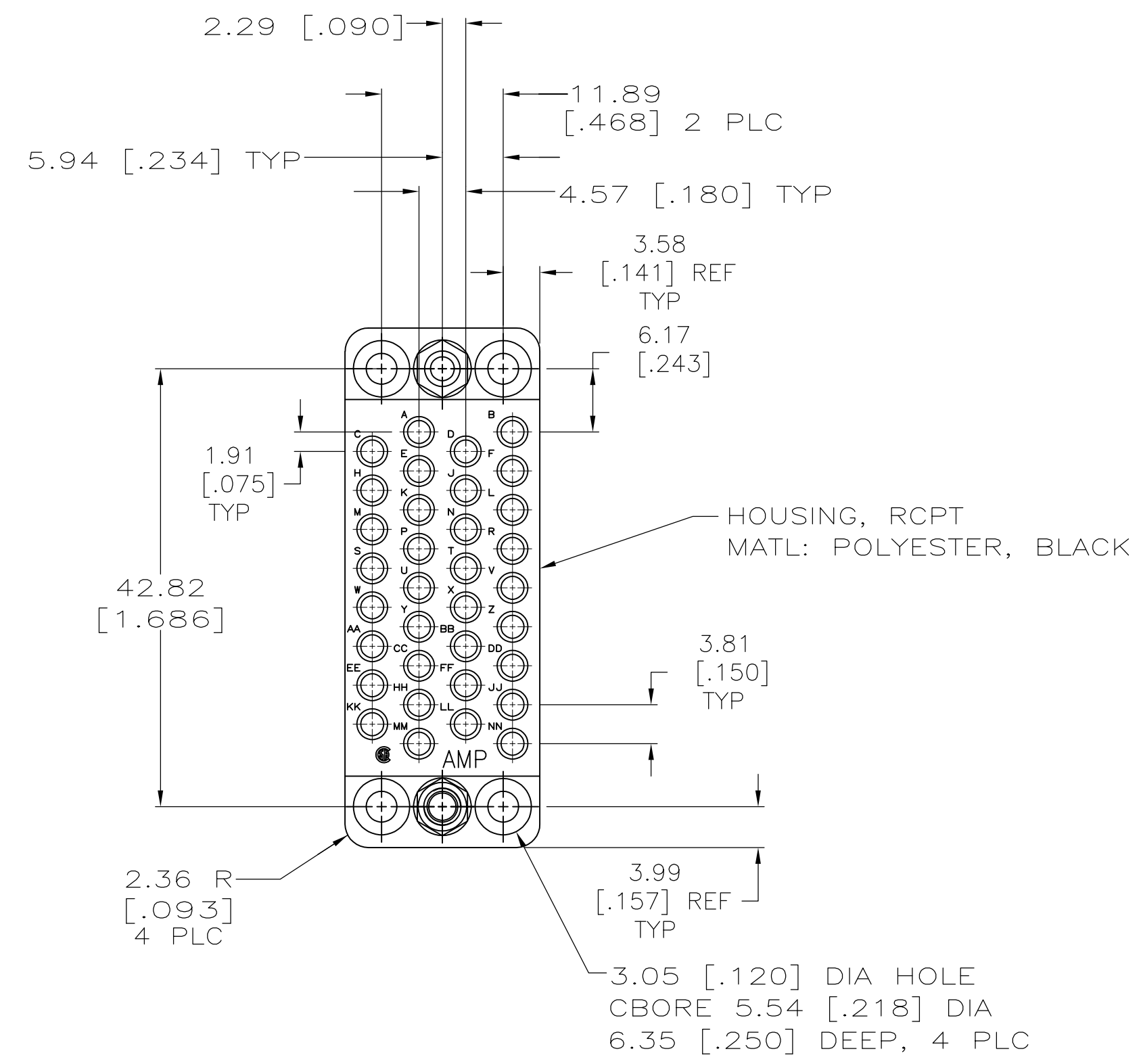
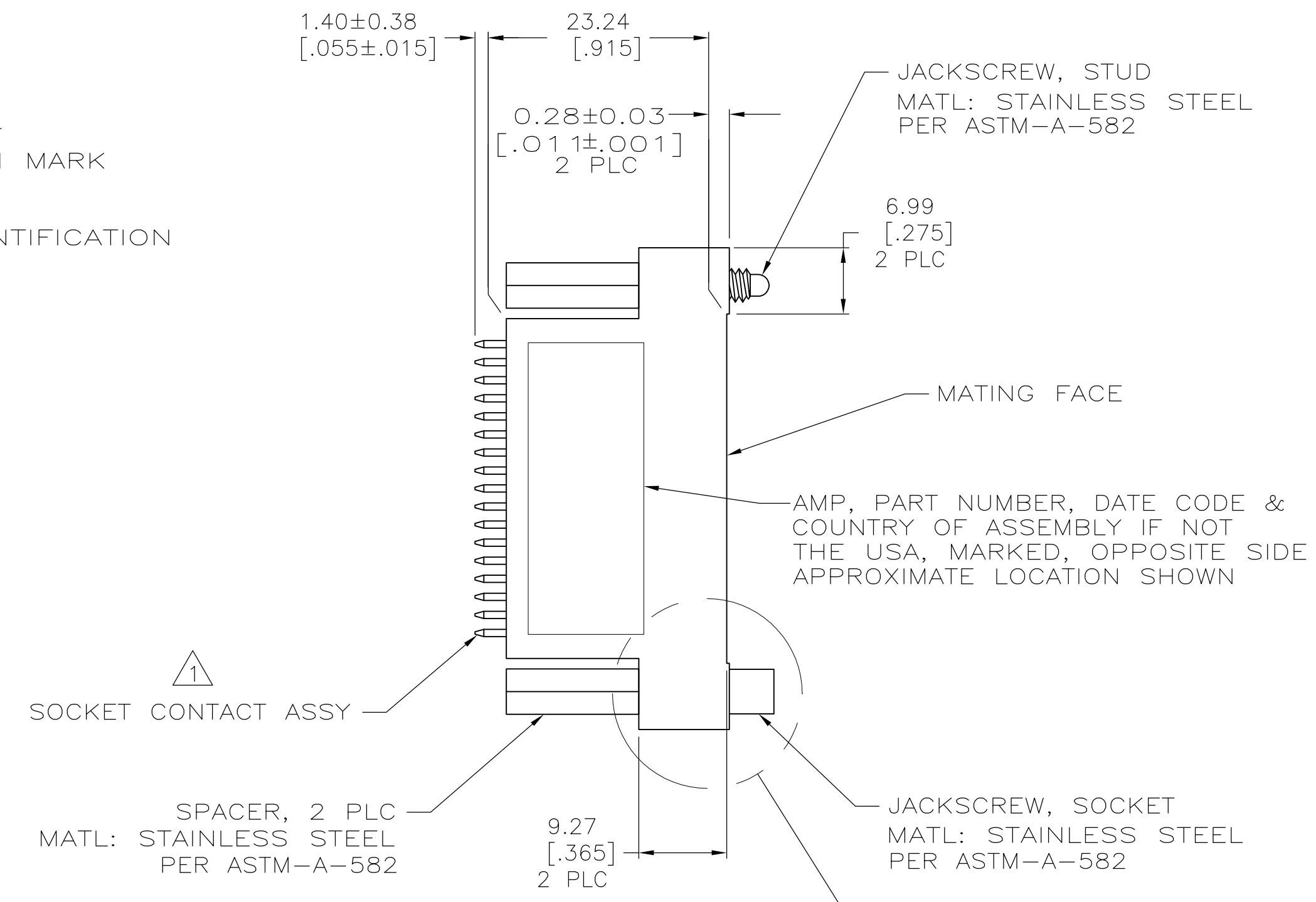
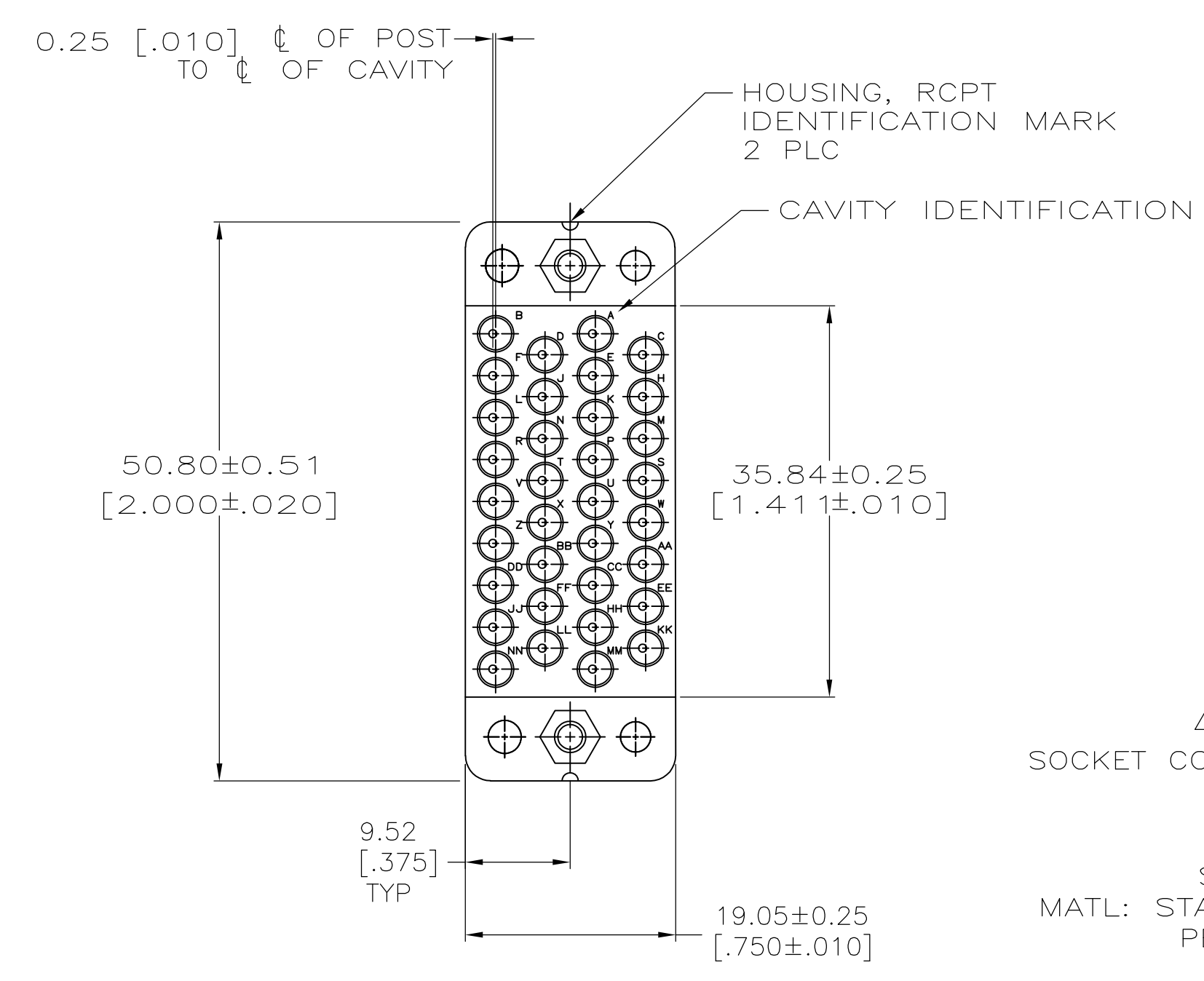
Tel: +86-755-8981 8866 Fax: +86-755-8427 6832

Email & Skype: info@chipsmall.com Web: www.chipsmall.com

Address: A1208, Overseas Decoration Building, #122 Zhenhua RD., Futian, Shenzhen, China



LOC		DIST		REVISIONS			
F	LTR	DESCRIPTION	DATE	DMN	APVD		
F		REVISED PER ECO-07-024895	10/22/07	SS	GS		
F1		REVISED PER ECO-09-020689	25AUG09	KK	AEG		



- SOCKET CONTACT ASSEMBLY BODY-MATERIAL: BRASS PER MIL-C-50 FINISH: 0.76um [.000030] MIN GOLD PER MIL-G-45204 FOR A LENGTH OF 5.08 [.200] MIN FROM MATING END, 2.54um [.000100] MIN TIN-LEAD PER MIL-T-10727 FOR A LENGTH OF 6.35 [.250] MIN FROM OPPOSITE END, BOTH OVER 1.27um [.000050] MIN NICKEL PER QQ-N-290. SPRING-MATERIAL: STAINLESS STEEL PER QQ-S-766. POST-MATERIAL: BRASS PER ASTM-B-134 FINISH: 2.54um [.000100] MIN TIN-LEAD PER MIL-T-10727 OVER 1.27um [.000050] MIN NICKEL PER QQ-N-290.
- SOCKET CONTACT ASSEMBLY IS SELECTIVELY LOADED AT CIRCUITS A,B,C,D,E,F,H,J,K,P,R,S,T,U,V,W,X,Y,AND AA.
- SOCKET CONTACT ASSEMBLY IS SELECTIVELY LOADED AT CIRCUITS A,B,C,D,E,F,H,J,K,L,N,P,R,S,T,U,V,W,X,Y,AA,BB,AND NN.
- SOCKET CONTACT ASSEMBLY BODY-MATERIAL: BRASS PER MIL-C-50 FINISH: 0.76um [.000030] MIN GOLD PER MIL-G-45204 FOR A LENGTH OF 5.08 [.200] MIN FROM MATING END, 2.54um [.000100] MIN TIN PER MIL-T-10727 FOR A LENGTH OF 6.35 [.250] MIN FROM OPPOSITE END, BOTH OVER 1.27um [.000050] MIN NICKEL PER QQ-N-290. SPRING-MATERIAL: STAINLESS STEEL PER QQ-S-766. POST-MATERIAL: BRASS PER ASTM-B-134 FINISH: 2.54um [.000100] MIN TIN PER MIL-T-10727 OVER 1.27um [.000050] MIN NICKEL PER QQ-N-290.

5 OBSOLETE PARTS: OBSOLETE CIS STREAMLINING PER D.RENAUD/D.SINIS

REV	DESCRIPTION	DATE	BY	CHKD	APPVD
5	OBSOLETE				
4	NUTS AND LOCKWASHERS				
3	1-213809-0				
5	OBSOLETE				
4	SPACERS				
3	213809-9				
5	OBSOLETE				
4	SPACERS				
2	213809-8				
4	SPACERS				
2	213809-7				
5	OBSOLETE				
4	NUTS AND LOCKWASHERS				
3	213809-4				
5	OBSOLETE				
4	SPACERS				
3	213809-3				
5	OBSOLETE				
4	SPACERS				
2	213809-2				
4	SPACERS				
1	213809-1				

RECOMMENDED PC BOARD LAYOUT
SCALE 4:1

THIS DRAWING IS A CONTROLLED DOCUMENT.

DIMENSIONS: mm [INCHES]	TOLERANCES UNLESS OTHERWISE SPECIFIED:	0 PLC ± -	1 PLC ± -	2 PLC ± 0.13 [.005]	3 PLC ± -	4 PLC ± -	ANGLES ± -
-------------------------	--	-----------	-----------	---------------------	-----------	-----------	------------

MATERIAL SEE CALLOUTS FINISH SEE CALLOUTS WEIGHT --

THIS DRAWING IS A CONTROLLED DOCUMENT. D.BROCKWAY 08-16-94 R.STONE 08-25-94

Tyco Electronics Corporation Harrisburg, Pa 17105-3608

CONNECTOR ASSEMBLY, SOCKET, 34 POSN, M SERIES

SIZE: A1 CAGE CODE: 00779 DRAWING NO: 213809

CUSTOMER DRAWING SCALE: 2:1 SHEET: 1 OF 1 REV: F1