



Chipsmall Limited consists of a professional team with an average of over 10 year of expertise in the distribution of electronic components. Based in Hongkong, we have already established firm and mutual-benefit business relationships with customers from,Europe,America and south Asia,supplying obsolete and hard-to-find components to meet their specific needs.

With the principle of “Quality Parts,Customers Priority,Honest Operation,and Considerate Service”,our business mainly focus on the distribution of electronic components. Line cards we deal with include Microchip,ALPS,ROHM,Xilinx,Pulse,ON,Everlight and Freescale. Main products comprise IC,Modules,Potentiometer,IC Socket,Relay,Connector.Our parts cover such applications as commercial,industrial, and automotives areas.

We are looking forward to setting up business relationship with you and hope to provide you with the best service and solution. Let us make a better world for our industry!



## Contact us

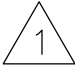

Tel: +86-755-8981 8866 Fax: +86-755-8427 6832

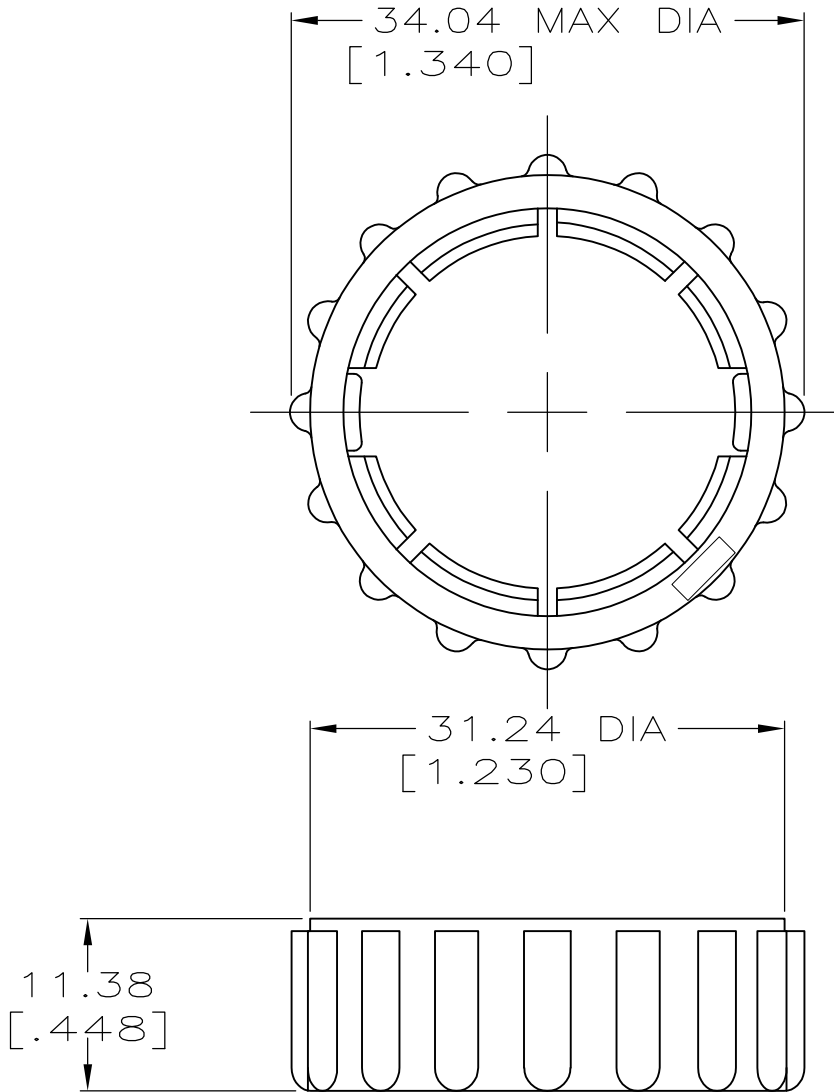
Email & Skype: info@chipsmall.com Web: www.chipsmall.com

Address: A1208, Overseas Decoration Building, #122 Zhenhua RD., Futian, Shenzhen, China



LOC	DIST	REVISIONS					
FT	4	P	LTR	DESCRIPTION	DATE	DWN	APVD
		B1		REVISED PER ECO-11-012039	14JUN11	HMR	DR

 UL RATED, UV(f1) MATERIAL  
 PRELIMINARY PART NUMBER




POLYAMIDE BLACK	213810-3
POLYESTER BLACK	213810-1
MATERIAL	PART NUMBER

RELEASED FOR PUBLICATION

ALL RIGHTS RESERVED.

THIS DRAWING IS UNPUBLISHED.

© COPYRIGHT - By -

DIMENSIONS: INCHES	DWN	06/20/95	MATERIAL	SEE TABLE	FINISH	-				
	CHK	06/21/95	 TE Connectivity							
TOLERANCES UNLESS OTHERWISE SPECIFIED:	R.STONE	06/21/95								
0 PLC ± - 1 PLC ± - 2 PLC ± 0.25 [.010] 3 PLC ± - 4 PLC ± - ANGLES ± -	APVD	06/21/95	NAME COUPLING RING, SIZE 17, CPC							
	R.BYERS									
	PRODUCT SPEC	-	SIZE	A4	CAGE CODE	00779	DRAWING NO	C-213810	RESTRICTED TO	-
	APPLICATION SPEC	-	CUSTOMER DRAWING							
	WEIGHT	-	SCALE	2:1		SHEET	1 OF 1		REV	B1

