



Chipsmall Limited consists of a professional team with an average of over 10 year of expertise in the distribution of electronic components. Based in Hongkong, we have already established firm and mutual-benefit business relationships with customers from,Europe,America and south Asia,supplying obsolete and hard-to-find components to meet their specific needs.

With the principle of “Quality Parts,Customers Priority,Honest Operation,and Considerate Service”,our business mainly focus on the distribution of electronic components. Line cards we deal with include Microchip,ALPS,ROHM,Xilinx,Pulse,ON,Everlight and Freescale. Main products comprise IC,Modules,Potentiometer,IC Socket,Relay,Connector.Our parts cover such applications as commercial,industrial, and automotives areas.

We are looking forward to setting up business relationship with you and hope to provide you with the best service and solution. Let us make a better world for our industry!



## Contact us

Tel: +86-755-8981 8866 Fax: +86-755-8427 6832

Email & Skype: info@chipsmall.com Web: www.chipsmall.com

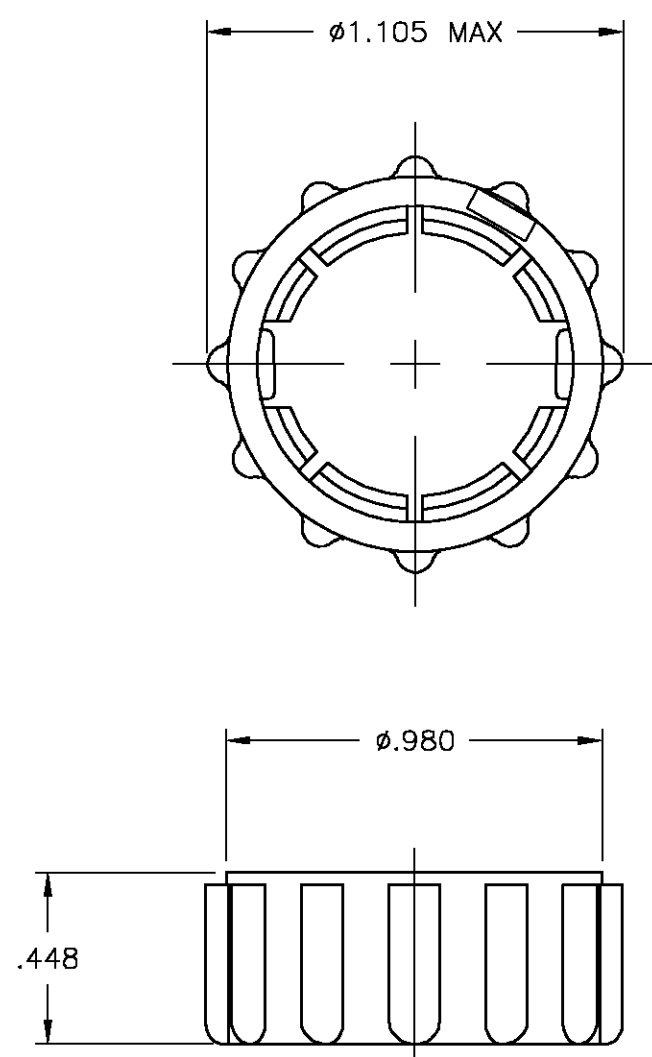
Address: A1208, Overseas Decoration Building, #122 Zhenhua RD., Futian, Shenzhen, China



THIS DRAWING IS UNPUBLISHED. RELEASED FOR PUBLICATION  
 © COPYRIGHT BY TYCO ELECTRONICS CORPORATION. ALL RIGHTS RESERVED.

LOC	DIST	REVISIONS			
P	LTR	DESCRIPTION	DATE	DWN	APVD
		C	REVISED PER 0G3B-0124-02	8/4/03	SS SH

NOTES:  
 ① PRELIMINARY PART NUMBER.



①	PULL FREE	213813-2
	-	213813-1
	NOTES	PART NUMBER

THIS DRAWING IS A CONTROLLED DOCUMENT.		DWN D.HARDY 06/20/95	Tyco Electronics Corporation Harrisburg, PA 17105	
DIMENSIONS: INCHES		CHK R.STONE 06/21/95		
		APVD R.BYERS 06/21/95	NAME COUPLING RING, SIZE 13, CPC	
TOLERANCES UNLESS OTHERWISE SPECIFIED:		PRODUCT SPEC	-	
0 PLC ± - 1 PLC ± - 2 PLC ± - 3 PLC ± .010 4 PLC ± - ANGLES ± -		APPLICATION SPEC	-	
MATERIAL NYLON, BLACK		FINISH	-	
		WEIGHT	-	
		CUSTOMER DRAWING	SIZE A3	CAGE CODE 00779
			DRAWING NO C-213813	RESTRICTED TO
			SCALE 2:1	SHEET 1 OF 1
			REV C	