



Chipsmall Limited consists of a professional team with an average of over 10 year of expertise in the distribution of electronic components. Based in Hongkong, we have already established firm and mutual-benefit business relationships with customers from,Europe,America and south Asia,supplying obsolete and hard-to-find components to meet their specific needs.

With the principle of “Quality Parts,Customers Priority,Honest Operation,and Considerate Service”,our business mainly focus on the distribution of electronic components. Line cards we deal with include Microchip,ALPS,ROHM,Xilinx,Pulse,ON,Everlight and Freescale. Main products comprise IC,Modules,Potentiometer,IC Socket,Relay,Connector.Our parts cover such applications as commercial,industrial, and automotives areas.

We are looking forward to setting up business relationship with you and hope to provide you with the best service and solution. Let us make a better world for our industry!



Contact us

Tel: +86-755-8981 8866 Fax: +86-755-8427 6832

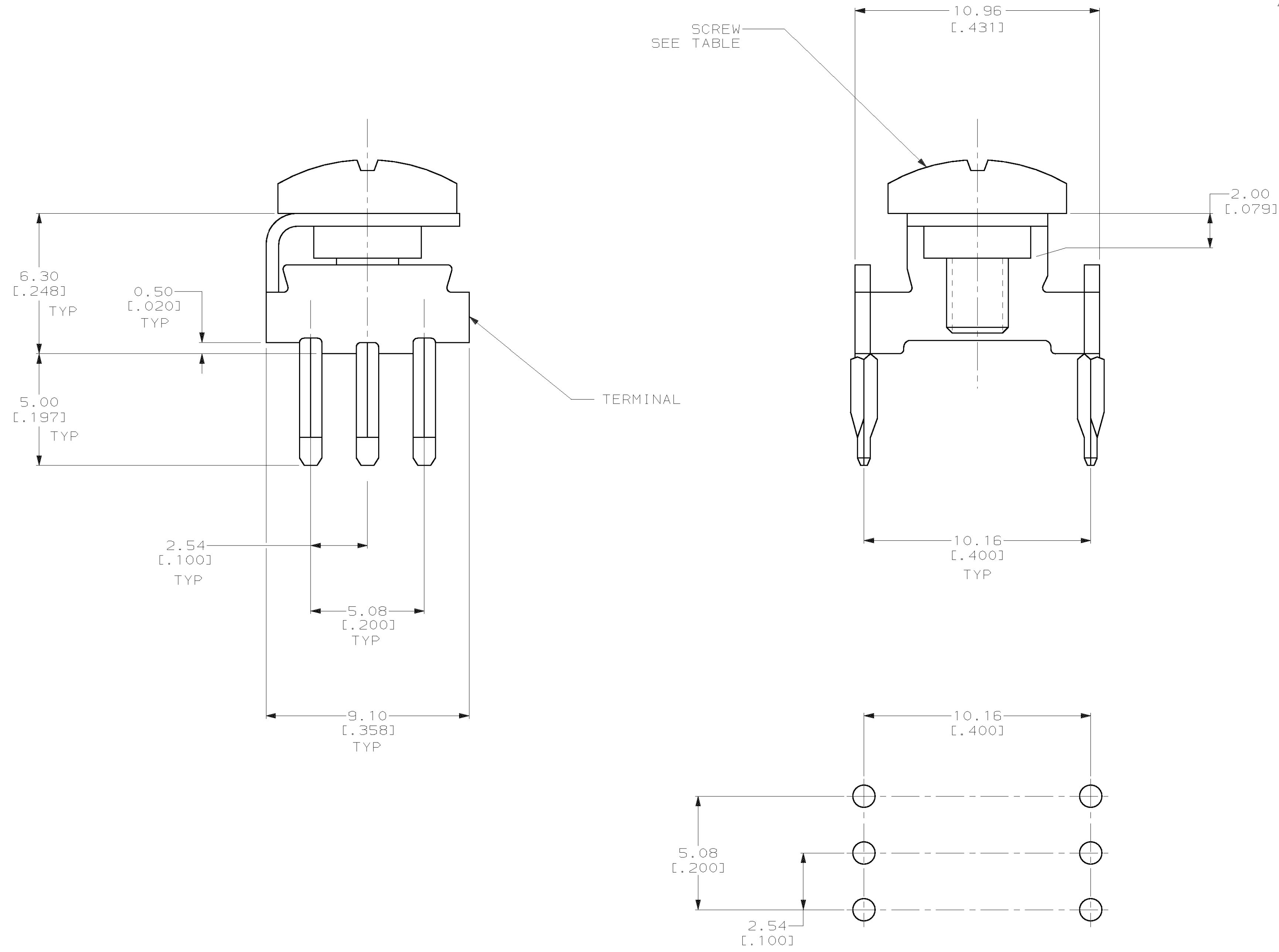
Email & Skype: info@chipsmall.com Web: www.chipsmall.com

Address: A1208, Overseas Decoration Building, #122 Zhenhua RD., Futian, Shenzhen, China



LOC		DIST		P		F		ZONE		LTR		REVISIONS			
FT	0											DESCRIPTION	DATE	APPD	
												C	REVISE PER ECN 063B-0428-00	24AUG00	SU/SH

- ① TERMINAL: PHOSPHOR BRONZE; SCREW: STAINLESS STEEL.
- ② 2.54μm[.000100] MIN TIN OVER 1.25μm[.000050] MIN NICKEL.
- ③ PASSIVATED.



RECOMMENDED P.C. BOARD LAYOUT

PLATED THROUGH HOLE SPECIFICATION	
DRILLED HOLE	1.6±0.025
Cu- THICKNESS	25-75 μm
SnPb- THICKNESS	4-10 μm
FINISHED HOLE	1.39-1.54
FINISHED HOLE (AFTER REFLOW)	1.36-1.54

THIS DRAWING IS A CONTROLLED DOCUMENT FOR AMP INCORPORATED. IT IS SUBJECT TO CHANGE AND THE CONTROLLING ENGINEERING ORGANIZATION SHOULD BE CONTACTED FOR THE LATEST REVISION.

DO NOT SCALE PRINT. UNLESS SPECIFIED DIMENSIONS IN mm [INCHES] TOLERANCES ON: 2 PLC DEC ± 0.13 (.005) 3 PLC DEC ± - ANGLES ± -	DR 11-01-94 D.BROCKWAY CHK 11-11-94 R.STONE APPD 11-11-94 T.COULSON APPD 11-11-94 T.COULSON
MATERIAL	PRODUCT SPEC -
FINISH	APPLICATION SPEC -
SCREW: ③	WEIGHT -
TERMINAL: ②	

M4 X 0.5	213816-2	
M4 X 0.6	213816-1	
SCREW	PART NUMBER	
AMP AMP Incorporated Harrisburg, PA 17105-3608		
NAME POWER TAP ASSY, 6 POSN		
SIZE	CAGE CODE	DRAWING NO
D	00779	G-213816
SCALE	8:1	SHEET
		1 OF 1