



Chipsmall Limited consists of a professional team with an average of over 10 year of expertise in the distribution of electronic components. Based in Hongkong, we have already established firm and mutual-benefit business relationships with customers from,Europe,America and south Asia,supplying obsolete and hard-to-find components to meet their specific needs.

With the principle of “Quality Parts,Customers Priority,Honest Operation,and Considerate Service”,our business mainly focus on the distribution of electronic components. Line cards we deal with include Microchip,ALPS,ROHM,Xilinx,Pulse,ON,Everlight and Freescale. Main products comprise IC,Modules,Potentiometer,IC Socket,Relay,Connector.Our parts cover such applications as commercial,industrial, and automotives areas.

We are looking forward to setting up business relationship with you and hope to provide you with the best service and solution. Let us make a better world for our industry!



Contact us

Tel: +86-755-8981 8866 Fax: +86-755-8427 6832

Email & Skype: info@chipsmall.com Web: www.chipsmall.com

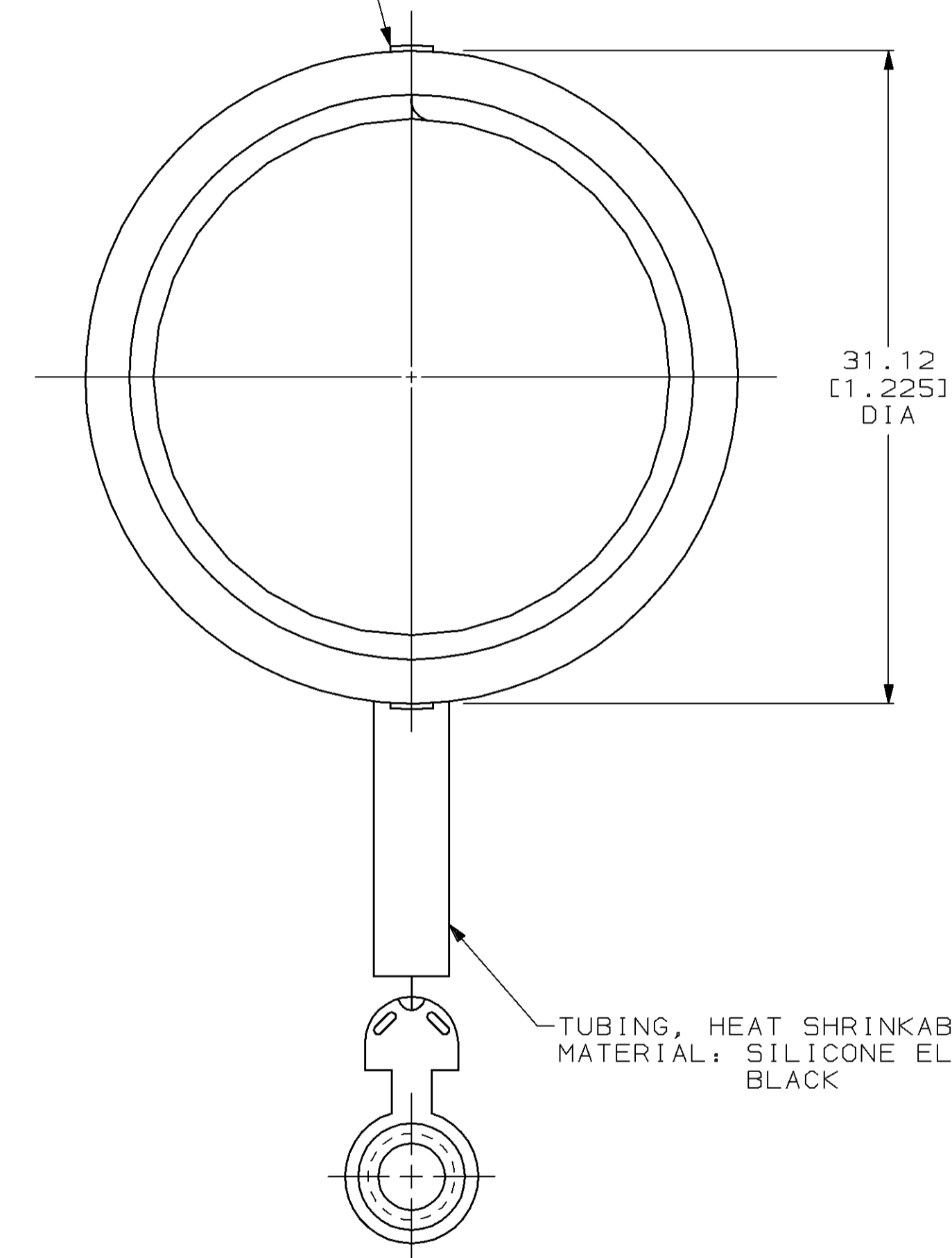
Address: A1208, Overseas Decoration Building, #122 Zhenhua RD., Futian, Shenzhen, China



THIS DRAWING IS UNPUBLISHED. RELEASED FOR PUBLICATION
 BY AMP INCORPORATED. ALL RIGHTS RESERVED.

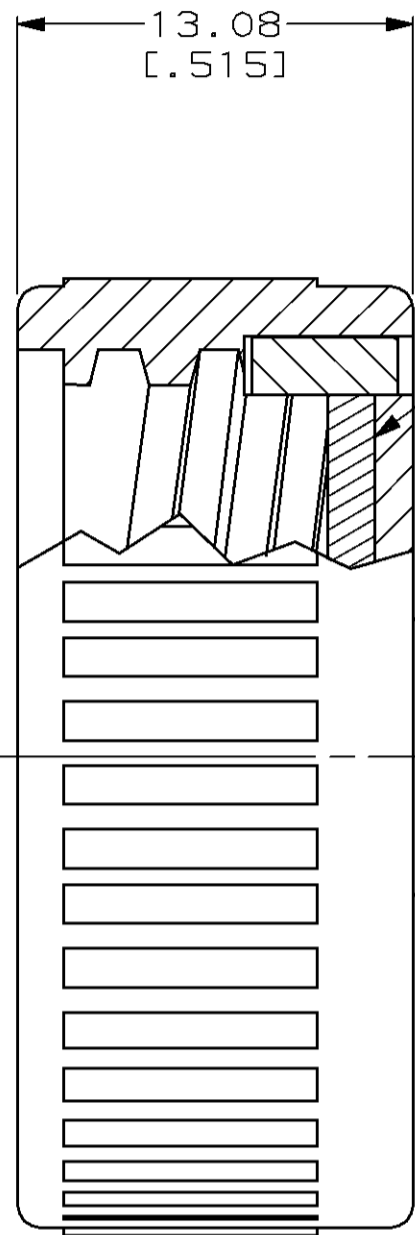
Loc	DIST	REVISIONS					
		P	LTR	DESCRIPTION	DATE	DWN	APVD
BD	35						
		0		RLSE PER NPR 5273 WAS 94-4955-003	01/20/95	-	-
		A		REV PER EC 0020-363-95	04/20/95	DH	AF
		B		ADDED -2 PER EC 0020-606-95	06/09/95	DH	AF

RAISED INDICATOR
ARROW



31.12
[1.225]
DIA

TUBING, HEAT SHRINKABLE: SEE TABLE
MATERIAL: SILICONE ELASTOMER,
BLACK



13.08
[0.515]

9.14 MAX
[0.360]

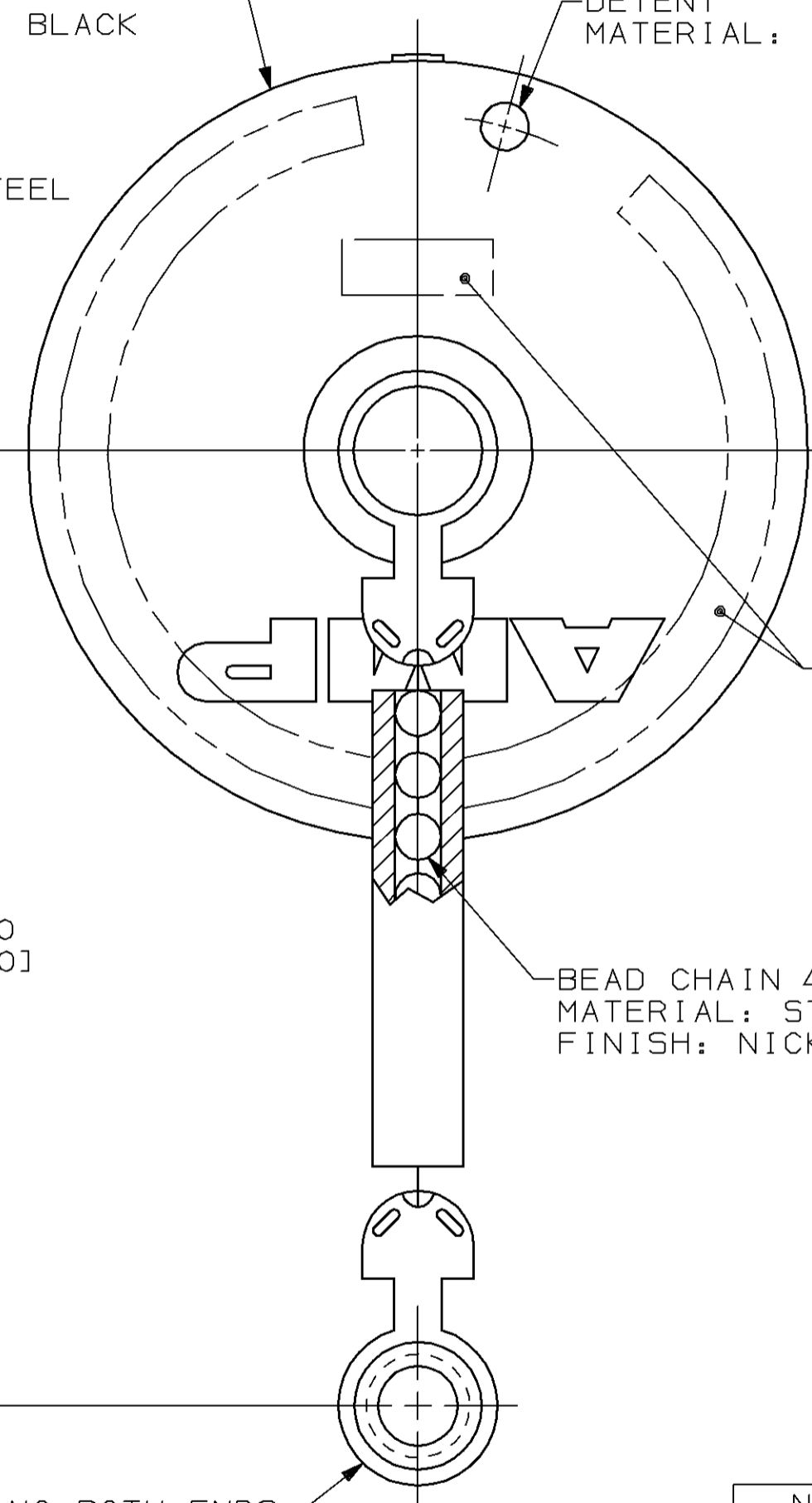
SEALING GASKET
MATERIAL: ELASTOMER, BLACK
1.57 [0.062] THK

DRIVE STUD
MATERIAL: CARBON STEEL
FINISH: NICKEL PER
QQ-N-290

57.15
[2.250]

PROTECTIVE CAP
MATERIAL: ZINC PER QQ-Z-363
FINISH: 10.16µm [0.000400] MIN NICKEL
PER QQ-N-290 OVER 10.16µm [0.000400]
MIN COPPER PER MIL-C-14550

DETENT
MATERIAL: THERMOPLASTIC, BLACK



76.20
[3.000]

AMP, PART NO & DATE
CODE STAMPED IN
ANY OF THESE AREAS.

BEAD CHAIN ¹
MATERIAL: STEEL
FINISH: NICKEL PER QQ-N-290

COUPLING BOTH ENDS
MATERIAL: BRASS
FINISH: NICKEL PER
QQ-N-290

NO	213823-2
YES	213823-1
TUBING	PART NUMBER

¹ BEADED PORTION OF CHAIN MUST ROTATE FREELY. THE EYELET OF
THE CHAIN IS NOT REQUIRED TO SPIN FREELY AROUND THE STUD.

THIS DRAWING IS A CONTROLLED DOCUMENT FOR AMP INCORPORATED. IT IS SUBJECT TO CHANGE AND THE CONTROLLING ENGINEERING ORGANIZATION SHOULD BE CONTACTED FOR THE LATEST REVISION.		DWN K.FOLTZ 01/20/95	AMP Incorporated Harrisburg, PA 17105-3608	
DIMENSIONS: mm [INCHES]		CHK R.STONE 01/20/95	NAME	
TOLERANCES UNLESS OTHERWISE SPECIFIED:		APVD A.FRANTUM 01/23/95	PRODUCT SPEC	
0 PLC ±-		APPLICATION SPEC		
1 PLC ±-		WEIGHT		
2 PLC ±0.25 [0.010]		SCALE		
3 PLC ±-		SHEET		
4 PLC ±-		REV		
ANGLES ±-		CUSTOMER DRAWING		
FINISH		DRAWING NO		
SEE CALLOUTS		A2 00779 C-213823		
		SCALE 4:1 SHEET 1 OF 1 REV B		