



Chipsmall Limited consists of a professional team with an average of over 10 year of expertise in the distribution of electronic components. Based in Hongkong, we have already established firm and mutual-benefit business relationships with customers from,Europe,America and south Asia,supplying obsolete and hard-to-find components to meet their specific needs.

With the principle of “Quality Parts,Customers Priority,Honest Operation,and Considerate Service”,our business mainly focus on the distribution of electronic components. Line cards we deal with include Microchip,ALPS,ROHM,Xilinx,Pulse,ON,Everlight and Freescale. Main products comprise IC,Modules,Potentiometer,IC Socket,Relay,Connector.Our parts cover such applications as commercial,industrial, and automotives areas.

We are looking forward to setting up business relationship with you and hope to provide you with the best service and solution. Let us make a better world for our industry!



Contact us

Tel: +86-755-8981 8866 Fax: +86-755-8427 6832

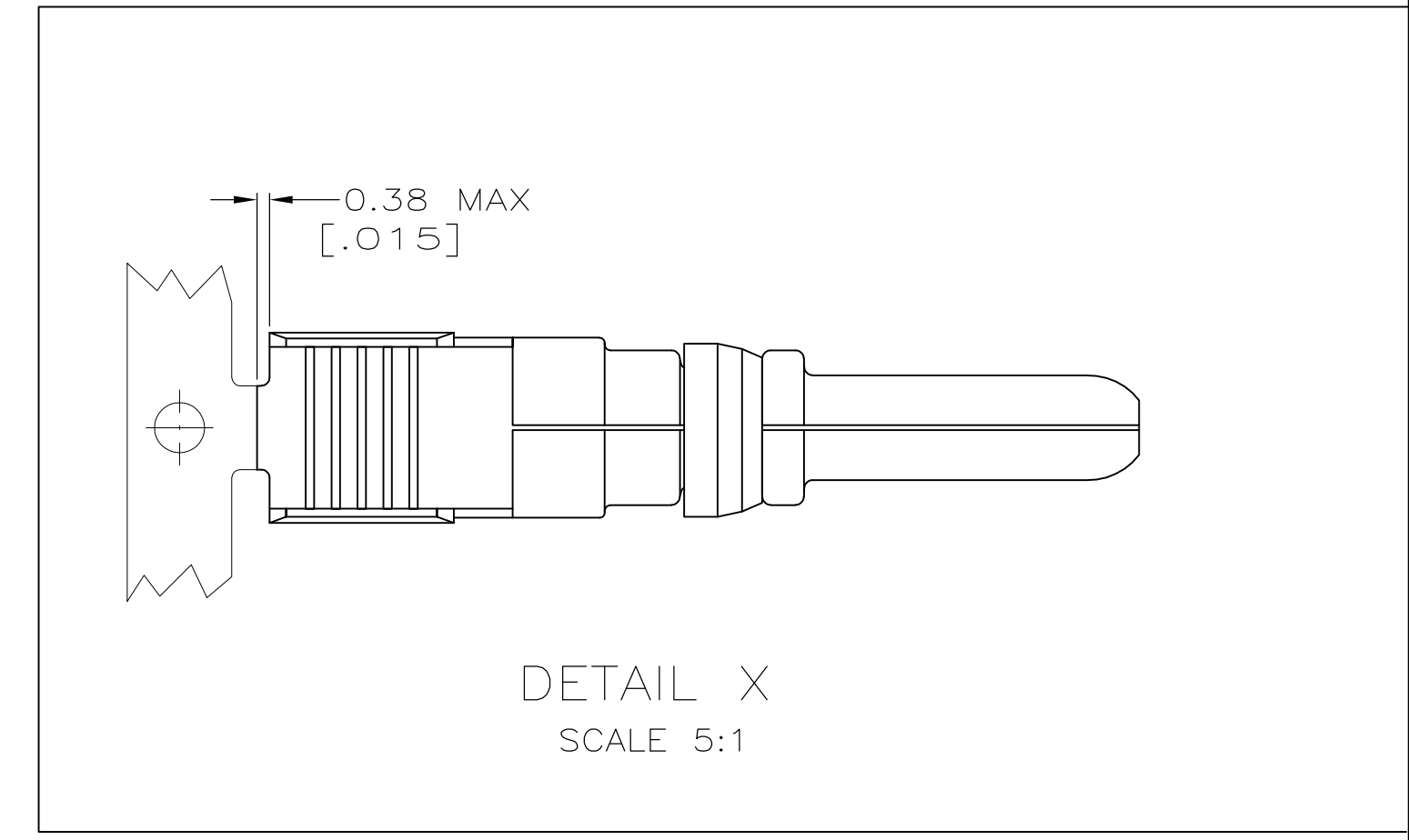
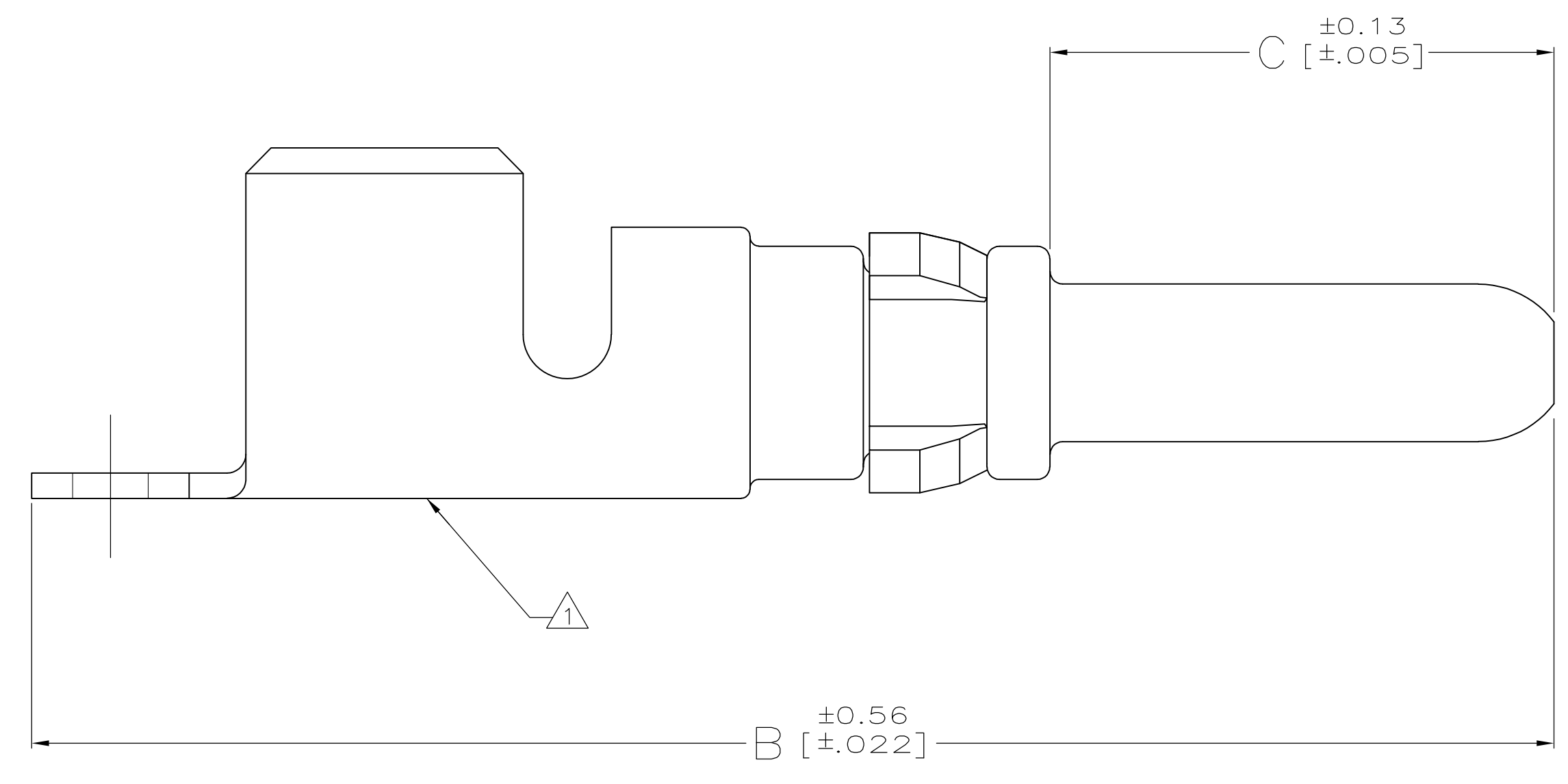
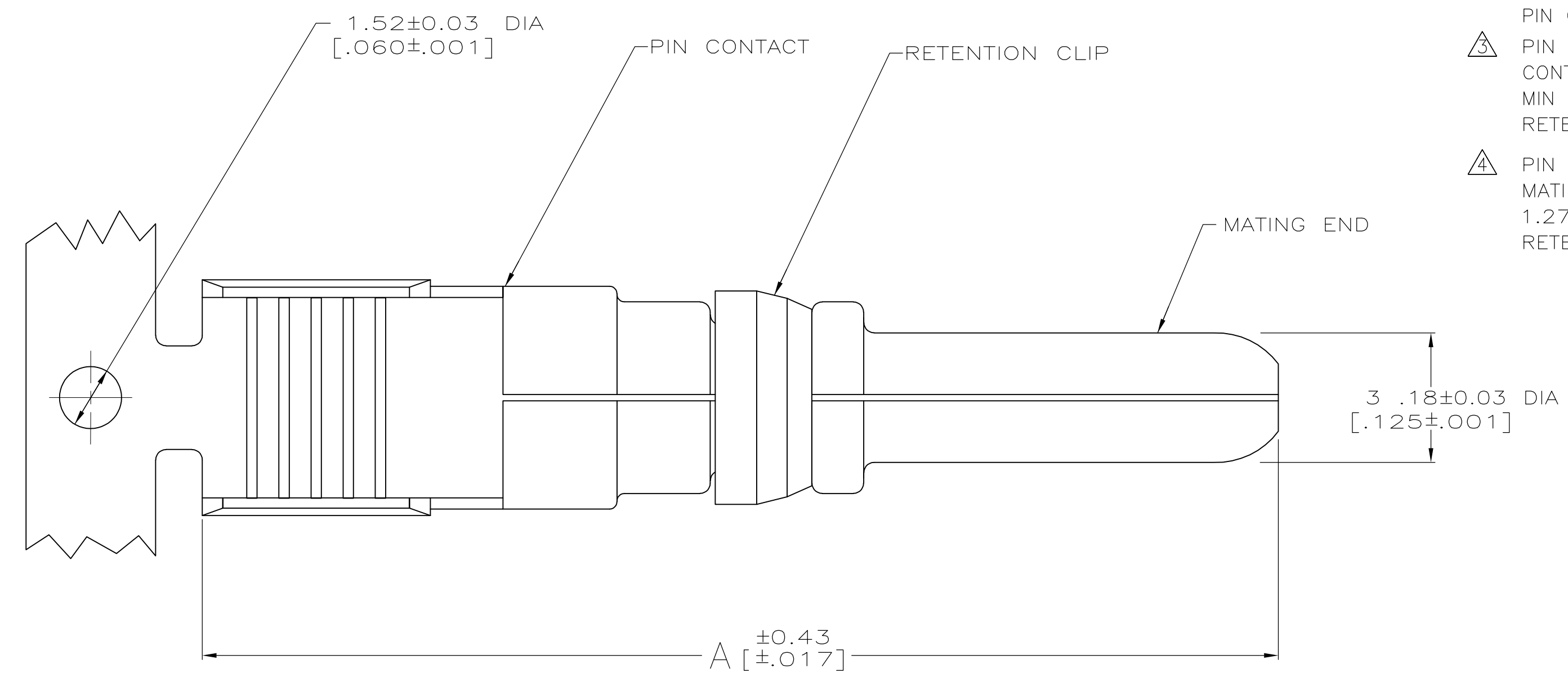
Email & Skype: info@chipsmall.com Web: www.chipsmall.com

Address: A1208, Overseas Decoration Building, #122 Zhenhua RD., Futian, Shenzhen, China



LOC	DIST	REVISIONS			
P	LTR	DESCRIPTION	DATE	OWN	APPD
B1		REVISED PER ECO-11-005027	11MAR11	RK	HMR

- ⚠ WIRE SIZE AND AMP LOGO APPEAR ON OUTSIDE OF WIRE BARREL.
- ⚠ RETENTION CLIP: PHOSPHOR BRONZE PER QQ-B-750.
PIN CONTACT: COPPER PER QQ-C-576.
- ⚠ PIN CONTACT: 0.76 μ m [.000030] MIN GOLD PER MIL-G-45204 ON CONTACT MATING END, GOLD FLASH ON REMAINDER, ALL OVER 1.27 μ m [.000050] MIN NICKEL PER QQ-N-390.
RETENTION CLIP: 2.54 μ m [.000100] MIN NICKEL PER QQ-N-290.
- ⚠ PIN CONTACT: 5.08 μ m [.000200] MIN SILVER PER QQ-S-365 ON CONTACT MATING END, 1.27 μ m [.000050] MIN SILVER ON REMAINDER, ALL OVER 1.27 μ m [.000050] MIN NICKEL PER QQ-N-290.
RETENTION CLIP: 2.54 μ m [.000100] MIN NICKEL PER QQ-N-290.



3	12.32 [.485]	-	28.52 [1.123]	DETAIL X	213841-8
4	12.32 [.485]	-	28.52 [1.123]	DETAIL X	213841-7
3	12.32 [.485]	32.84 [1.293]	28.52 [1.123]	-	213841-6
4	12.32 [.485]	32.84 [1.293]	28.52 [1.123]	-	213841-5
3	10.16 [.400]	-	26.37 [1.038]	DETAIL X	213841-4
4	10.16 [.400]	-	26.37 [1.038]	DETAIL X	213841-3
3	10.16 [.400]	30.68 [1.208]	26.37 [1.038]	-	213841-2
4	10.16 [.400]	30.68 [1.208]	26.37 [1.038]	-	213841-1
FINISH	C	B	A	LOOSE PIECE	PART NUMBER

THIS DRAWING IS A CONTROLLED DOCUMENT. DWN: C. OBERMAN 21 MAR 96, CHK: R. STONE 25 MAR 96, APVD: G. STEINHAUER 26 MAR 96

STE TE Connectivity

PIN CONTACT ASSEMBLY
8-10 AWG, POWERBAND,
METRIMATE

SIZE: A1, CAGE CODE: 00779, DRAWING NO: 213841, SCALE: 10:1, SHEET: 1 OF 1, REV: B1

MATERIAL: SEE TABLE, FINISH: SEE TABLE, WEIGHT: -

CUSTOMER DRAWING