



Chipsmall Limited consists of a professional team with an average of over 10 year of expertise in the distribution of electronic components. Based in Hongkong, we have already established firm and mutual-benefit business relationships with customers from,Europe,America and south Asia,supplying obsolete and hard-to-find components to meet their specific needs.

With the principle of "Quality Parts,Customers Priority,Honest Operation,and Considerate Service",our business mainly focus on the distribution of electronic components. Line cards we deal with include Microchip,ALPS,ROHM,Xilinx,Pulse,ON,Everlight and Freescale. Main products comprise IC,Modules,Potentiometer,IC Socket,Relay,Connector.Our parts cover such applications as commercial,industrial, and automotives areas.

We are looking forward to setting up business relationship with you and hope to provide you with the best service and solution. Let us make a better world for our industry!



Contact us

Tel: +86-755-8981 8866 Fax: +86-755-8427 6832

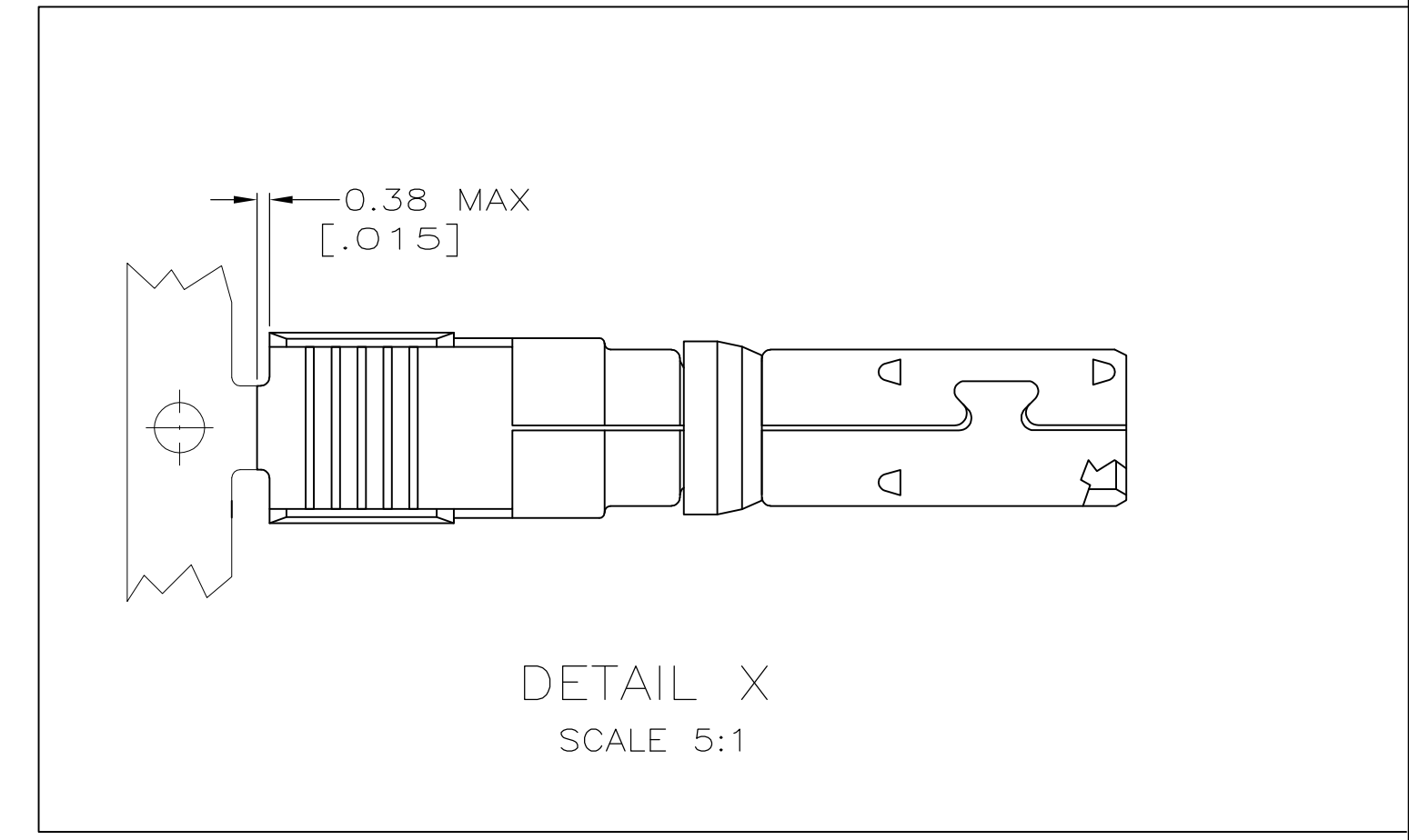
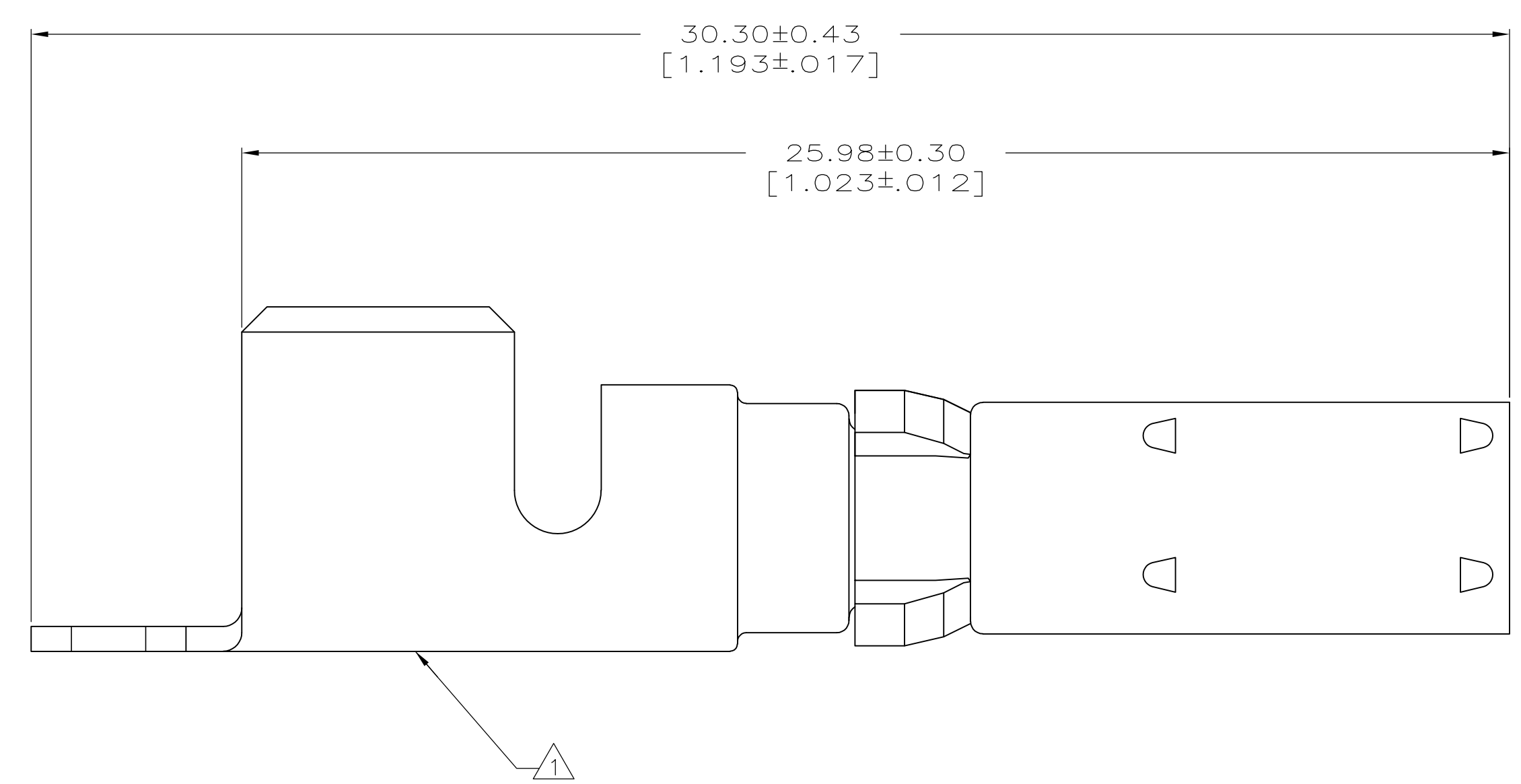
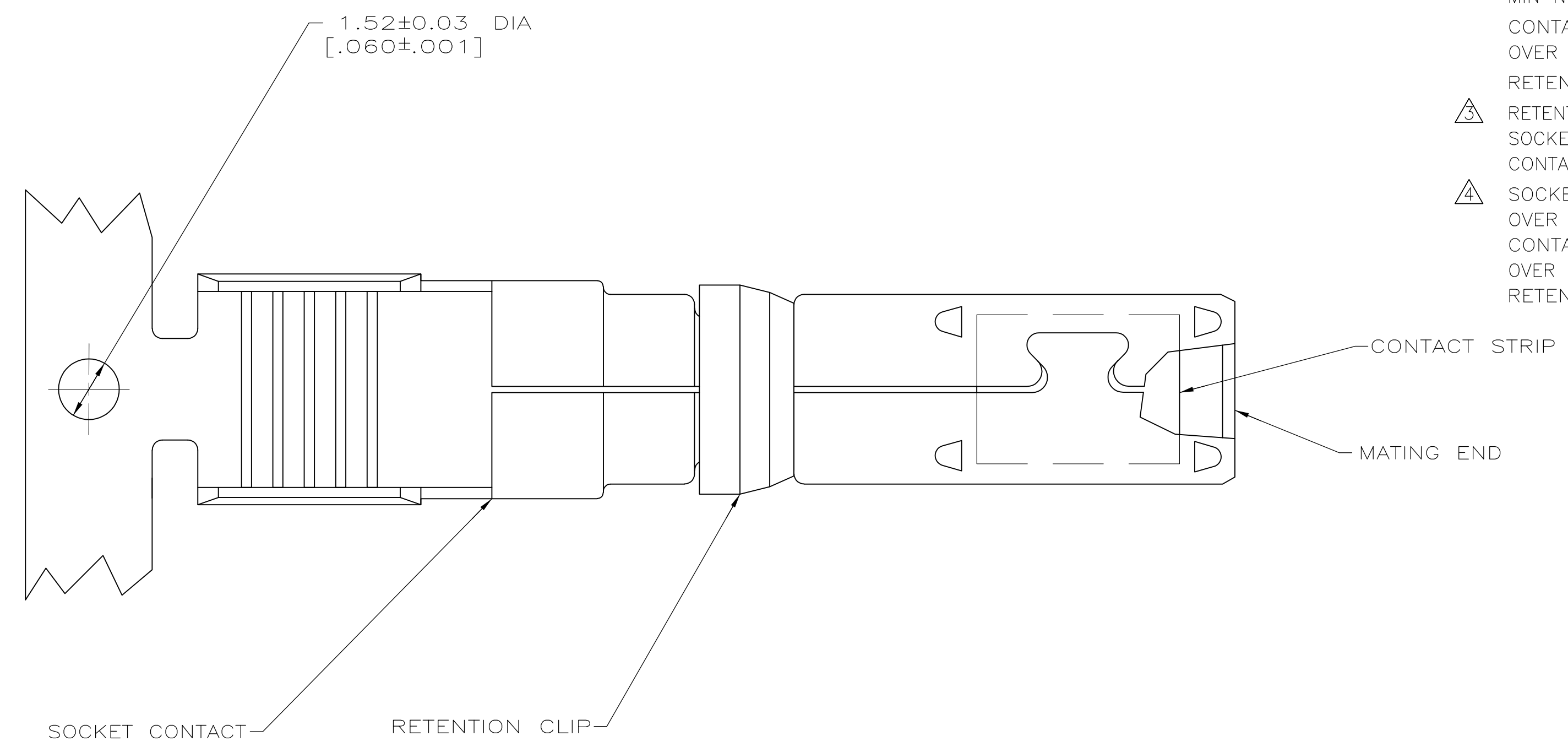
Email & Skype: info@chipsmall.com Web: www.chipsmall.com

Address: A1208, Overseas Decoration Building, #122 Zhenhua RD., Futian, Shenzhen, China



LOC		DIST		REVISIONS			
P	LTR	DESCRIPTION	DATE	OWN	APPD	REV	REV
B1		REVISED PER ECO-11-004917	11MAR11	RK	HMR		

- ⚠ WIRE SIZE AND AMP LOGO APPEAR ON OUTSIDE OF WIRE BARREL.
- ⚠ SOCKET CONTACT: 0.38μm [.000015] MIN GOLD PER MIL-G-45204 ON CONTACT MATING END, GOLD FLASH ON REMAINDER, ALL OVER 1.27μm [.000050] MIN NICKEL PER QQ-N-390.
- CONTACT STRIP: 0.76μm [.000030] MIN GOLD PER MIL-G-45204 OVER 1.02μm [.000040] MIN NICKEL PER QQ-N-390.
- RETENTION CLIP: 2.54μm [.000100] MIN NICKEL PER QQ-N-290.
- ⚠ RETENTION CLIP: PHOSPHOR BRONZE PER QQ-B-750.
- SOCKET CONTACT: COPPER PER QQ-C-576.
- CONTACT STRIP: BERYLLIUM COPPER PER QQ-C-533.
- ⚠ SOCKET CONTACT: 1.27μm [.000050] MIN SILVER PER QQ-S-365, ALL OVER 1.27μm [.000050] MIN NICKEL PER QQ-N-290.
- CONTACT STRIP: 5.08μm [.000200] MIN SILVER PER QQ-S-365, ALL OVER 1.02 μm [.000040] MIN NICKEL PER QQ-N-290.
- RETENTION CLIP: 2.54μm [.000100] MIN NICKEL PER QQ-N-290.



2	DETAIL X	213843-4
4	DETAIL X	213843-3
2	-	213843-2
4	-	213843-1
FINISH	LOOSE PIECE	PART NUMBER

THIS DRAWING IS A CONTROLLED DOCUMENT.

DIMENSIONS: MM(INCHES)	TOLERANCES UNLESS OTHERWISE SPECIFIED:	0 PLC ± -	1 PLC ± -	2 PLC ± -	3 PLC ± -	4 PLC ± -	ANGLES ± -
FINISH: SEE TABLE		MATERIAL: ⚠		WEIGHT: -		SCALE: 10:1	

OWN: C. OBERMAN	21 MAR 96	TE Connectivity
CHK: R. STONE	25 MAR 96	
APVD: G. STEINHAUER	26 MAR 96	
NAME: SOCKET CONTACT ASSEMBLY, 8-10 AWG, POWERBAND, METRIMATE		RESTRICTED TO
PRODUCT SPEC: -	APPLICATION SPEC: -	SIZE: A1
CUSTOMER DRAWING		DRAWING NO: 00779
SCALE: 10:1		DRAWING NO: 213843
SHEET 1 OF 1		REV B1