



Chipsmall Limited consists of a professional team with an average of over 10 year of expertise in the distribution of electronic components. Based in Hongkong, we have already established firm and mutual-benefit business relationships with customers from,Europe,America and south Asia,supplying obsolete and hard-to-find components to meet their specific needs.

With the principle of “Quality Parts,Customers Priority,Honest Operation,and Considerate Service”,our business mainly focus on the distribution of electronic components. Line cards we deal with include Microchip,ALPS,ROHM,Xilinx,Pulse,ON,Everlight and Freescale. Main products comprise IC,Modules,Potentiometer,IC Socket,Relay,Connector.Our parts cover such applications as commercial,industrial, and automotives areas.

We are looking forward to setting up business relationship with you and hope to provide you with the best service and solution. Let us make a better world for our industry!



Contact us

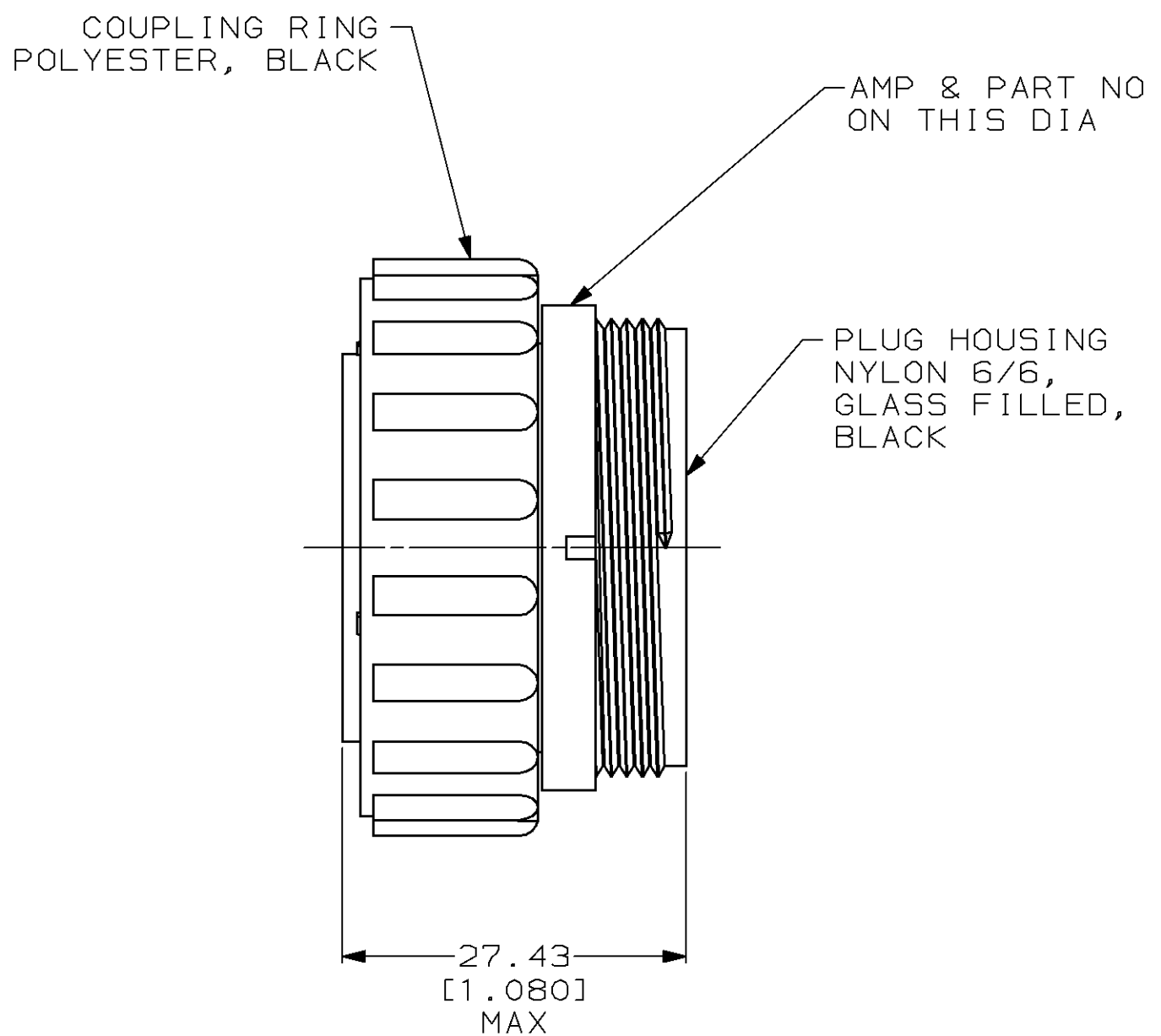
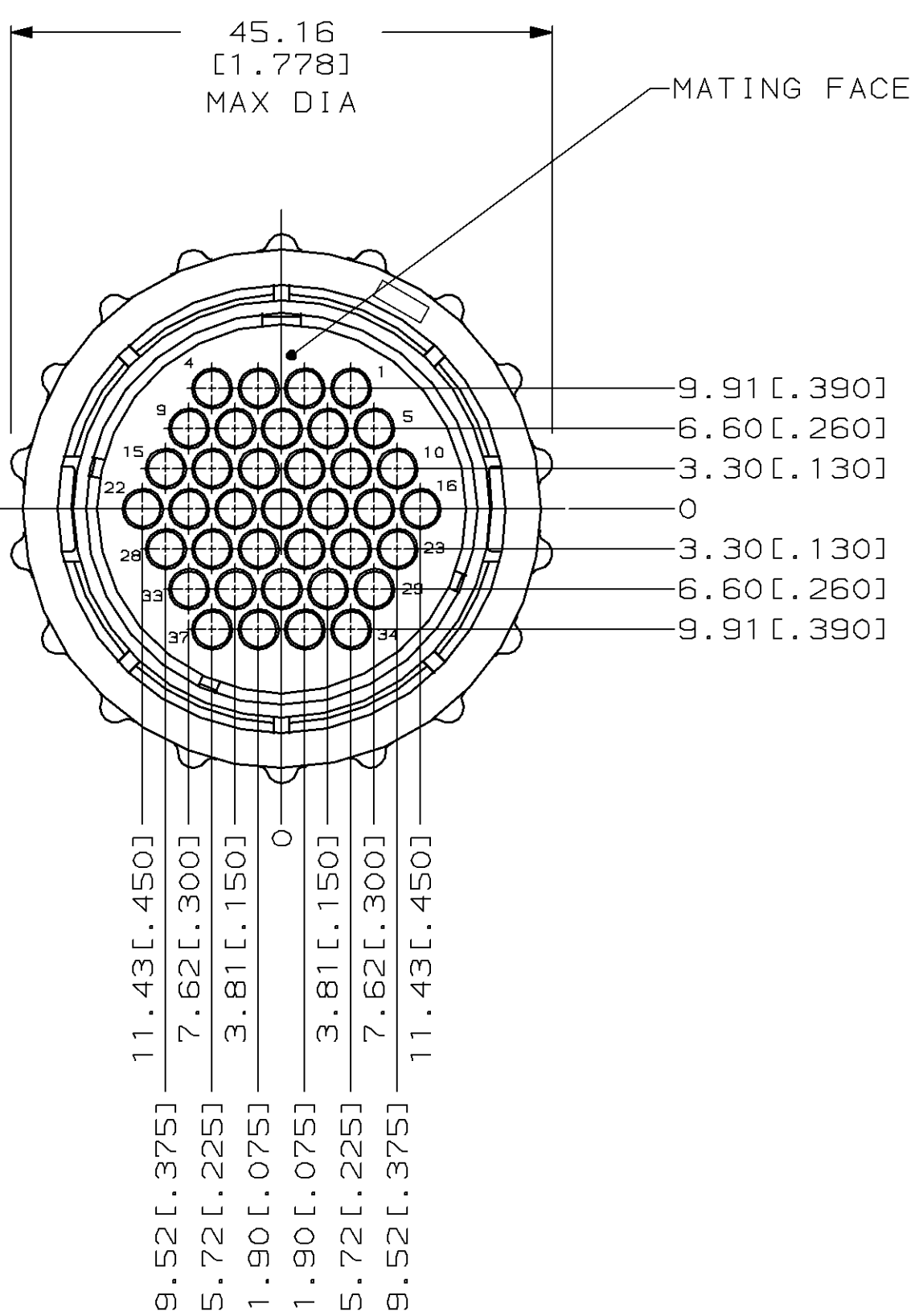
Tel: +86-755-8981 8866 Fax: +86-755-8427 6832

Email & Skype: info@chipsmall.com Web: www.chipsmall.com

Address: A1208, Overseas Decoration Building, #122 Zhenhua RD., Futian, Shenzhen, China



LOC	DIST	P	F	ZONE	LTR	DESCRIPTION	DATE	APPD
FT	4							
					O	RLSE PER NPR 5254 WAS 94-5029-020-01	01/03/95	AF
					A	REV PER EC 0020-68-95	02/07/95	AF
					B	REV PER EC 0020-738-95	17 JUL 95	RB
					C	REV PER EC 0320-7-97	16 JAN 97	KD



- CONTACT CAVITIES IDENTIFIED BY CHARACTERS ON FRONT AND REAR FACES OF CONNECTOR.
- THIS CONNECTOR WILL ACCEPT (37) MULTIMATE SOCKET CONTACTS.

213848-1
PART NUMBER

DO NOT SCALE PRINT. UNLESS SPECIFIED DIMENSIONS IN mm [INCHES] TOLERANCES ON : 2 PLC DEC ± 0.13 [0.005] 3 PLC DEC ± - ANGLES ± -	DR 01/03/95 K.FOLTZ CHK 01/09/95 R.STONE APPD 01/10/95 T.COULSON	AMP Incorporated Harrisburg, PA 17105-3608		
MATERIAL SEE CALLOUT	APPD 01/16/95 A.FRANTUM PRODUCT SPEC -			NAME PLUG ASSEMBLY, STANDARD SEX, SIZE 23, SERIES I, CPC
FINISH -	APPLICATION SPEC -	SIZE C	CAGE CODE 00779	DRAWING NO 213848
WEIGHT -		SCALE 2:1		SHEET 1 OF 1