



Chipsmall Limited consists of a professional team with an average of over 10 year of expertise in the distribution of electronic components. Based in Hongkong, we have already established firm and mutual-benefit business relationships with customers from,Europe,America and south Asia,supplying obsolete and hard-to-find components to meet their specific needs.

With the principle of “Quality Parts,Customers Priority,Honest Operation,and Considerate Service”,our business mainly focus on the distribution of electronic components. Line cards we deal with include Microchip,ALPS,ROHM,Xilinx,Pulse,ON,Everlight and Freescale. Main products comprise IC,Modules,Potentiometer,IC Socket,Relay,Connector.Our parts cover such applications as commercial,industrial, and automotives areas.

We are looking forward to setting up business relationship with you and hope to provide you with the best service and solution. Let us make a better world for our industry!



## Contact us

Tel: +86-755-8981 8866 Fax: +86-755-8427 6832

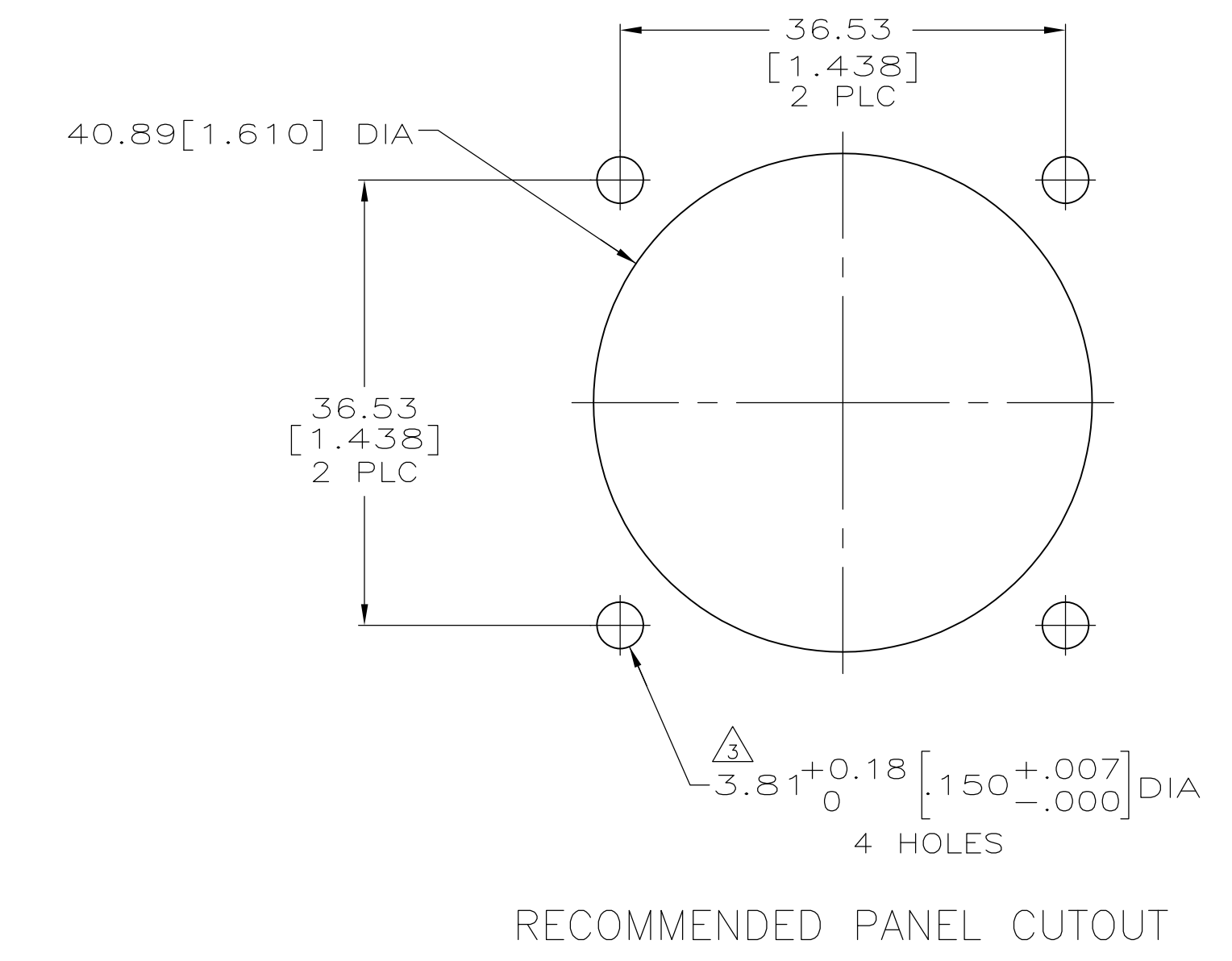
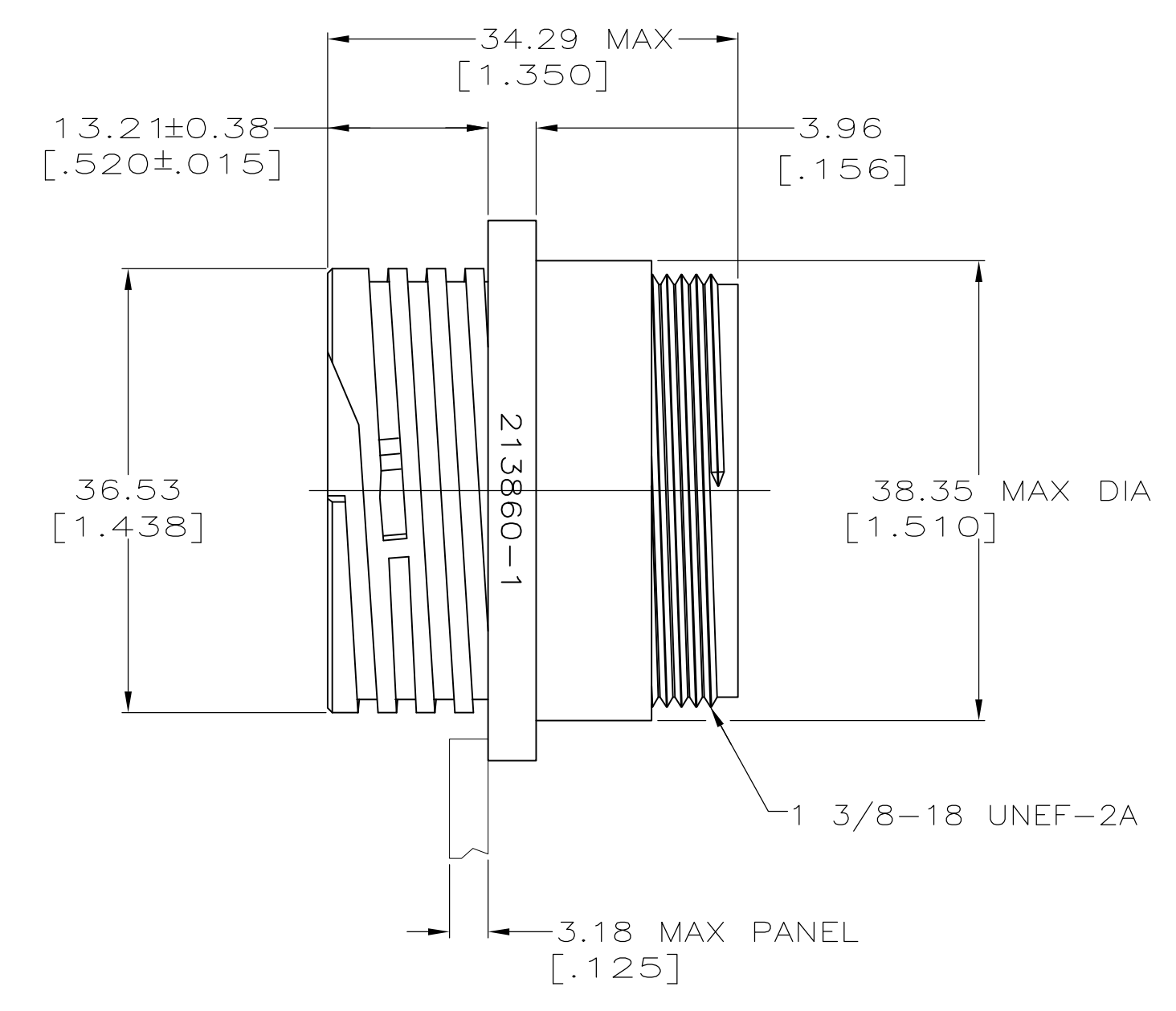
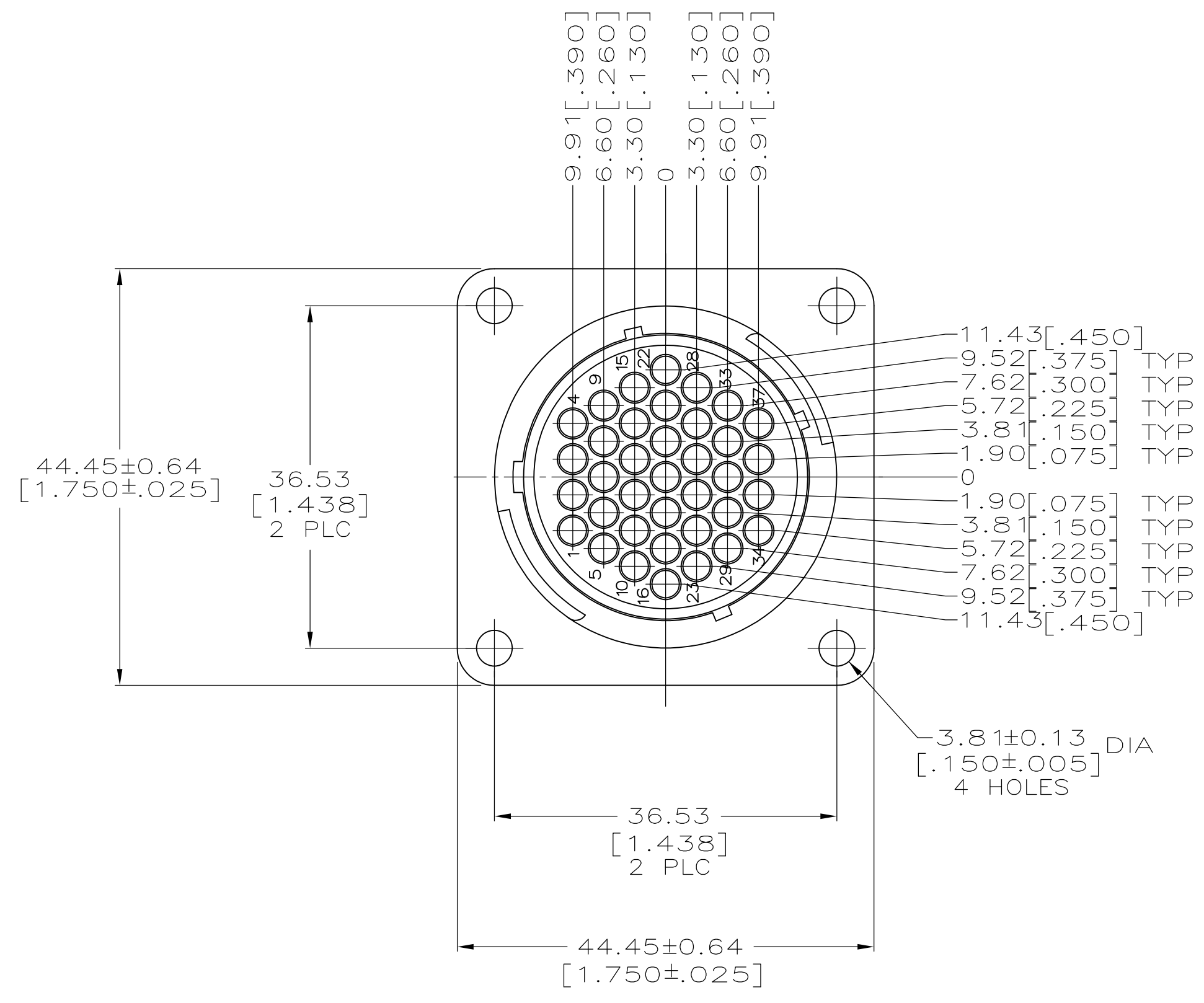
Email & Skype: info@chipsmall.com Web: www.chipsmall.com

Address: A1208, Overseas Decoration Building, #122 Zhenhua RD., Futian, Shenzhen, China



LOC		DIST		REVISIONS			
P	LTR	DESCRIPTION	DATE	DMN	APVD		
A		REVISED PER ECO-12-015521	28SEP12	KH	MZ		

- 1 CAVITY IDENTIFICATION ON FRONT AND REAR FACE.
- 2 WILL ACCEPT THIRTY-SEVEN (37) MULTIMATE PIN CONTACTS.
- 3 NO 4 FASTENER RECOMMENDED FOR MOUNTING.



213860-1  
PART NUMBER

THIS DRAWING IS A CONTROLLED DOCUMENT.		DIN	K.FOLTZ	12/20/94	TE Connectivity	
DIMENSIONS: mm[INCHES]		CHK	R.STONE	01/05/95		
TOLERANCES UNLESS OTHERWISE SPECIFIED:		APVD	T.COULSON	01/05/95	NAME	
0 PLC	± -	PRODUCT SPEC		RECEPTACLE HOUSING, STANDARD SEX, SIZE 23, CPC		
1 PLC	± -	APPLICATION SPEC		108-10024		
2 PLC	± 0.25 [.010]	MATERIAL		NYLON, BLACK		
3 PLC	± -	FINISH		-		
4 PLC	± -	WEIGHT		-		
ANGLES	± -	CUSTOMER DRAWING		SCALE 2:1 SHEET 1 OF 1 REV A		