



Chipsmall Limited consists of a professional team with an average of over 10 year of expertise in the distribution of electronic components. Based in Hongkong, we have already established firm and mutual-benefit business relationships with customers from,Europe,America and south Asia,supplying obsolete and hard-to-find components to meet their specific needs.

With the principle of “Quality Parts,Customers Priority,Honest Operation,and Considerate Service”,our business mainly focus on the distribution of electronic components. Line cards we deal with include Microchip,ALPS,ROHM,Xilinx,Pulse,ON,Everlight and Freescale. Main products comprise IC,Modules,Potentiometer,IC Socket,Relay,Connector.Our parts cover such applications as commercial,industrial, and automotives areas.

We are looking forward to setting up business relationship with you and hope to provide you with the best service and solution. Let us make a better world for our industry!



## Contact us

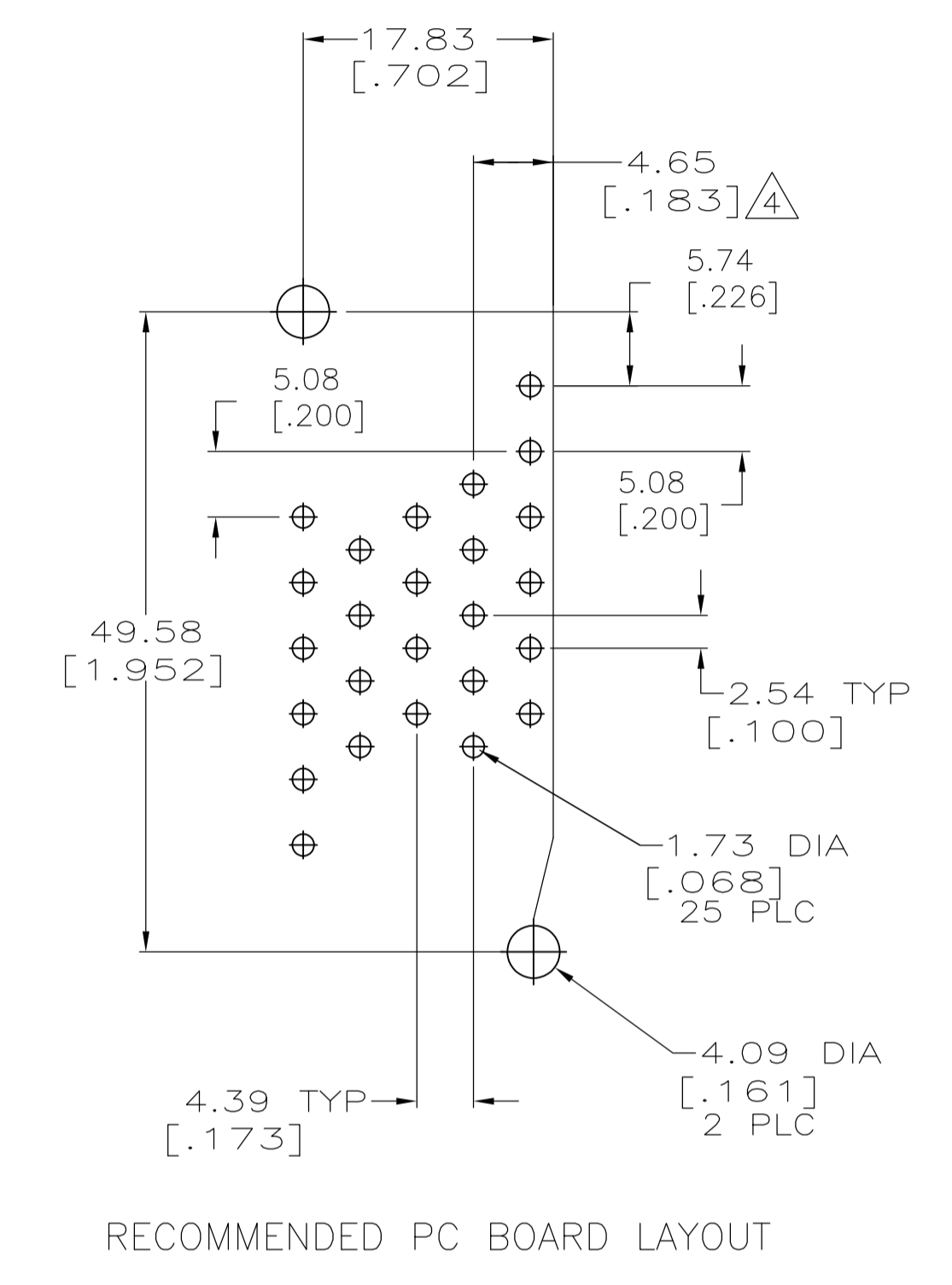
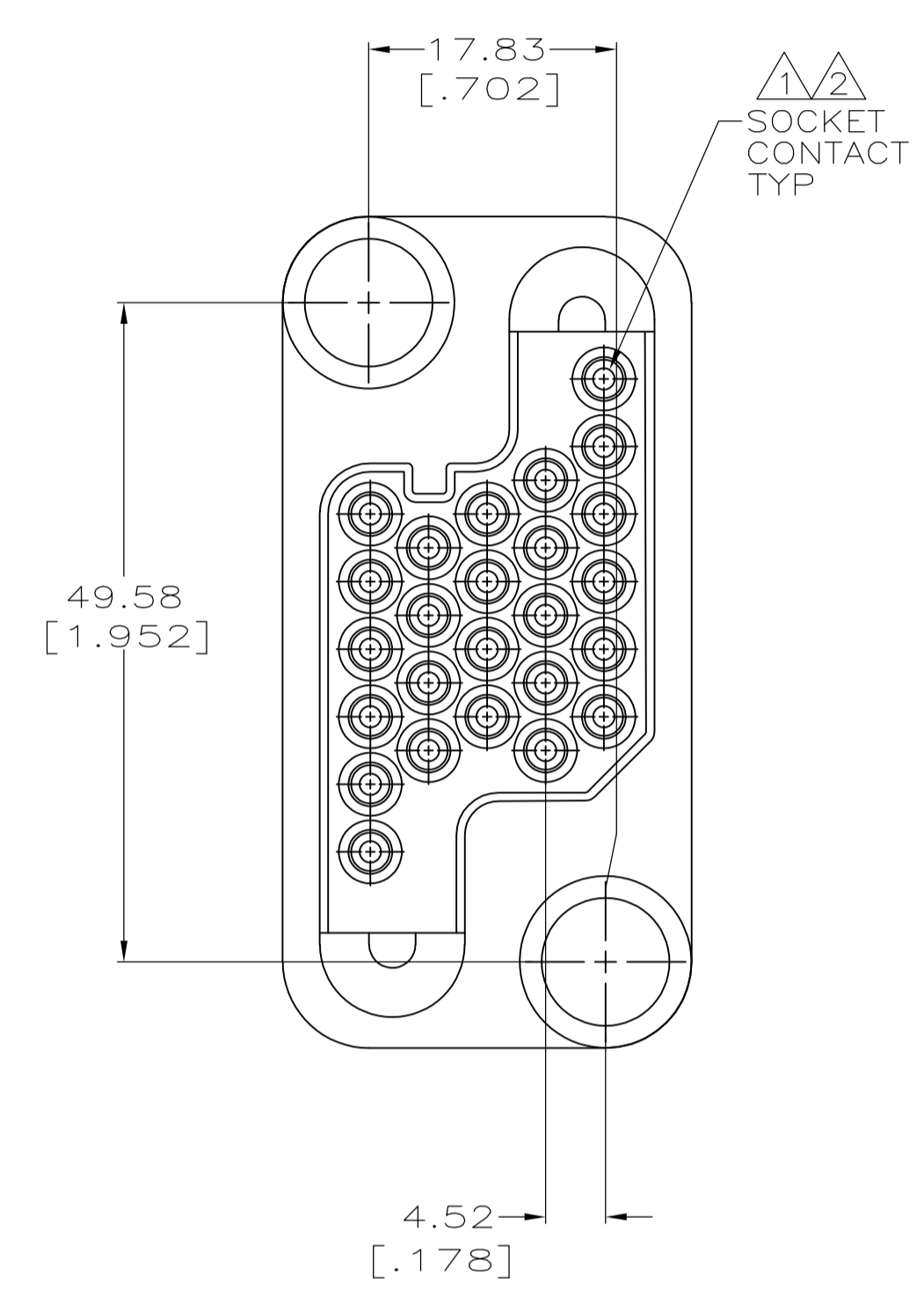
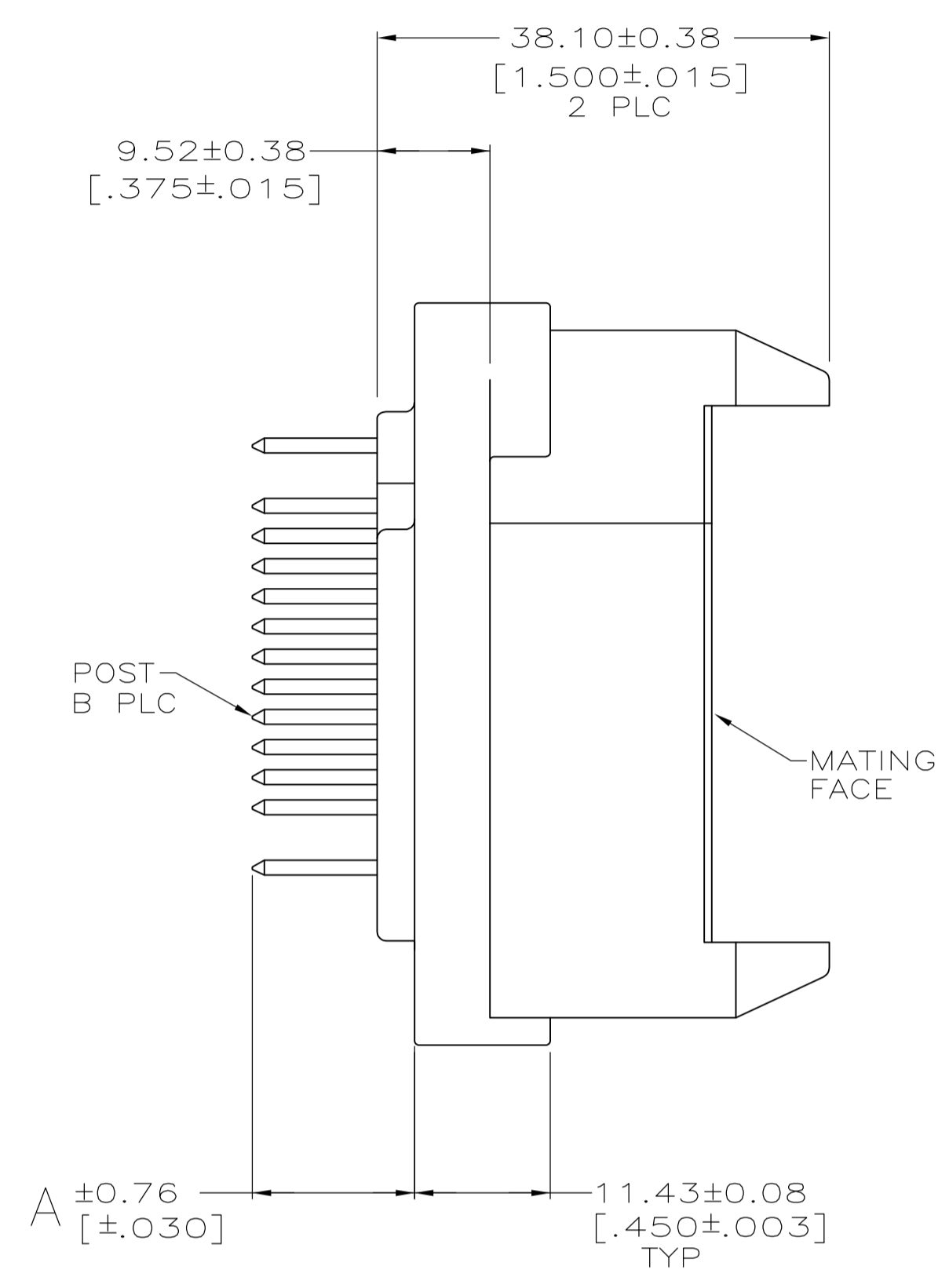
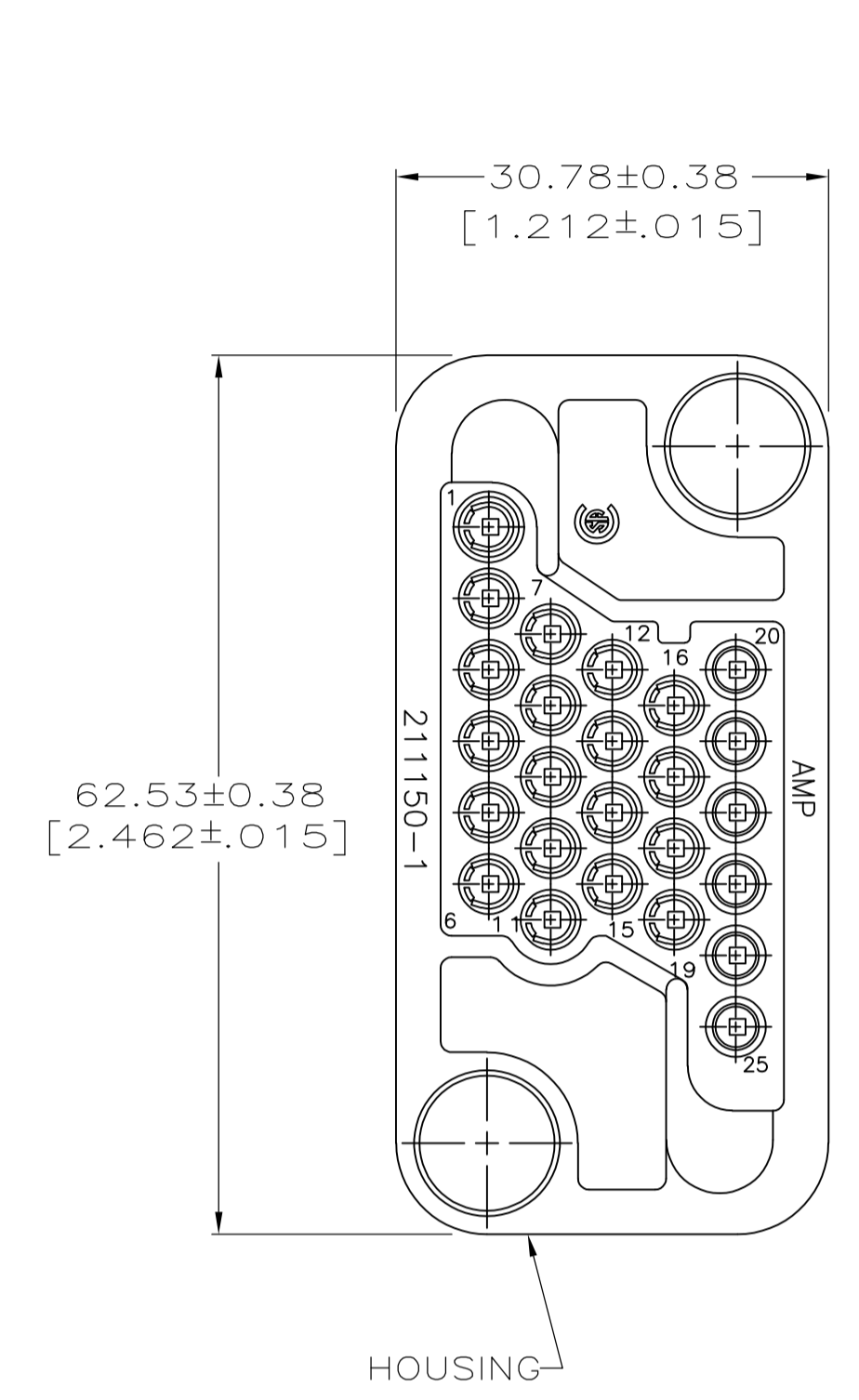
Tel: +86-755-8981 8866 Fax: +86-755-8427 6832

Email & Skype: info@chipsmall.com Web: www.chipsmall.com

Address: A1208, Overseas Decoration Building, #122 Zhenhua RD., Futian, Shenzhen, China



LOC		DIST		REVISIONS			
P	LTR	DESCRIPTION	DATE	DNW	APVD		
B		REVISED PER 063B-0230-05	4/28/05	SS	GS		
B1		REVISED PER ECO-09-022424	27AUG09	KK	AEG		



- ⚠ ALL POSITIONS LOADED WITH POSTED SOCKET CONTACTS EXCEPT 4,13,17,21, & 25.
- ⚠ SOCKET CONTACT: 0.76um[.000030] MIN GOLD FOR A LENGTH OF 5.08[.200] MIN FROM MATING END, GOLD FLASH ON THE REMAINDER, BOTH OVER 1.27um[.000050] MIN NICKEL ON SOCKET END. POST: 2.54um[.000100] MIN TIN-LEAD OVER 2.54um[.000100] MIN COPPER.
- 3. CONTACT ASSEMBLY SHOULD BE FULLY SEATED IN HOUSING PRIOR TO SOLDERING TO PRINTED CIRCUIT BOARD.
- ⚠ THIS DIMENSION HAS BEEN CHANGED FROM THE STANDARD MOUNTING DIMENSION BY 0.13[.005] DUE TO THE POSTED CONTACT.
- ⚠ HOUSING: POLYESTER, BLACK.  
SOCKET CONTACT: BRASS.  
SPRING: STAINLESS STEEL.  
POST: BRASS.
- ⚠ SOCKET CONTACT: 0.76um[.000030] MIN GOLD FOR A LENGTH OF 5.08[.200] MIN FROM MATING END, GOLD FLASH ON THE REMAINDER, BOTH OVER 1.27um[.000050] MIN NICKEL ON SOCKET END. POST: 2.54um[.000100] MIN TIN OVER 2.54um[.000100] MIN COPPER.
- ⚠ OBSOLETE PARTS: OBSOLETE CIS STREAMLINING PER D.RENAUD/D.SINISI

OBsolete	⚠	⚠ (20)	20	13.18 [.519]	213881-4
	⚠	FULLY (25)	25	9.40 [.370]	213881-3
⚠ OBsolete	⚠	⚠ (20)	20	13.18 [.519]	213881-2
	⚠	FULLY (25)	25	9.40 [.370]	213881-1
FINISH		CAVITIES LOADED	B	A	PART NUMBER

THIS DRAWING IS A CONTROLLED DOCUMENT.

DIMENSIONS: mm [INCHES]	TOLERANCES UNLESS OTHERWISE SPECIFIED:	0 PLC ± -	1 PLC ± -	2 PLC ± 0.13 [.005]	3 PLC ± -	4 PLC ± -	ANGLES ± -
MATERIAL		FINISH		WEIGHT		RESTRICTED TO	
-		-		A1 00779		C=213881	
CUSTOMER DRAWING		SCALE 2:1		SHEET 1 OF 1		REV B1	

THIS DRAWING IS A CONTROLLED DOCUMENT. C. OBERMAN 5-30-95 R. STONE 5-30-95 M. McALONIS 5-30-95

Tyco Electronics Corporation Harrisburg, Pa 17105-3608

NAME: PLUG ASSEMBLY, 25 POSITION, DRAWER CONNECTOR, METRIMATE

SIZE: A1 CAGE CODE: 00779 DRAWING NO: 213881