



Chipsmall Limited consists of a professional team with an average of over 10 year of expertise in the distribution of electronic components. Based in Hongkong, we have already established firm and mutual-benefit business relationships with customers from,Europe,America and south Asia,supplying obsolete and hard-to-find components to meet their specific needs.

With the principle of “Quality Parts,Customers Priority,Honest Operation,and Considerate Service”,our business mainly focus on the distribution of electronic components. Line cards we deal with include Microchip,ALPS,ROHM,Xilinx,Pulse,ON,Everlight and Freescale. Main products comprise IC,Modules,Potentiometer,IC Socket,Relay,Connector.Our parts cover such applications as commercial,industrial, and automotives areas.

We are looking forward to setting up business relationship with you and hope to provide you with the best service and solution. Let us make a better world for our industry!



Contact us

Tel: +86-755-8981 8866 Fax: +86-755-8427 6832

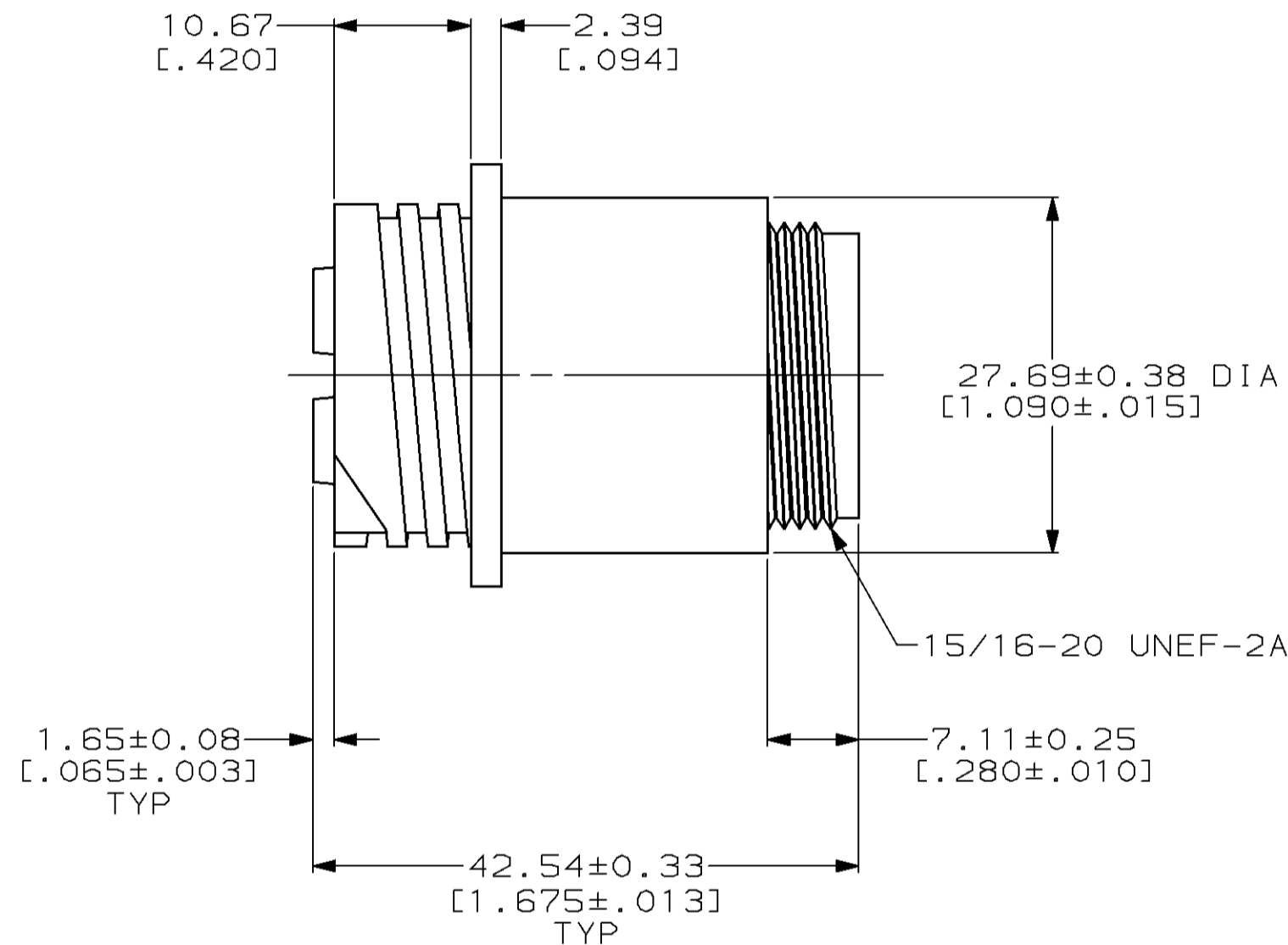
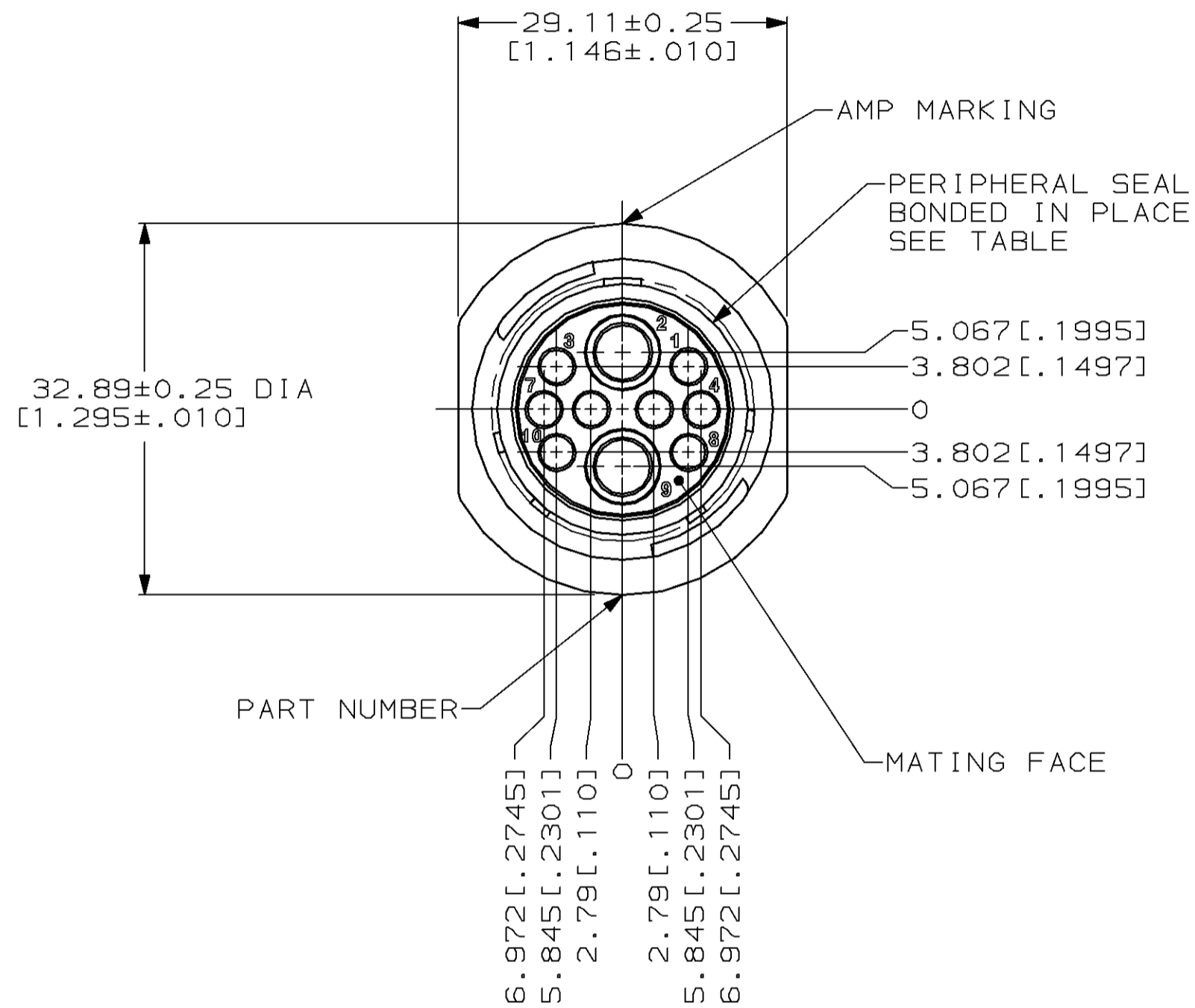
Email & Skype: info@chipsmall.com Web: www.chipsmall.com

Address: A1208, Overseas Decoration Building, #122 Zhenhua RD., Futian, Shenzhen, China



THIS DRAWING IS UNPUBLISHED. RELEASED FOR PUBLICATION
 BY AMP INCORPORATED. ALL RIGHTS RESERVED.

LOC	DIST	REVISIONS					
		P	LTR	DESCRIPTION	DATE	DWN	APVD
BD	35			RELEASED -1 PER NPR 5370, WAS 95-7970-20	06/27/95	-	-
		A		ADDED -2 AND REVISED PER EC 0020-900-95	15 SEP 95	DH	AF
		B		REV PER EC 0020-463-96	16 MAY 96	CR	AF



YES	213894-2
NO	213894-1
PERIPHERAL SEAL	PART NUMBER

THIS DRAWING IS A CONTROLLED DOCUMENT FOR AMP INCORPORATED. IT IS SUBJECT TO CHANGE AND THE CONTROLLING ENGINEERING ORGANIZATION SHOULD BE CONTACTED FOR THE LATEST REVISION.		DWN D.HARDY 06/27/95	AMP Incorporated Harrisburg, PA 17105-3608
DIMENSIONS: mm [INCHES]		CHK R.STONE 06/29/95	
TOLERANCES UNLESS OTHERWISE SPECIFIED:		APVD A.FRANTUM 06/29/95	NAME RECEPTACLE HOUSING, REVERSE SEX, SERIES 6, 17-10, CIRCULAR PLASTIC CONNECTOR
0 PLC ±-		PRODUCT SPEC 108-1579	SIZE A2
1 PLC ±-		APPLICATION SPEC	CAGE CODE 00779
2 PLC ±0.13 [.005]			DRAWING NO C-213894
3 PLC ±0.013 [.0005]			SCALE 2:1
4 PLC ±-			SHEET 1 OF 1
ANGLES ±-			REV B
FINISH -		MATERIAL NYLON, BLACK	CUSTOMER DRAWING

213894