



Chipsmall Limited consists of a professional team with an average of over 10 year of expertise in the distribution of electronic components. Based in Hongkong, we have already established firm and mutual-benefit business relationships with customers from,Europe,America and south Asia,supplying obsolete and hard-to-find components to meet their specific needs.

With the principle of “Quality Parts,Customers Priority,Honest Operation,and Considerate Service”,our business mainly focus on the distribution of electronic components. Line cards we deal with include Microchip,ALPS,ROHM,Xilinx,Pulse,ON,Everlight and Freescale. Main products comprise IC,Modules,Potentiometer,IC Socket,Relay,Connector.Our parts cover such applications as commercial,industrial, and automotives areas.

We are looking forward to setting up business relationship with you and hope to provide you with the best service and solution. Let us make a better world for our industry!



Contact us

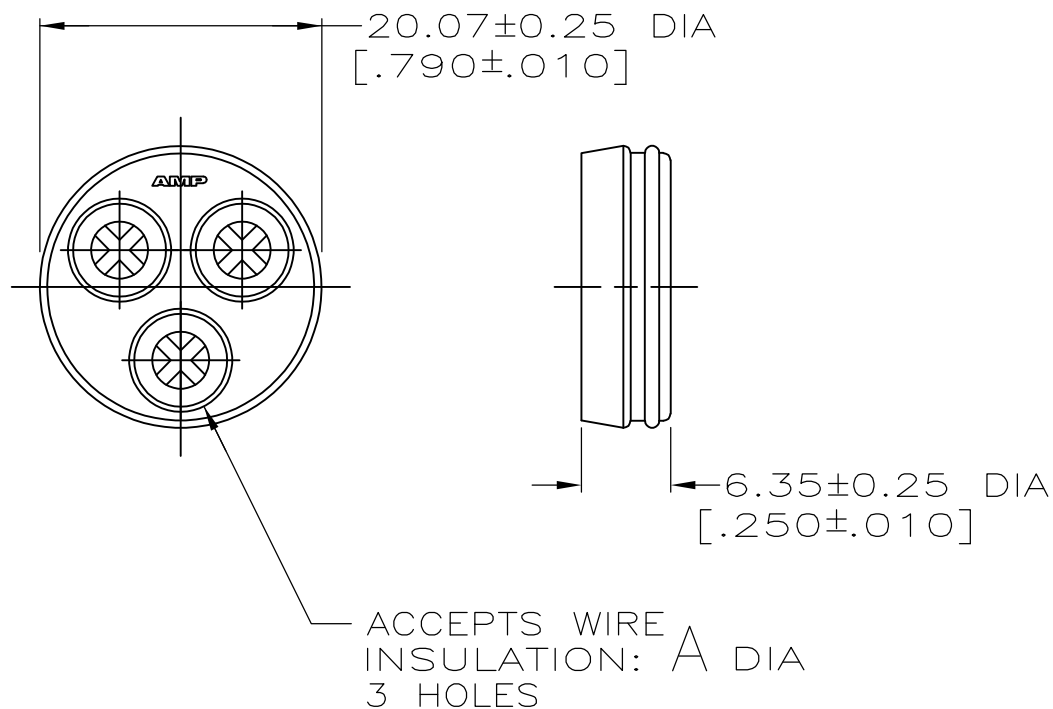
Tel: +86-755-8981 8866 Fax: +86-755-8427 6832

Email & Skype: info@chipsmall.com Web: www.chipsmall.com

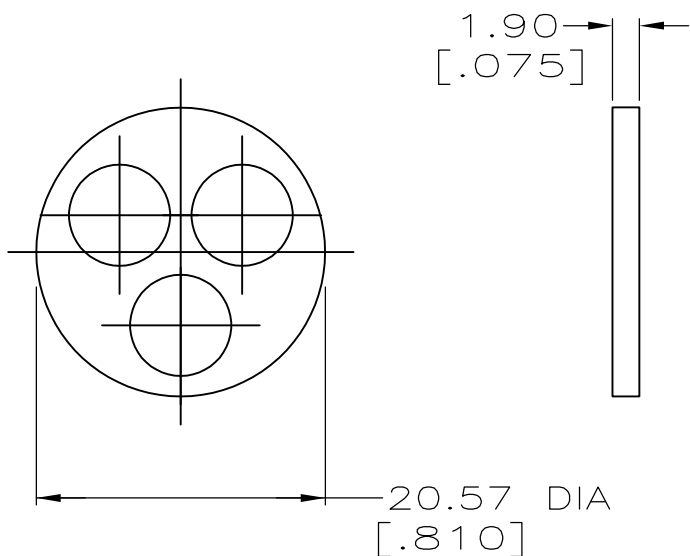
Address: A1208, Overseas Decoration Building, #122 Zhenhua RD., Futian, Shenzhen, China



P	LTR	DESCRIPTION	DATE	DWN	APVD
0		RLSE -1 THRU -4 PER NPR 5375, WAS 95-7970-27	07/12/95	-	-
A		OBSOLETE -3,-4 AND REVISED PER EC 0020-900-95	15 SEP 95	DH	AF
B		REV PER EC 0320-144-97	05 MAY 97	CO	AF
C		ADDED -5 PER EC 0320-152-97	08 MAY 97	CO	AF
C1		REVISED PER ECO-09-020689	27AUG09	KK	AEG



SEAL MATERIAL: SILICON, RED IRON OXIDE
QTY=1



PRESSURE PLATE MATERIAL: NYLON, BLACK
QTY=1

1 OBSOLETE PARTS: OBSOLETE CIS STREAMLINING PER D.RENAUD/D.SINISI

1 OBSOLETE	INDIVIDUAL	2.41-5.21 [.095-.205]	213899-5
OBSOLETE	-	-	213899-4
OBSOLETE	-	-	213899-3
	BULK	3.81-6.73 [.150-.265]	213899-2
	INDIVIDUAL	3.81-6.73 [.150-.265]	213899-1
	PACKAGING	A	PART NUMBER

THIS DRAWING IS A CONTROLLED DOCUMENT FOR AMP INCORPORATED. IT IS SUBJECT TO CHANGE AND THE CONTROLLING ENGINEERING ORGANIZATION SHOULD BE CONTACTED FOR THE LATEST REVISION.		DWN D.HARDY 07/12/95	AMP AMP Incorporated Harrisburg, PA 17105-3608
DIMENSIONS: mm [INCHES]		CHK R.STONE 07/13/95	
TOLERANCES UNLESS OTHERWISE SPECIFIED: 0 PLC ±- 1 PLC ±- 2 PLC ±0.13 [.005] 3 PLC ±- 4 PLC ±- ANGLES ±- ±-		APVD A.FRANTUM 07/13/95	NAME
MATERIAL SEE CALLOUTS		PRODUCT SPEC 108-1579	SEAL ASSEMBLY KIT, SERIES 5, 17-3, CPC
		APPLICATION SPEC -	SIZE A3
		WEIGHT -	CAGE CODE 00779
		CUSTOMER DRAWING	DRAWING NO C-213899
			SCALE 2:1
			SHEET 1 OF 1
			REV C1