



Chipsmall Limited consists of a professional team with an average of over 10 year of expertise in the distribution of electronic components. Based in Hongkong, we have already established firm and mutual-benefit business relationships with customers from,Europe,America and south Asia,supplying obsolete and hard-to-find components to meet their specific needs.

With the principle of “Quality Parts,Customers Priority,Honest Operation,and Considerate Service”,our business mainly focus on the distribution of electronic components. Line cards we deal with include Microchip,ALPS,ROHM,Xilinx,Pulse,ON,Everlight and Freescale. Main products comprise IC,Modules,Potentiometer,IC Socket,Relay,Connector.Our parts cover such applications as commercial,industrial, and automotives areas.

We are looking forward to setting up business relationship with you and hope to provide you with the best service and solution. Let us make a better world for our industry!



## Contact us

Tel: +86-755-8981 8866 Fax: +86-755-8427 6832

Email & Skype: info@chipsmall.com Web: www.chipsmall.com

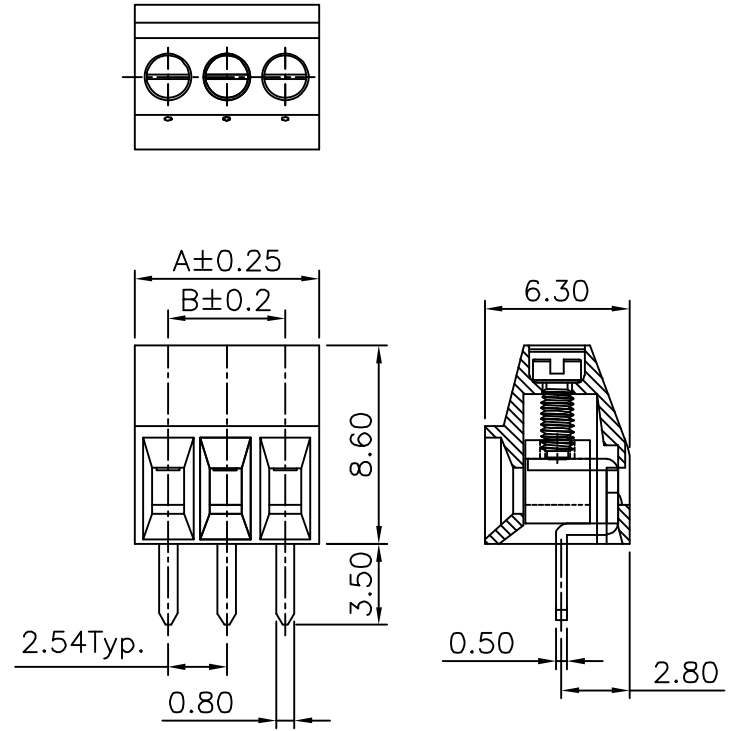
Address: A1208, Overseas Decoration Building, #122 Zhenhua RD., Futian, Shenzhen, China



RoHS Compliant

Specifications:  
 Rating:  
 Current Rating: 5.0 Amp  
 Voltage Rating: 300V AC/DC  
 Operating Temperature Range: -40°~+105°C

Electrical:  
 Contact resistance: 20m Ohm Max  
 Insulator resistance: 5000M ohm min.  
 Withstanding Voltage: 1500V AC/Minute



PART NO :	Dim A	Dim B
KF120-3P	8.0	5.08
KF120-4P	10.54	7.62
KF120-6P	15.62	12.7
KF120-8P	20.70	17.78
KF120-9P	23.24	20.32

No.	Name	Material
①	Body	Nylon 66 UL94V-0 Color:Green
②	Screw	Steel, Zinc Plated.
③	Pin	Brass With Tin Plated
④	Shrapnel	Phosphor Bronze With Tin Plated

A5				
A4				
A3				
A2				
A1	ORIGINAL	Tom Liu	Jul-12-2013	
REV.	ECN. NO.	DR.BY	DATE	

DR.BY.:  
**Tom Liu**

CHKD.:  
**Jack Wu**

APPD.:  
**Kane He**

TITLE :  
Terminal Block

PART NO : KF120-XP

DWG. NO.: CXKF130712-056

DATE: Jul-12-2013

GENERAL TOLERANCE:	
LINEAR	ANGLES
X.: $\pm 0.30$	X': $\pm 5.0^\circ$
X.X: $\pm 0.20$	X.X': $\pm 3.0^\circ$
X.XX: $\pm 0.15$	X.XX': $\pm 2.0^\circ$
X.XXX: $\pm 0.10$	X.XXX': $\pm 1.0^\circ$



UNIT: mm    SCALE: 1:1    SHEET: 1/1

THIRD ANGLE PROJECTION

A4