



Chipsmall Limited consists of a professional team with an average of over 10 year of expertise in the distribution of electronic components. Based in Hongkong, we have already established firm and mutual-benefit business relationships with customers from,Europe,America and south Asia,supplying obsolete and hard-to-find components to meet their specific needs.

With the principle of “Quality Parts,Customers Priority,Honest Operation,and Considerate Service”,our business mainly focus on the distribution of electronic components. Line cards we deal with include Microchip,ALPS,ROHM,Xilinx,Pulse,ON,Everlight and Freescale. Main products comprise IC,Modules,Potentiometer,IC Socket,Relay,Connector.Our parts cover such applications as commercial,industrial, and automotives areas.

We are looking forward to setting up business relationship with you and hope to provide you with the best service and solution. Let us make a better world for our industry!



Contact us

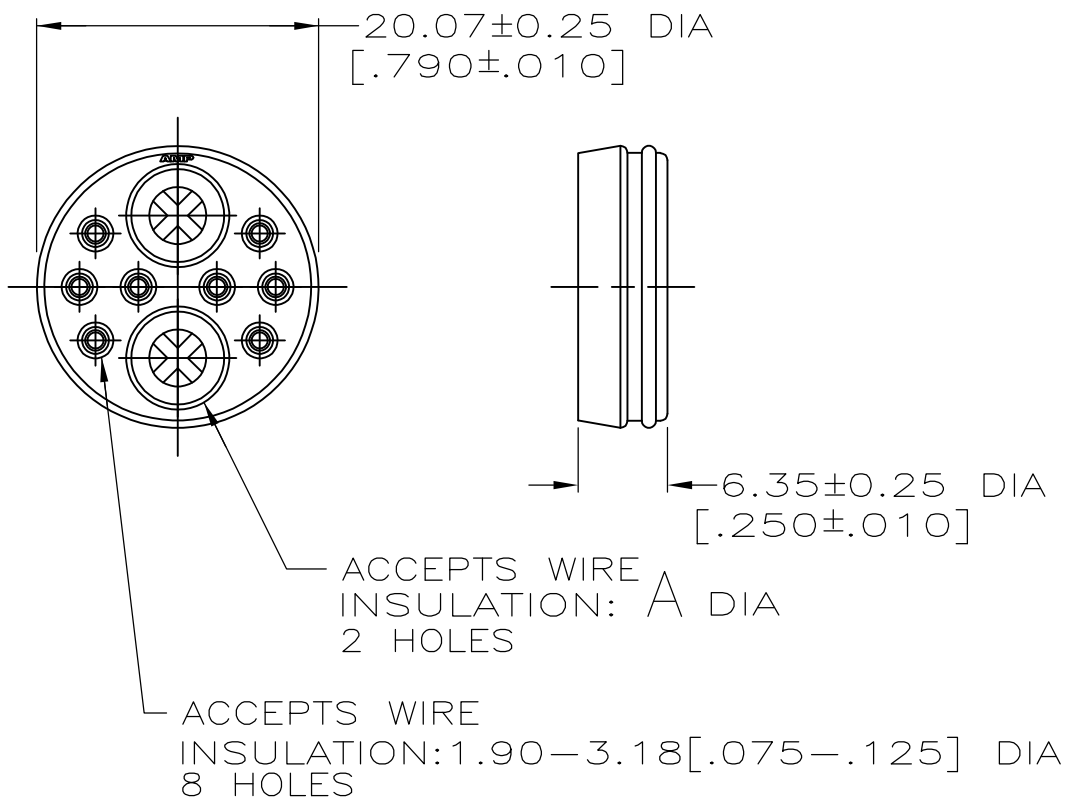
Tel: +86-755-8981 8866 Fax: +86-755-8427 6832

Email & Skype: info@chipsmall.com Web: www.chipsmall.com

Address: A1208, Overseas Decoration Building, #122 Zhenhua RD., Futian, Shenzhen, China

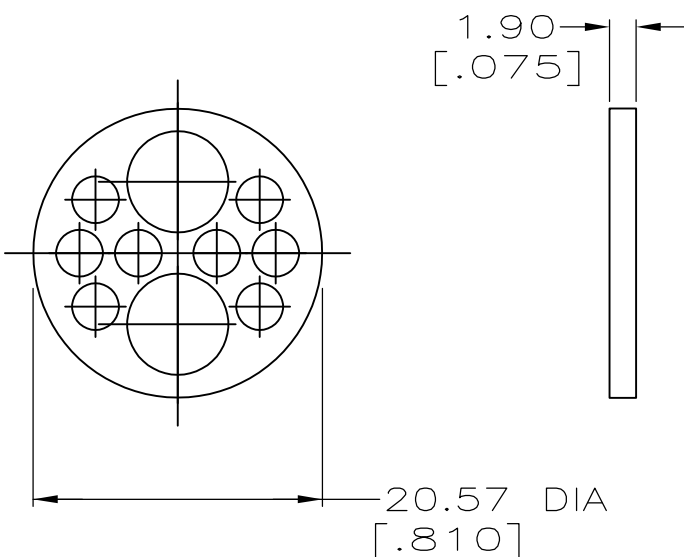


P	LTR	DESCRIPTION	DATE	DWN	APVD
0		RLSE -1 THRU -4 PER NPR 5375, WAS 95-7970-28	07/12/95	-	-
A		OBSOLETE -3,-4 AND REVISED PER EC 0020-900-95	15 SEP 95	DH	AF
B		REV PER EC 0320-144-97	05 MAY 97	CO	AF
C		ADDED -5 PER EC 0320-152-97	08 MAY 97	CO	AF
C1		REVISED PER ECO-09-020689	27AUG09	KK	AEG



1 OBSOLETE PARTS: OBSOLETE CIS STREAMLINING PER D.RENAUD/D.SINISI

SEAL MATERIAL: SILICON, RED IRON OXIDE QTY=1



PRESSURE PLATE MATERIAL: NYLON, BLACK QTY=1

1 OBSOLETE	INDIVIDUAL	2.41-5.21 [.095-.205]	213900-5
OBSOLETE	-	-	213900-4
OBSOLETE	-	-	213900-3
	BULK	3.81-6.73 [.150-.265]	213900-2
	INDIVIDUAL	3.81-6.73 [.150-.265]	213900-1
	PACKAGING	A	PART NUMBER

DIMENSIONS:		TOLERANCES UNLESS OTHERWISE SPECIFIED:		DWN		AMP Incorporated	
mm [INCHES]		0 PLC ±-		D.HARDY 07/12/95		Harrisburg, PA 17105-3608	
		1 PLC ±-		CHK R.STONE 07/13/95		AMP SEAL ASSEMBLY KIT, SERIES 6, 17-10, CPC	
		2 PLC ±0.13 [.005]		APVD A.FRANTUM 07/13/95			
		3 PLC ±-		PRODUCT SPEC		NAME	
		4 PLC ±-		108-1579		SIZE	
		ANGLES ±-		APPLICATION SPEC		CAGE CODE	
		FINISH -		-		DRAWING NO	
MATERIAL SEE CALLOUTS				WEIGHT -		A3 00779 C-213900	
				CUSTOMER DRAWING		SCALE 2:1 SHEET 1 OF 1 REV C1	