



Chipsmall Limited consists of a professional team with an average of over 10 year of expertise in the distribution of electronic components. Based in Hongkong, we have already established firm and mutual-benefit business relationships with customers from,Europe,America and south Asia,supplying obsolete and hard-to-find components to meet their specific needs.

With the principle of "Quality Parts,Customers Priority,Honest Operation,and Considerate Service",our business mainly focus on the distribution of electronic components. Line cards we deal with include Microchip,ALPS,ROHM,Xilinx,Pulse,ON,Everlight and Freescale. Main products comprise IC,Modules,Potentiometer,IC Socket,Relay,Connector.Our parts cover such applications as commercial,industrial, and automotives areas.

We are looking forward to setting up business relationship with you and hope to provide you with the best service and solution. Let us make a better world for our industry!



Contact us

Tel: +86-755-8981 8866 Fax: +86-755-8427 6832

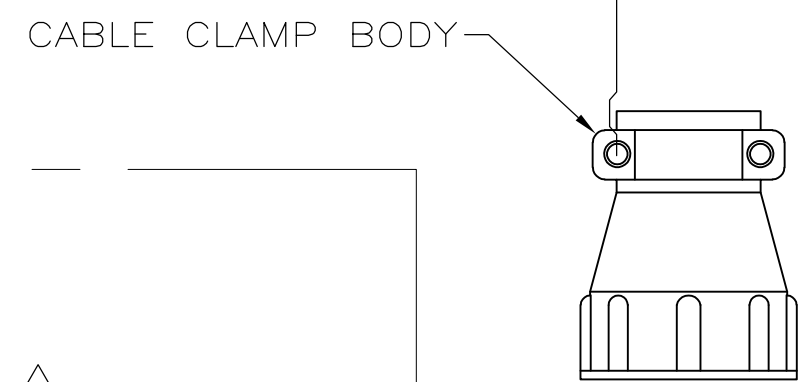
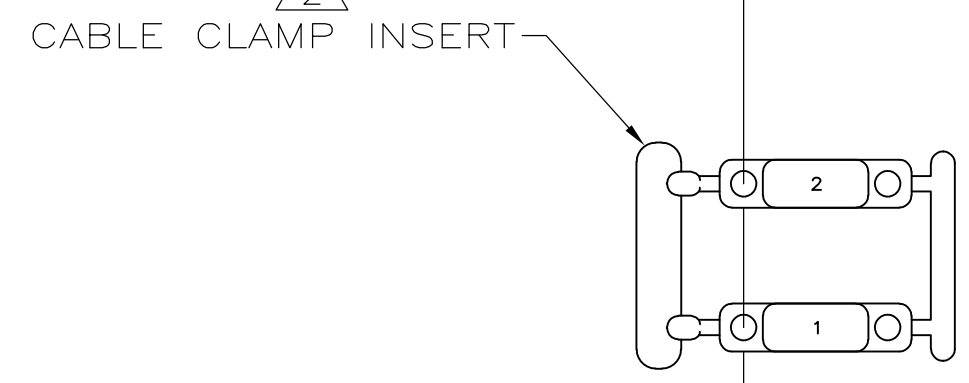
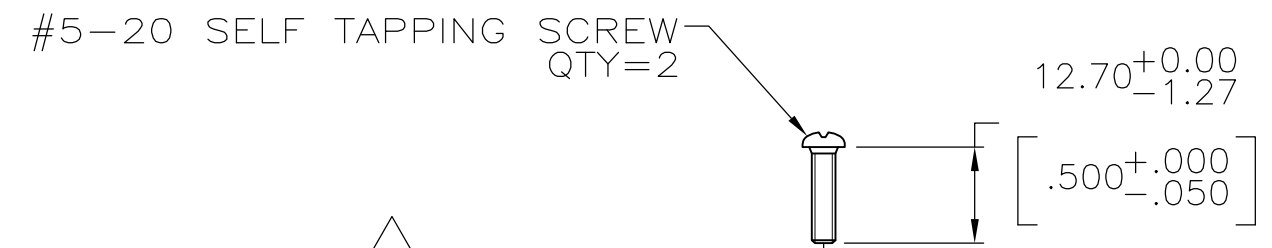
Email & Skype: info@chipsmall.com Web: www.chipsmall.com

Address: A1208, Overseas Decoration Building, #122 Zhenhua RD., Futian, Shenzhen, China

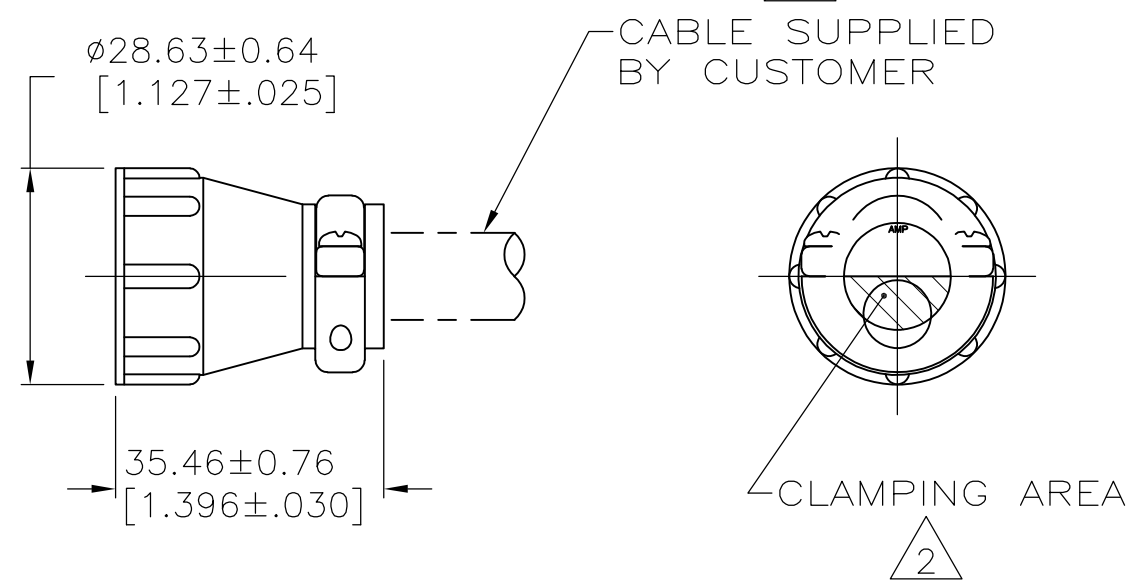


THIS DRAWING IS UNPUBLISHED. RELEASED FOR PUBLICATION
 © COPYRIGHT - By - ALL RIGHTS RESERVED.

LOC	DIST	REVISIONS					
FT	0	P	LTR	DESCRIPTION	DATE	DWN	APVD
			A2	REVISED PER ECO-11-004917	11MAR11	RK	HMR



- 1 CABLE CLAMP BODY AND INSERTS: NYLON, BLACK. SCREWS: CARBON STEEL.
- 2 CABLE CLAMPING AREA ADJUSTABLE FROM 0.25 [.010] TO 4.09 [.161] SQ AREA BY REVERSING OR CHANGING CLAMPING INSERTS.
- 3 11.51 [.453] MAXIMUM CABLE OUTSIDE DIAMETER.
- 4 SCREWS: ZINC PLATE, NON-HEXAVALENT COATING.
- 5 OBSOLETE PARTS: OBSOLETE CIS STREAMLINING PER D.RENAUD/D.SINISI



4	BULK	213904-4
4	INDIVIDUAL	213904-3
4	BULK	213904-2
4	INDIVIDUAL	213904-1
4	SCREW FINISH	PART NUMBER
5	SUPERSEDED	

THIS DRAWING IS A CONTROLLED DOCUMENT.		DWN	D.HARDY	07/12/95	STE TE Connectivity			
DIMENSIONS: mm [INCHES]		CHK	R.STONE	07/13/95				
TOLERANCES UNLESS OTHERWISE SPECIFIED:		APVD	A.FRANTUM	07/14/95	NAME			
0 PLC ± -		PRODUCT SPEC		CABLE CLAMP KIT, STANDARD, UNASSEMBLED, SIZE 17, CPC				
1 PLC ± -		108-1579		SIZE		CAGE CODE	DRAWING NO	RESTRICTED TO
2 PLC ± -		APPLICATION SPEC		A3		00779	C-213904	-
3 PLC ± -		MATERIAL		WEIGHT		SCALE		SHEET
4 PLC ± -		1		-		1:1		1 OF 1
ANGLES ± -		FINISH		CUSTOMER DRAWING		REV		A2