



Chipsmall Limited consists of a professional team with an average of over 10 year of expertise in the distribution of electronic components. Based in Hongkong, we have already established firm and mutual-benefit business relationships with customers from,Europe,America and south Asia,supplying obsolete and hard-to-find components to meet their specific needs.

With the principle of “Quality Parts,Customers Priority,Honest Operation,and Considerate Service”,our business mainly focus on the distribution of electronic components. Line cards we deal with include Microchip,ALPS,ROHM,Xilinx,Pulse,ON,Everlight and Freescale. Main products comprise IC,Modules,Potentiometer,IC Socket,Relay,Connector.Our parts cover such applications as commercial,industrial, and automotives areas.

We are looking forward to setting up business relationship with you and hope to provide you with the best service and solution. Let us make a better world for our industry!



Contact us

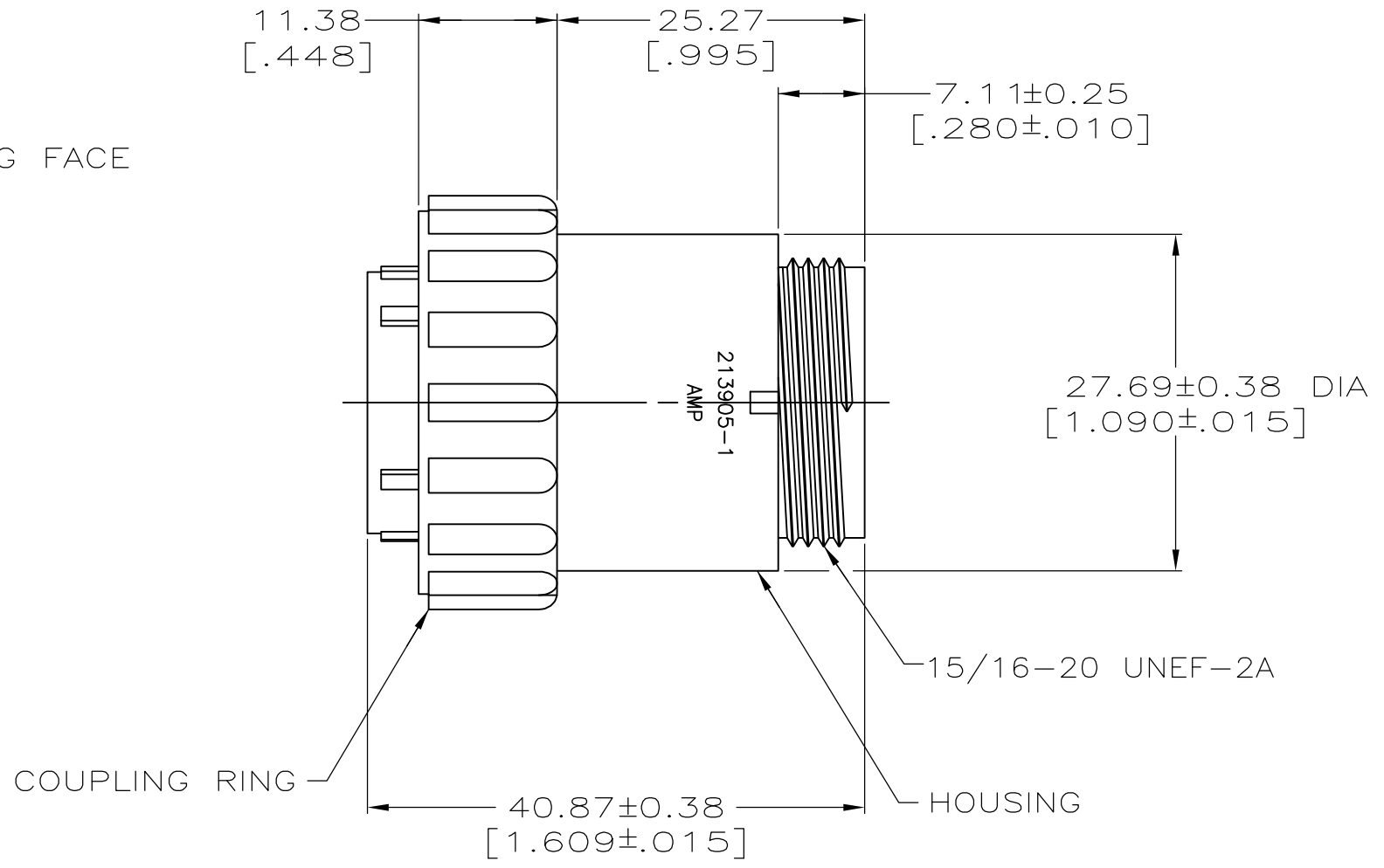
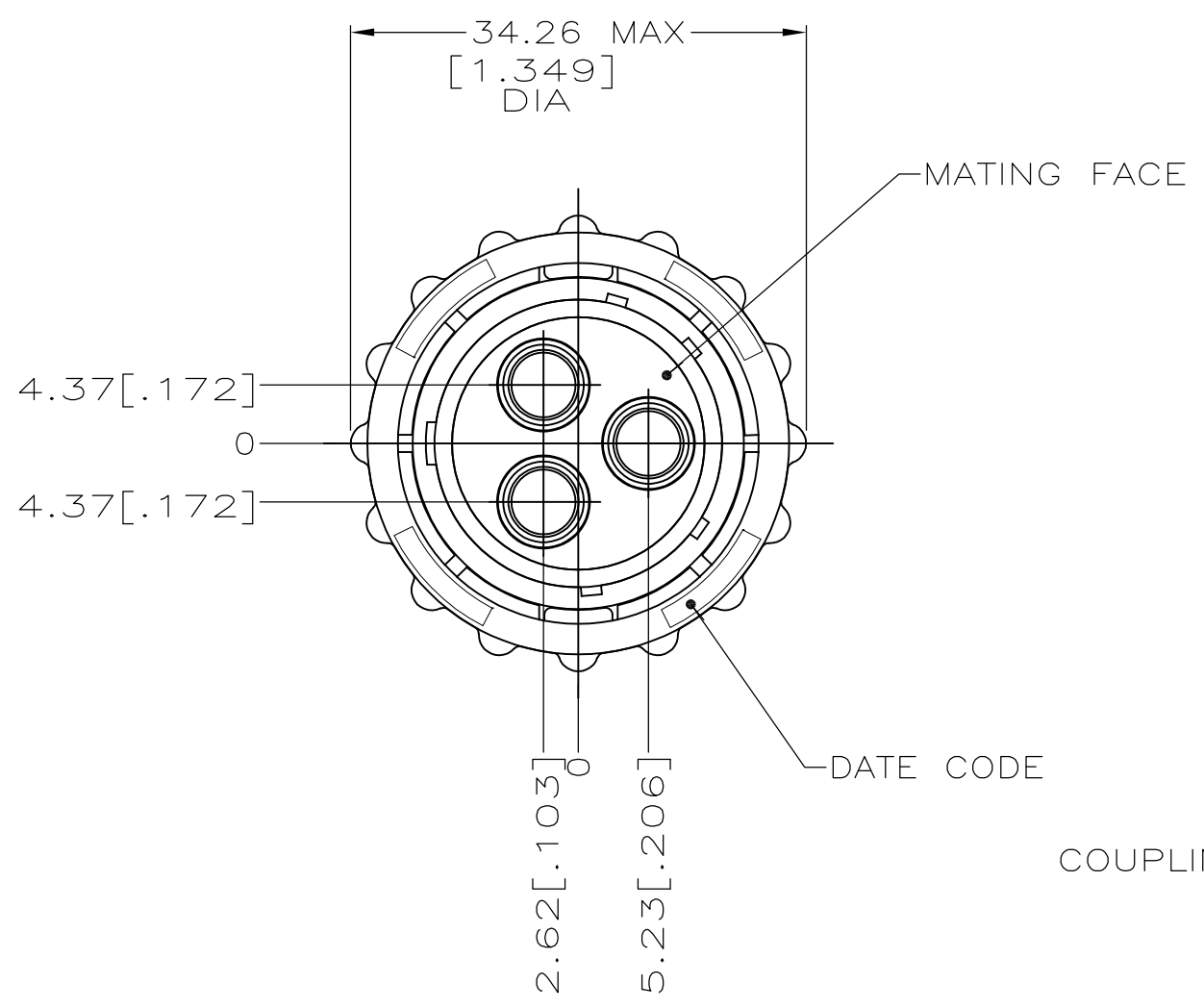
Tel: +86-755-8981 8866 Fax: +86-755-8427 6832

Email & Skype: info@chipsmall.com Web: www.chipsmall.com

Address: A1208, Overseas Decoration Building, #122 Zhenhua RD., Futian, Shenzhen, China



LOC	DIST	REVISIONS					
FT	0	P	LTR	DESCRIPTION	DATE	DWN	APVD
		D1		REVISED PER ECO-11-004917	11MAR11	RK	HMR



213905-1
PART NUMBER

⚠ HOUSING: GLASS FILLED NYLON, 6/6, BLACK
 COUPLING RING: POLYESTER, BLACK

THIS DRAWING IS A CONTROLLED DOCUMENT.		DWN D.HARDY 07/04/95	TE Connectivity	
DIMENSIONS: MM[INCHES]		CHK W.G.LENKER 07/05/95		
TOLERANCES UNLESS OTHERWISE SPECIFIED:		APVD A.FRANTUM 07/05/95	NAME PLUG ASSEMBLY, REVERSE SEX, 17-3, SERIES 5, CIRCULAR PLASTIC CONNECTOR	
		PRODUCT SPEC -	SIZE A3	
MATERIAL ⚠		FINISH -	CAGE CODE 00779	DRAWING NO C-213905
		WEIGHT -	RESTRICTED TO -	
CUSTOMER DRAWING			SCALE 2:1	SHEET 1 of 1
			REV D1	