



Chipsmall Limited consists of a professional team with an average of over 10 year of expertise in the distribution of electronic components. Based in Hongkong, we have already established firm and mutual-benefit business relationships with customers from,Europe,America and south Asia,supplying obsolete and hard-to-find components to meet their specific needs.

With the principle of “Quality Parts,Customers Priority,Honest Operation,and Considerate Service”,our business mainly focus on the distribution of electronic components. Line cards we deal with include Microchip,ALPS,ROHM,Xilinx,Pulse,ON,Everlight and Freescale. Main products comprise IC,Modules,Potentiometer,IC Socket,Relay,Connector.Our parts cover such applications as commercial,industrial, and automotives areas.

We are looking forward to setting up business relationship with you and hope to provide you with the best service and solution. Let us make a better world for our industry!



Contact us

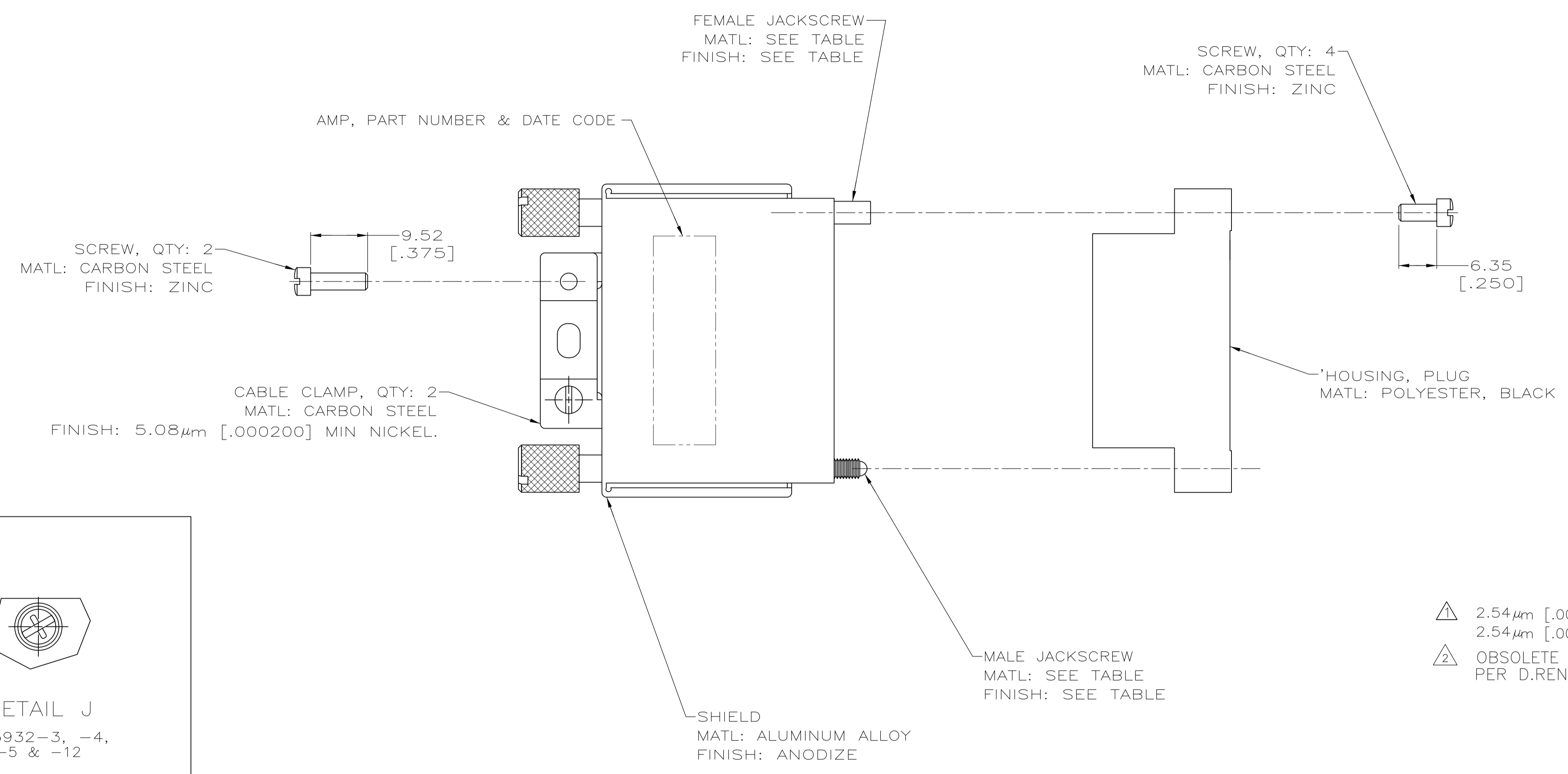
Tel: +86-755-8981 8866 Fax: +86-755-8427 6832

Email & Skype: info@chipsmall.com Web: www.chipsmall.com

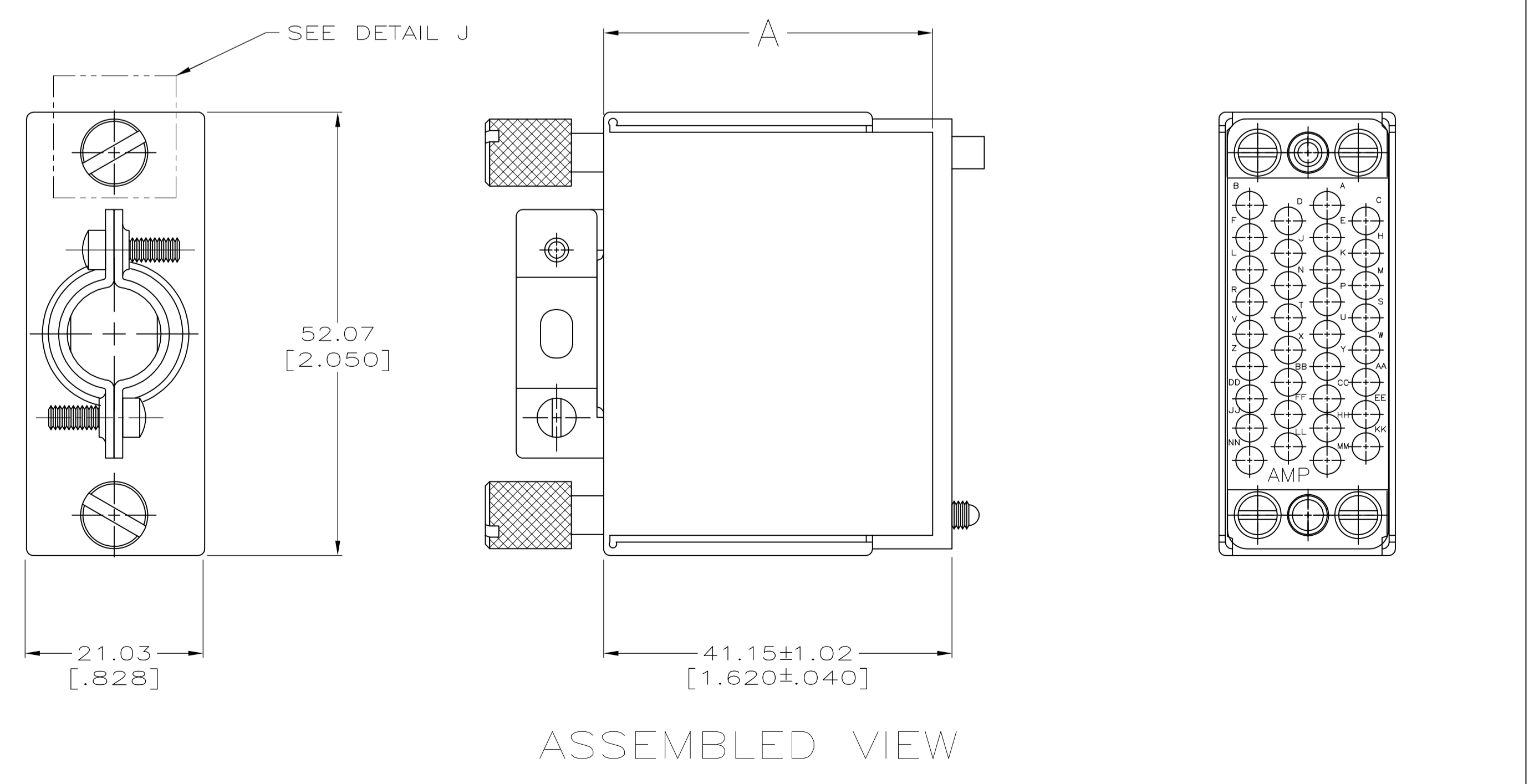
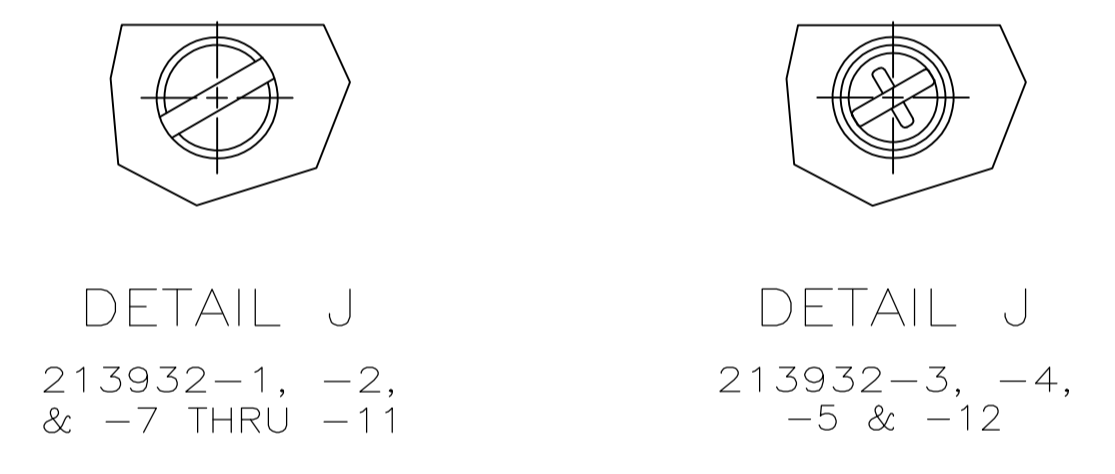
Address: A1208, Overseas Decoration Building, #122 Zhenhua RD., Futian, Shenzhen, China



LOC	DIST	REVISIONS					
FT	8	P	LTR	DESCRIPTION	DATE	DWN	APVD
		0		RLSE -1 PER NPR 5450 WAS 95-7965-1-1	12DEC95	DB	MM
		A		ADDED -2 PER EC 0020-1451-95	21 DEC 95	DH	MM
		B		REV PER EC 0020-54-96	05 FEB 96	CR	MRM
		C		REV PER EC 0020-118-96	15 FEB 96	KF	MM
		D		ADDED -3 PER EC 0020-135-96	15 FEB 96	KF	MM
		E		REV PER EC 020-197-96	26 FEB 96	DH	MM
		F		ADDED -4 PER EC 0020-387-96	18 APR 96	BC	MM
		G		ADDED -5 PER EC 0020-0482-96	10 MAY 96	CR	MRM
		H		REV PER EC 0320-27-97	29 JAN 97	CO	MM
		J		ADDED -7 THRU -12 PER EC 0320-28-97	20 AUG 97	BC	MM
		K		ADDED 1-3 PER EC 0G3B-0064-99	16 AUG 99	SW	RB
		K1		REVISED PER ECO-09-020689	28 AUG 99	KK	AEG



- ① 2.54µm [.000100] MIN NICKEL OVER
2.54µm [.000100] MIN COPPER.
- ② OBSOLETE PARTS: OBSOLETE CIS STREAMLINING PER D.RENAUD/D.SINISI



② OBSOLETE	38.86 [1.530]	7.62-11.43 [.300-.450]	BULK	-	STAINLESS STEEL	1-213932-3
② OBSOLETE	38.86 [1.530]	11.05-13.84 [.435-.545]	BULK	①	ZINC	1-213932-2
② OBSOLETE	38.86 [1.530]	5.08-7.62 [.200-.300]	INDIVIDUAL	-	STAINLESS STEEL	1-213932-1
② OBSOLETE	38.86 [1.530]	11.05-13.84 [.435-.545]	BULK	-	STAINLESS STEEL	1-213932-0
② OBSOLETE	50.04 [1.970]	7.62-11.43 [.300-.450]	INDIVIDUAL	-	STAINLESS STEEL	213932-9
② OBSOLETE	50.04 [1.970]	11.05-13.84 [.435-.545]	INDIVIDUAL	-	STAINLESS STEEL	213932-8
② OBSOLETE	38.86 [1.530]	11.05-13.84 [.435-.545]	INDIVIDUAL	-	STAINLESS STEEL	213932-7
② OBSOLETE	50.04 [1.970]	7.62-11.43 [.300-.450]	INDIVIDUAL	①	ZINC	213932-5
	38.86 [1.530]	7.62-11.43 [.300-.450]	INDIVIDUAL	①	ZINC	213932-4
	38.86 [1.530]	11.05-13.84 [.435-.545]	INDIVIDUAL	①	ZINC	213932-3
	38.86 [1.530]	7.62-11.43 [.300-.450]	INDIVIDUAL	-	STAINLESS STEEL	213932-2
② OBSOLETE	38.86 [1.530]	11.05-13.84 [.435-.545]	BULK	-	STAINLESS STEEL	213932-1
A		CABLE RANGE DIA	PACKAGING	FINISH	MATERIAL	PART NUMBER
				JACKSCREWS		

THIS DRAWING IS A CONTROLLED DOCUMENT FOR AMP INCORPORATED.
 IF IT IS SUBJECT TO CHANGE AND THE CONTROLLING ENGINEERING
 ORGANIZATION SHOULD BE CONTACTED FOR THE LATEST REVISION.

DIMENSIONS:
mm [INCHES]

TOLERANCES UNLESS
OTHERWISE SPECIFIED:

0	PLC	±	
1	PLC	±	
2	PLC	±0.76 [0.030]	
3	PLC	±	
4	PLC	±	
	ANGLES	±	

MATERIAL: SEE CALLOUTS
 FINISH: SEE CALLOUTS

DWN: D.BROCKWAY 12DEC95
 CHK: C.DORWART 12DEC95
 APVD: M.MCALONIS 13DEC95

AMP Incorporated
 Harrisburg, PA 17105-3608

CONNECTOR KIT, UNASSEMBLED, PLUG,
 34 POSITION, M SERIES

SIZE: A1
 CAGE CODE: 00779
 DRAWING NO: 213932

CUSTOMER DRAWING
 SCALE: 2:1
 SHEET: 1 OF 1
 REV: K1