



Chipsmall Limited consists of a professional team with an average of over 10 year of expertise in the distribution of electronic components. Based in Hongkong, we have already established firm and mutual-benefit business relationships with customers from,Europe,America and south Asia,supplying obsolete and hard-to-find components to meet their specific needs.

With the principle of “Quality Parts,Customers Priority,Honest Operation,and Considerate Service”,our business mainly focus on the distribution of electronic components. Line cards we deal with include Microchip,ALPS,ROHM,Xilinx,Pulse,ON,Everlight and Freescale. Main products comprise IC,Modules,Potentiometer,IC Socket,Relay,Connector.Our parts cover such applications as commercial,industrial, and automotives areas.

We are looking forward to setting up business relationship with you and hope to provide you with the best service and solution. Let us make a better world for our industry!



Contact us

Tel: +86-755-8981 8866 Fax: +86-755-8427 6832

Email & Skype: info@chipsmall.com Web: www.chipsmall.com

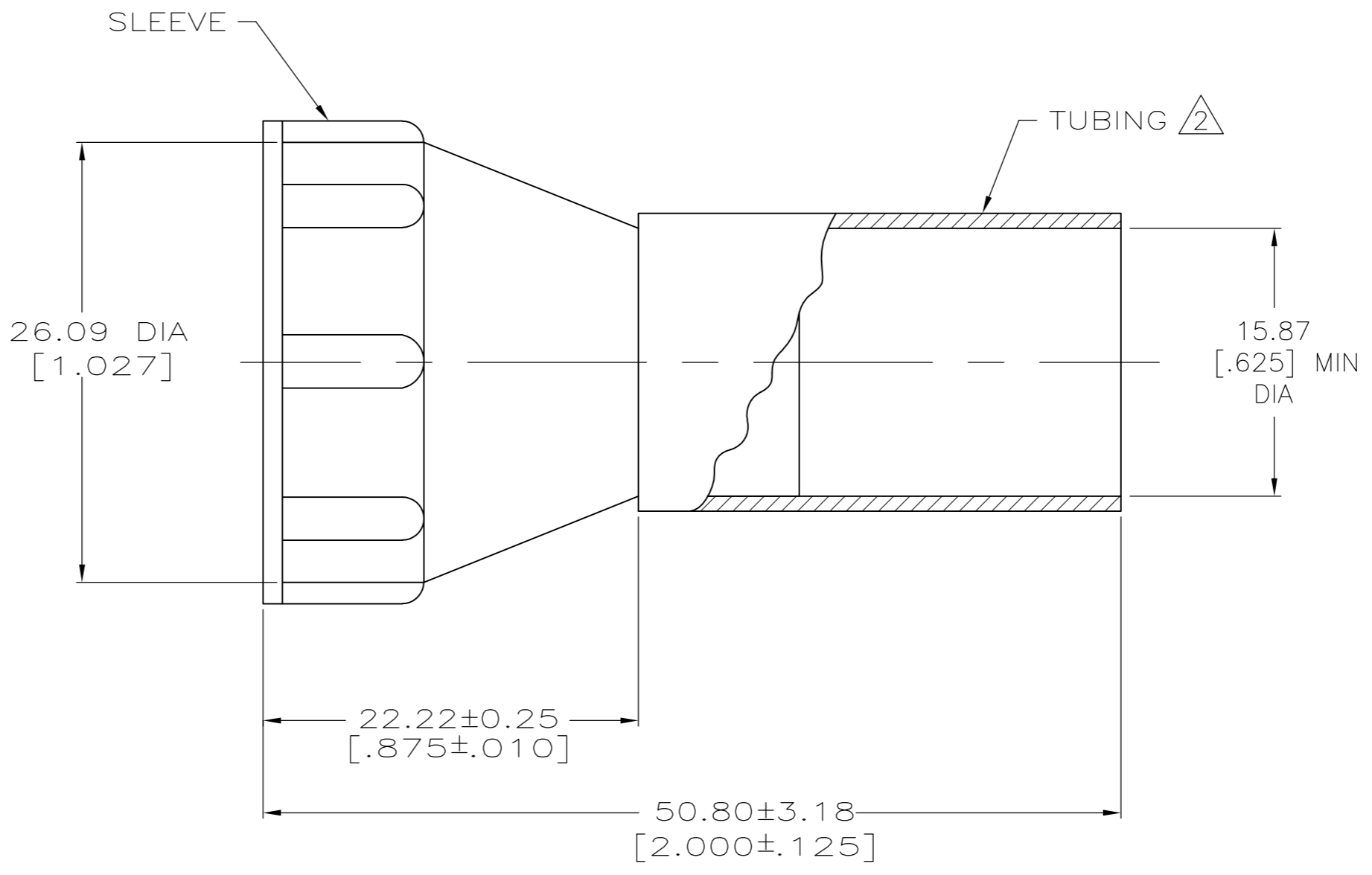
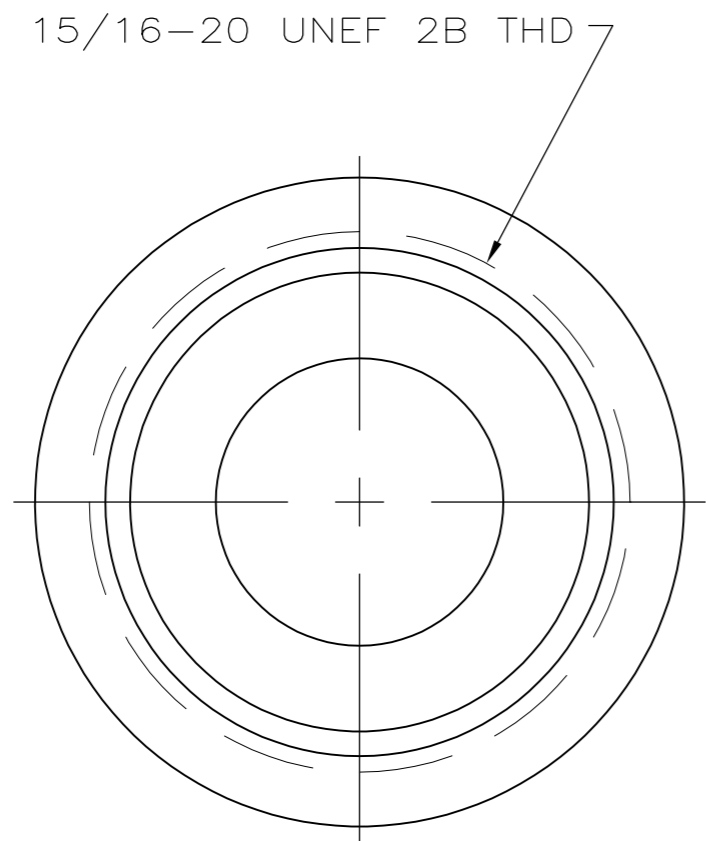
Address: A1208, Overseas Decoration Building, #122 Zhenhua RD., Futian, Shenzhen, China



THIS DRAWING IS UNPUBLISHED. RELEASED FOR PUBLICATION
 © COPYRIGHT BY TYCO ELECTRONICS CORPORATION. ALL RIGHTS RESERVED.

LOC	DIST	REVISIONS					
FT	0	P	LTR	DESCRIPTION	DATE	DWN	APVD
		C		REVISED PER ECO-07-010208	5/1/07	SS	SH

NOTES:
 ① TUBING: POLYOLEFIN, 94V2 RATED.
 SLEEVE: NYLON, BLACK.
 ② ACTUAL SHAPE MAY VARY DUE TO PROCESS VARIANCE.



THIS DRAWING IS A CONTROLLED DOCUMENT.		DWN	W.G.LENKER	19 MAR 96	 Tyco Electronics Corporation Harrisburg, PA 17105-3608
DIMENSIONS: mm [INCHES]		CHK	R.STONE	19 MAR 96	
TOLERANCES UNLESS OTHERWISE SPECIFIED:		APVD	A.FRANTUM	20 MAR 96	
0 PLC ± - 1 PLC ± - 2 PLC ± 0.13[.005] 3 PLC ± - 4 PLC ± - ANGLES ± -		PRODUCT SPEC	NAME		
MATERIAL - ①		FINISH	-		STRAIN RELIEF ASSEMBLY, SHELL SIZE 17, CPC
-		WEIGHT	-		SIZE A2 CAGE CODE 00779 DRAWING NO C=213933 RESTRICTED TO -
-		CUSTOMER DRAWING	SCALE	NTS	SHEET 1 OF 1 REV C